

## TFS4F Standard Compressor R134a 115-127V 60Hz

### General

Code number (pre-assembled RSIR start equipment)	102G3411
Approvals	UL984
Compressors on pallet	100

### Application

Application	LBP			
Frequency	Hz	50	60	
Evaporating temperature	°F	-	-31 to 14	
Voltage range	V	-	95 - 135	
Max. condensing temperature continuous (short)	°F	-	140 (158)	
Max. winding temperature continuous (short)	°F	-	257 (257)	

### Cooling requirements

Frequency	Hz	50			60		
Application		LBP	MBP	HBP	LBP	MBP	HBP
90°F		-	-	-	S	-	-
100°F		-	-	-	S	-	-
110°F		-	-	-	S	-	-
Remarks on application:							

### Motor

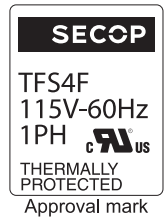
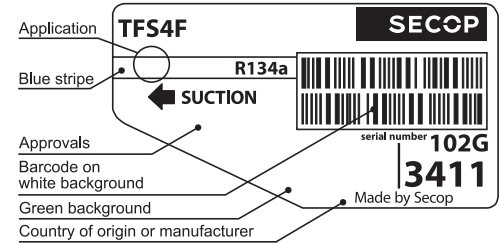
Motor type	RSIR		
LRA (rated after 4 sec. UL984), HST   LST	A	-	18.9
Cut in Current, HST   LST	A	-	18.9
Resistance, main   start winding (77°F)	Ω	3.8	7.8

### Design

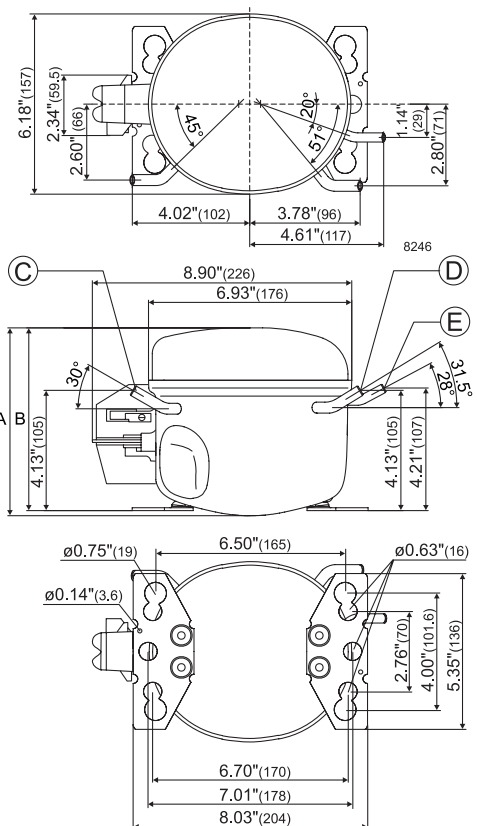
Displacement	cu.in	0.23
Oil quantity (type)	fl.oz.	6.1 (polyolester)
Maximum refrigerant charge	oz.	14.0
Free gas volume in compressor	fl.oz.	60.6
Weight without electrical equipment	lbs.	16.5

### Dimensions

Height	inch	A	6.81
		B	6.65
		B1	-
		B2	-
Suction connector	location, I.D. in.   angle	C	0.252-0.259   30°
	material   comment		Copper   Rubber plug
Process connector	location, I.D. in.   angle	D	0.252-0.259   31.5°
	material   comment		Copper   Rubber plug
Discharge connector	location, I.D. in.   angle	E	0.202-0.205   28°
	material   comment		Copper   Rubber plug
Oil cooler connector	location, I.D. in.   angle	F	-
	material   comment		-
Remarks:			



- S = Static cooling normally sufficient
- O = Oil cooling
- F<sub>1</sub> = Fan cooling 1.5 m/s (compressor compartment temperature equal to ambient temperature)
- F<sub>2</sub> = Fan cooling 3.0 m/s necessary
- SG = Suction gas cooling normally sufficient
- = not applicable in this area



**ASHRAE LBP**

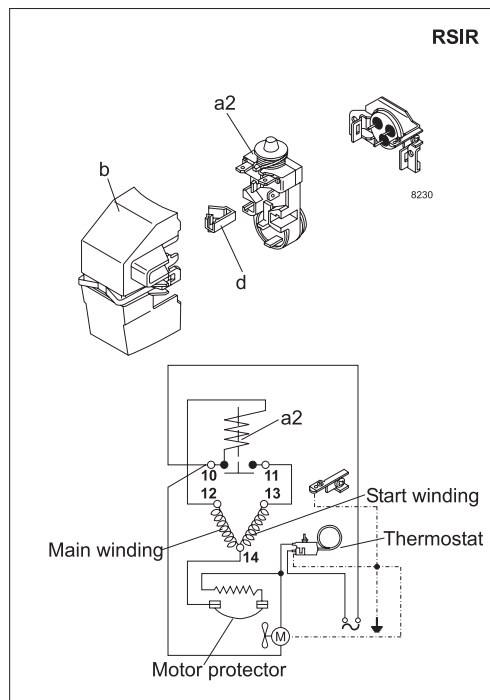
115V, 60Hz, static cooling

Evap. temp. in °F	-49	-40	-30	-20	-13	-10	0	10	14	20	30	40	41	45	50	59	68
Capacity in BTU/h			155	237	315	355	506	697	782								
Power cons. in W			60	79	92	97	114	132	139								
Current cons. in A			1.46	1.53	1.59	1.62	1.71	1.82	1.87								
EER in BTU/Wh			2.58	3.00	3.44	3.66	4.43	5.28	5.62								

**EN 12900 Household (CECOMAF)**

115V, 60Hz, static cooling

Evap. temp. in °F	-49	-40	-30	-20	-13	-10	0	10	14	20	30	40	41	45	50	59	68
Capacity in W			37	56	75	85	120	166	186								
Power cons. in W			60	79	92	97	114	132	139								
Current cons. in A			1.46	1.53	1.59	1.62	1.71	1.82	1.87								
COP in W/W			0.61	0.71	0.82	0.87	1.05	1.26	1.34								



Accessories for TFS4F (pre-assembled RSIR start equipment)	Figure	Code number
Starting relay (protector incl.)		117U4122
Protector 3/4" Texas Instruments	a2	MRP57JK-6
Protector 3/4" Electrica		T 0727/06
Cover	b	117U1021
Cord relief	d	117U0349

Test conditions	ASHRAE LBP	EN 12900/CECOMAF
Condensing temp.	130°F	131°F
Ambient temp.	90°F	90°F
Suction gas temp.	90°F	90°F
Liquid temperature	90°F	131°F

Mounting accessories	Code number
Bolt joint for one comp. Ø: 5/8 in.	118-1917
Bolt joint in quantities Ø: 5/8 in.	118-1918
Snap-on in quantities Ø: 5/8 in.	118-1919

Secop accepts no responsibility for possible errors in catalogs, brochures, and other printed material. Secop reserves the right to alter its products without notice. This also applies to products already on order provided that such alterations can be made without subsequential changes being necessary to specifications already agreed. All trademarks in this material are the property of the respective companies. Secop and the Secop logotype are trademarks of Secop GmbH. All rights reserved. [www.secop.com](http://www.secop.com)