

TL2.5G Universal Compressor R134a 115V 60Hz

General

Code number	102G3257
Approvals	UL984
Compressors on pallet	125

Application

Application	LBP/HBP			
	Hz	50	60	
Frequency	Hz	50	60	
Evaporating temperature	°F	-	-13 to 59	
Voltage range	V	-	103 - 127	
Max. condensing temperature continuous (short)	°F	-	140 (158)	
Max. winding temperature continuous (short)	°F	-	257 (275)	

Cooling requirements

Frequency	Hz	50			60		
		LBP	MBP	HBP	LBP	MBP	HBP
90°F		-	-	-	S	S	S
100°F		-	-	-	S	S	S
110°F		-	-	-	S	S	S
Remarks on application:							

Motor

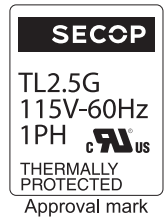
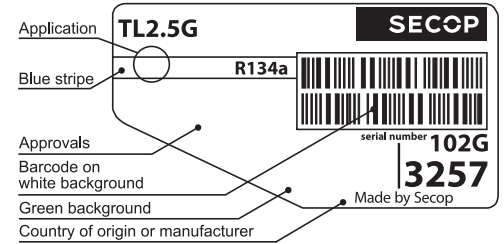
Motor type	RSIR		
LRA (rated after 4 sec. UL984), HST LST	A	-	7.0
Cut in Current, HST LST	A	-	16.0
Resistance, main start winding (77°F)	Ω	5.3	4.9

Design

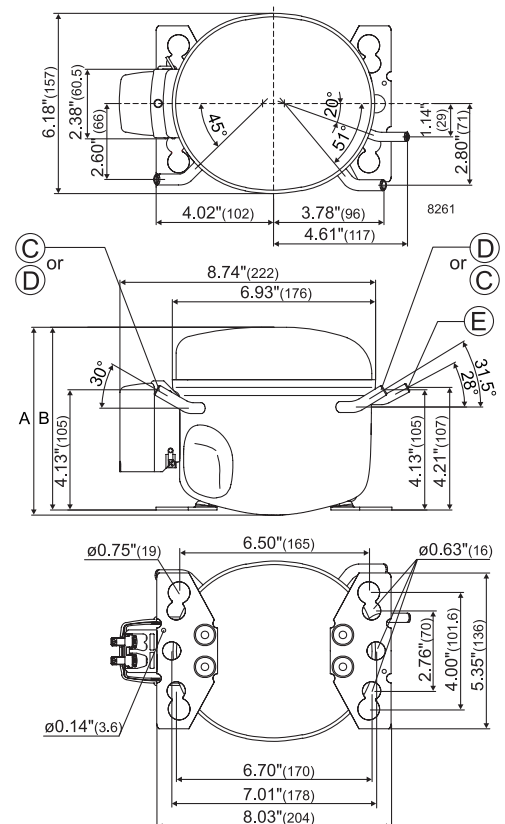
Displacement	cu.in	0.16
Oil quantity (type)	fl.oz.	9.5 (polyolester)
Maximum refrigerant charge	oz.	14.0
Free gas volume in compressor	fl.oz.	54.3
Weight without electrical equipment	lbs.	14.7

Dimensions

Height	inch	A	6.42
		B	6.26
		B1	-
		B2	-
Suction connector	location, I.D. in. angle	C	0.252-0.259 30°
	material comment		Copper Rubber plug
Process connector	location, I.D. in. angle	D	0.252-0.259 31.5°
	material comment		Copper Rubber plug
Discharge connector	location, I.D. in. angle	E	0.202-0.205 28°
	material comment		Copper Rubber plug
Oil cooler connector	location, I.D. in. angle	F	-
	material comment		-
Remarks:			



- S = Static cooling normally sufficient
- O = Oil cooling
- F₁ = Fan cooling 1.5 m/s (compressor compartment temperature equal to ambient temperature)
- F₂ = Fan cooling 3.0 m/s necessary
- SG = Suction gas cooling normally sufficient
- = not applicable in this area



ASHRAE LBP

115V, 60Hz, static cooling

Evap. temp. in °F	-49	-40	-30	-20	-13	-10	0	10	14	20	30	32	40	45	50	59	68
Capacity in BTU/h					170	190	279	402	463	557	746	791	969	1093	1226	1488	
Power cons. in W					69	72	81	91	95	101	113	115	124	131	137	149	
Current cons. in A					1.22	1.23	1.28	1.34	1.36	1.41	1.48	1.49	1.56	1.60	1.64	1.73	
EER in BTU/Wh					2.46	2.66	3.46	4.43	4.87	5.50	6.63	6.89	7.79	8.36	8.94	9.97	

ASHRAE HBP

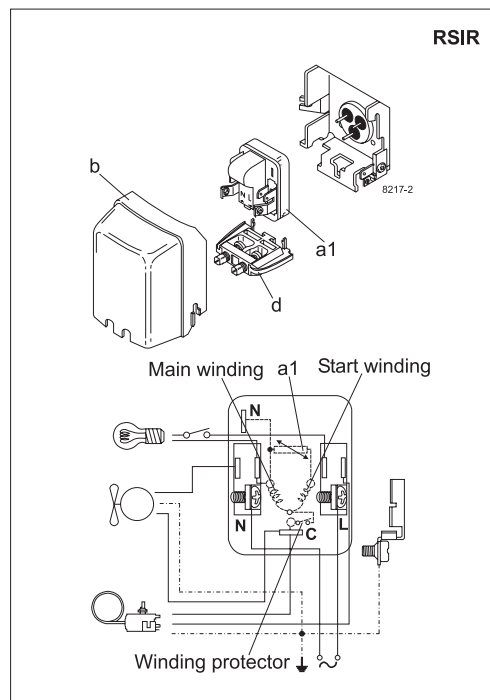
115V, 60Hz, static cooling

Evap. temp. in °F	-49	-40	-30	-20	-13	-10	0	10	14	20	30	32	40	45	50	59	68
Capacity in BTU/h					150	169	248	356	412	493	660	702	857	966	1083	1312	
Power cons. in W					69	72	81	91	95	101	113	115	124	131	137	149	
Current cons. in A					1.22	1.23	1.28	1.34	1.36	1.41	1.48	1.49	1.56	1.60	1.64	1.73	
EER in BTU/Wh					2.18	2.36	3.07	3.92	4.36	4.87	5.87	6.14	6.88	7.39	7.89	8.79	

EN 12900 Household (CECOMAF)

115V, 60Hz, static cooling

Evap. temp. in °F	-49	-40	-30	-20	-13	-10	0	10	14	20	30	32	40	45	50	59	68
Capacity in W					41	45	67	96	108	133	178	186	231	260	291	353	
Power cons. in W					69	72	81	91	95	101	113	115	124	131	137	149	
Current cons. in A					1.22	1.23	1.28	1.34	1.37	1.41	1.48	1.50	1.56	1.60	1.64	1.73	
COP in W/W					0.59	0.64	0.83	1.06	1.14	1.31	1.58	1.61	1.85	1.99	2.12	2.36	



Accessories for	TL2.5G	Figure	Code number	Test conditions	ASHRAE LBP	ASHRAE HBP	EN 12900/CECOMAF
PTC starting device	1/4 in. spade connect.	a1	103N0026	Condensing temp.	130°F	130°F	131°F
	3/16 in. spade connect.		103N0023	Ambient temp.	90°F	95°F	90°F
Cover		b	103N2011	Suction gas temp.	90°F	95°F	90°F
Cord relief		d	103N1010	Liquid temperature	90°F	115°F	131°F

Mounting accessories		Code number
Bolt joint for one comp.	Ø: 5/8 in.	118-1917
Bolt joint in quantities	Ø: 5/8 in.	118-1918
Snap-on in quantities	Ø: 5/8 in.	118-1919

Nidec GA Compressors accepts no responsibility for possible errors in catalogs, brochures, and other printed material. Nidec GA Compressors reserves the right to alter its products without notice. This also applies to products already on order provided that such alterations can be made without consequential changes being necessary to specifications already agreed. All trademarks in this material are the property of the respective companies. Secop and the Secop logotype are trademarks of Nidec Global Appliance Germany GmbH. All rights reserved. www.secop.com