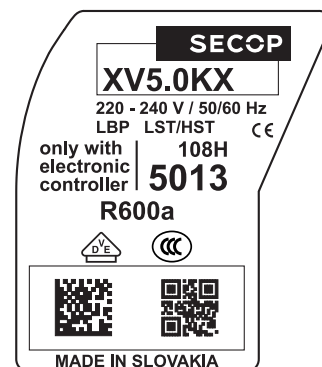


XV5.0KX Variable Speed Drive Compressor R600a 220-240V 50/60Hz



General

Code number	108H5013
Electronic unit (attached) - XV-AEO/Freq. Inputs: Modbus, thermostat, frequency signal	105N5022, 50 pcs: 105N5023
Electronic unit (detached) - XV-Frequency Input: Frequency signal (connector cable assembly req'd)	105N5052, 50 pcs: 105N5053
Electronic unit (attached, PFC) - XV-AEO/Freq. Inputs: Modbus, thermostat, frequency signal	105N5320, 50 pcs: 105N5321
Approvals	EN 60335-2-34 w. Annex AA (VDE), GB 4706.17 (CCC/CQC)
Compressors on pallet	175
Remarks: In AEO (Adaptive Energy Optimizing) speed mode the XV compressor will always adapt its speed to the actual cooling demand. PFC = power factor correction according to EN 61000-3-2:2014	



yellow warning label is placed separately



Application

Application	Hz	LBP/MBP	
		50	60
Frequency	Hz	50	60
Evaporating temperature	°C	-35 to 5	-35 to 5
Voltage range	V	160 - 264	160 - 264
Max. condensing temperature continuous (short)	°C	60 (70)	60 (70)
Max. winding temperature continuous (short)	°C	125 (135)	125 (135)

- S = Static cooling normally sufficient
- O = Oil cooling
- F₁ = Fan cooling 1.5 m/s
(compressor compartment temperature equal to ambient temperature)
- F₂ = Fan cooling 3.0 m/s necessary
- SG = Suction gas cooling normally sufficient
- = not applicable in this area

Cooling requirements

Frequency	Hz	50			60		
		LBP	MBP	HBP	LBP	MBP	HBP
32°C		S	S	-	S	S	-
38°C		S	S	-	S	S	-
43°C		S	S	-	S	S	-

Remarks: HST capable (High starting torque, start against differential pressure)
All measured performance data include losses caused by electronic unit.

Features

Speed range	rpm	1000 - 4000
Protections		current / speed / temperature
External speed control		frequency signal 5V, 0-200Hz

Motor

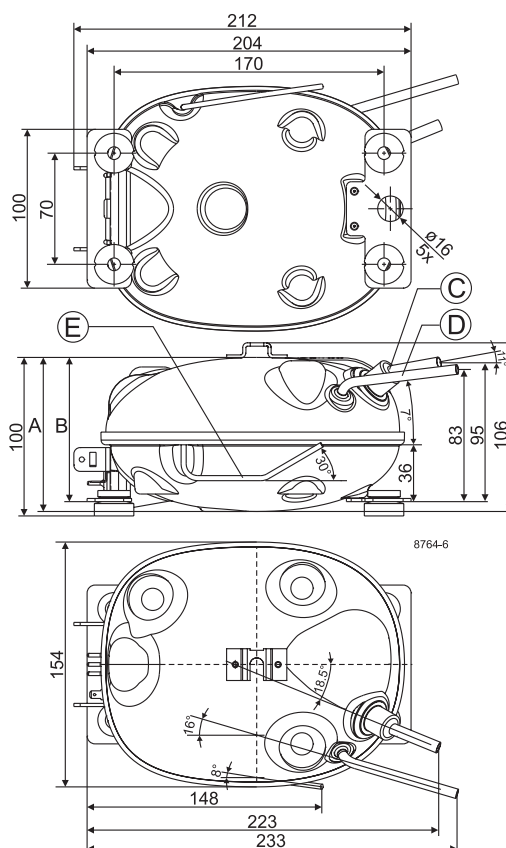
Motor type		permanent magnet
LRA (rated after 4 sec. UL984)	A	electronic cut off
Maximum current	A	2.5
Resistance, all 3 windings (25°C)	Ω	10.0

Design

Displacement	cm ³	5.0
Oil quantity (type)	cm ³	115 (5 cSt mineral)
Maximum refrigerant charge	g	150
Free gas volume in compressor	cm ³	900
Weight	kg	4.8

Dimensions

Height	mm	A	97.0
		B	91.0
Suction connector	location/I.D. mm angle	C	6.2 12°
	material comment		Copper Rubber plug
Process connector	location/O.D. mm angle	D	6.0 7°
	material comment		Copper Rubber plug
Discharge connector	location/O.D. mm angle	E	3.2 30°
	material comment		Cu-plated steel Rubber plug
Connector tolerance	mm		6.2 ±0.09, 6.0 ±0.1, 3.2 ±0.05



1000 rpm EN 12900 Household/CECOMAF, condensing temperature 35°C (95°F), 220V, 50/60Hz, static cooling

Evap. temp. in °C	-45	-40	-35	-30	-25	-23.3	-20	-15	-10	-6.7	-5	0	5	7.2	10
Capacity in W			14.9	18.6	27.8	31.6	39.4	51.4	62.9	70.2	74.1	86.1	101.5		
Power cons. in W			9.6	10.1	13.1	14.2	16.1	18.1	19.3	19.7	20.0	21.1	23.7		
Current cons. in A			0.06	0.09	0.13	0.14	0.16	0.19	0.20	0.21	0.21	0.22	0.24		
Cons. w/ PFC in A			0.04	0.06	0.08	0.09	0.10	0.12	0.13	0.13	0.14	0.15	0.15		
COP in W/W			1.55	1.84	2.13	2.23	2.45	2.83	3.27	3.56	3.71	4.08	4.29		

1200 rpm EN 12900 Household/CECOMAF, condensing temperature 35°C (95°F), 220V, 50/60Hz, static cooling

Evap. temp. in °C	-45	-40	-35	-30	-25	-23.3	-20	-15	-10	-6.7	-5	0	5	7.2	10
Capacity in W			18.2	23.2	34.0	38.3	47.3	61.3	75.1	84.1	88.9	104.0	122.8		
Power cons. in W			11.8	12.6	16.0	17.2	19.3	21.7	23.1	23.8	24.1	25.7	28.9		
Current cons. in A			0.08	0.12	0.16	0.17	0.19	0.22	0.24	0.24	0.25	0.26	0.28		
Cons. w/ PFC in A			0.05	0.08	0.10	0.11	0.12	0.14	0.15	0.16	0.16	0.17	0.18		
COP in W/W			1.54	1.84	2.13	2.23	2.45	2.83	3.25	3.54	3.68	4.05	4.25		

1400 rpm EN 12900 Household/CECOMAF, condensing temperature 35°C (95°F), 220V, 50/60Hz, static cooling

Evap. temp. in °C	-45	-40	-35	-30	-25	-23.3	-20	-15	-10	-6.7	-5	0	5	7.2	10
Capacity in W			22.2	28.3	40.4	45.3	55.3	71.2	87.1	97.6	103.2	121.1	143.2		
Power cons. in W			14.4	15.4	19.0	20.3	22.6	25.3	26.9	27.8	28.2	30.1	33.9		
Current cons. in A			0.11	0.14	0.18	0.20	0.22	0.25	0.27	0.28	0.28	0.30	0.33		
Cons. w/ PFC in A			0.07	0.10	0.12	0.13	0.14	0.16	0.17	0.18	0.18	0.20	0.21		
COP in W/W			1.54	1.84	2.13	2.23	2.45	2.82	3.24	3.52	3.66	4.02	4.22		

1600 rpm EN 12900 Household/CECOMAF, condensing temperature 35°C (95°F), 220V, 50/60Hz, static cooling

Evap. temp. in °C	-45	-40	-35	-30	-25	-23.3	-20	-15	-10	-6.7	-5	0	5	7.2	10
Capacity in W			26.3	33.3	46.6	52.0	63.0	80.5	98.4	110.4	116.8	137.2	162.3		
Power cons. in W			17.2	18.2	21.9	23.3	25.8	28.6	30.5	31.5	32.1	34.4	38.7		
Current cons. in A			0.13	0.17	0.21	0.23	0.25	0.29	0.31	0.31	0.32	0.33	0.37		
Cons. w/ PFC in A			0.08	0.11	0.14	0.15	0.16	0.18	0.19	0.20	0.21	0.22	0.23		
COP in W/W			1.53	1.84	2.12	2.23	2.44	2.81	3.22	3.50	3.64	3.99	4.20		

1800 rpm EN 12900 Household/CECOMAF, condensing temperature 35°C (95°F), 220V, 50/60Hz, static cooling

Evap. temp. in °C	-45	-40	-35	-30	-25	-23.3	-20	-15	-10	-6.7	-5	0	5	7.2	10
Capacity in W			30.4	38.1	52.4	58.1	70.0	89.1	108.7	122.0	129.1	151.9	179.7		
Power cons. in W			20.0	20.8	24.7	26.1	28.7	31.8	33.9	35.1	35.7	38.3	43.1		
Current cons. in A			0.16	0.19	0.24	0.25	0.28	0.32	0.34	0.35	0.35	0.37	0.41		
Cons. w/ PFC in A			0.10	0.13	0.15	0.16	0.18	0.20	0.21	0.22	0.22	0.24	0.25		
COP in W/W			1.52	1.83	2.12	2.22	2.44	2.80	3.21	3.48	3.62	3.97	4.17		

2000 rpm EN 12900 Household/CECOMAF, condensing temperature 35°C (95°F), 220V, 50/60Hz, static cooling

Evap. temp. in °C	-45	-40	-35	-30	-25	-23.3	-20	-15	-10	-6.7	-5	0	5	7.2	10
Capacity in W			34.1	42.3	57.4	63.6	76.2	96.7	117.9	132.5	140.3	165.2	195.5		
Power cons. in W			22.6	23.3	27.2	28.7	31.4	34.6	37.0	38.3	39.0	41.9	47.1		
Current cons. in A			0.18	0.22	0.26	0.28	0.31	0.35	0.37	0.38	0.38	0.40	0.44		
Cons. w/ PFC in A			0.11	0.14	0.17	0.18	0.19	0.21	0.23	0.24	0.24	0.26	0.27		
COP in W/W			1.51	1.82	2.11	2.22	2.43	2.79	3.19	3.46	3.60	3.94	4.15		

3000 rpm EN 12900 Household/CECOMAF, condensing temperature 35°C (95°F), 220V, 50/60Hz, static cooling

Evap. temp. in °C	-45	-40	-35	-30	-25	-23.3	-20	-15	-10	-6.7	-5	0	5	7.2	10
Capacity in W			45.1	54.8	73.4	81.0	97.2	124.1	152.9	173.1	183.9	218.4	259.1		
Power cons. in W			32.0	32.0	36.6	38.5	42.0	46.5	50.1	52.2	53.3	57.5	64.2		
Current cons. in A			0.29	0.32	0.37	0.39	0.43	0.48	0.50	0.51	0.52	0.54	0.60		
Cons. w/ PFC in A			0.19	0.23	0.26	0.27	0.29	0.32	0.35	0.36	0.37	0.39	0.40		
COP in W/W			1.41	1.71	2.00	2.11	2.32	2.67	3.05	3.31	3.45	3.80	4.03		

4000 rpm EN 12900 Household/CECOMAF, condensing temperature 35°C (95°F), 220V, 50/60Hz, static cooling

Evap. temp. in °C	-45	-40	-35	-30	-25	-23.3	-20	-15	-10	-6.7	-5	0	5	7.2	10
Capacity in W			61.7	78.2	106.2	117.5	141.4	181.1	223.9	253.6	269.4	318.9	374.9		
Power cons. in W			43.8	47.3	55.8	59.0	64.8	72.3	78.1	81.4	83.1	88.8	97.2		
Current cons. in A			0.41	0.46	0.55	0.59	0.65	0.72	0.78	0.80	0.81	0.86	0.95		
Cons. w/ PFC in A			0.26	0.31	0.36	0.38	0.41	0.46	0.50	0.52	0.53	0.55	0.56		
COP in W/W			1.41	1.65	1.90	1.99	2.18	2.50	2.87	3.11	3.24	3.59	3.86		

1000 rpm EN 12900 Household/CECOMAF, condensing temperature 45°C (113°F), 220V, 50/60Hz, static cooling

Evap. temp. in °C	-45	-40	-35	-30	-25	-23.3	-20	-15	-10	-6.7	-5	0	5	7.2	10
Capacity in W			10.2	13.8	22.4	25.8	32.9	43.3	52.8	58.6	61.6	71.1	83.7		
Power cons. in W			7.9	9.2	13.3	14.7	17.2	19.6	20.6	20.9	21.1	22.0	24.7		
Current cons. in A			0.09	0.11	0.14	0.15	0.17	0.20	0.21	0.22	0.23	0.24	0.28		
Cons. w/ PFC in A			0.06	0.07	0.09	0.10	0.11	0.12	0.13	0.14	0.15	0.17	0.18		
COP in W/W			1.30	1.50	1.68	1.76	1.92	2.21	2.56	2.80	2.92	3.24	3.40		

1200 rpm EN 12900 Household/CECOMAF, condensing temperature 45°C (113°F), 220V, 50/60Hz, static cooling

Evap. temp. in °C	-45	-40	-35	-30	-25	-23.3	-20	-15	-10	-6.7	-5	0	5	7.2	10
Capacity in W			11.7	16.8	27.0	31.1	39.4	51.8	63.5	70.8	74.6	86.8	102.5		
Power cons. in W			9.0	11.2	15.9	17.6	20.4	23.3	24.8	25.3	25.6	27.0	30.4		
Current cons. in A			0.10	0.13	0.16	0.18	0.20	0.23	0.25	0.26	0.27	0.29	0.33		
Cons. w/ PFC in A			0.07	0.09	0.11	0.11	0.12	0.14	0.16	0.17	0.18	0.19	0.21		
COP in W/W			1.30	1.50	1.70	1.77	1.93	2.22	2.56	2.80	2.92	3.22	3.37		

1400 rpm EN 12900 Household/CECOMAF, condensing temperature 45°C (113°F), 220V, 50/60Hz, static cooling

Evap. temp. in °C	-45	-40	-35	-30	-25	-23.3	-20	-15	-10	-6.7	-5	0	5	7.2	10
Capacity in W			14.2	20.5	32.2	36.8	46.2	60.4	74.0	82.8	87.3	101.8	120.2		
Power cons. in W			11.0	13.6	18.8	20.6	23.7	27.0	28.8	29.6	30.0	31.8	35.8		
Current cons. in A			0.12	0.15	0.19	0.20	0.23	0.27	0.29	0.30	0.31	0.33	0.38		
Cons. w/ PFC in A			0.08	0.10	0.12	0.13	0.14	0.16	0.18	0.20	0.20	0.22	0.25		
COP in W/W			1.29	1.51	1.71	1.79	1.95	2.24	2.57	2.80	2.91	3.21	3.36		

1600 rpm EN 12900 Household/CECOMAF, condensing temperature 45°C (113°F), 220V, 50/60Hz, static cooling

Evap. temp. in °C	-45	-40	-35	-30	-25	-23.3	-20	-15	-10	-6.7	-5	0	5	7.2	10
Capacity in W			17.3	24.6	37.5	42.6	52.9	68.7	84.0	94.0	99.2	115.8	136.4		
Power cons. in W			13.4	16.2	21.8	23.7	26.9	30.5	32.6	33.6	34.1	36.2	40.8		
Current cons. in A			0.14	0.17	0.22	0.23	0.26	0.30	0.33	0.34	0.35	0.37	0.43		
Cons. w/ PFC in A			0.09	0.11	0.14	0.15	0.16	0.18	0.20	0.22	0.23	0.25	0.27		
COP in W/W			1.29	1.52	1.72	1.80	1.96	2.25	2.58	2.80	2.91	3.20	3.35		

1800 rpm EN 12900 Household/CECOMAF, condensing temperature 45°C (113°F), 220V, 50/60Hz, static cooling

Evap. temp. in °C	-45	-40	-35	-30	-25	-23.3	-20	-15	-10	-6.7	-5	0	5	7.2	10
Capacity in W			20.8	28.7	42.6	48.0	59.1	76.3	93.2	104.2	110.0	128.4	151.0		
Power cons. in W			16.2	18.9	24.6	26.5	30.0	33.8	36.1	37.2	37.8	40.3	45.2		
Current cons. in A			0.16	0.19	0.24	0.26	0.29	0.33	0.36	0.38	0.38	0.41	0.47		
Cons. w/ PFC in A			0.10	0.13	0.15	0.16	0.18	0.20	0.22	0.24	0.25	0.27	0.30		
COP in W/W			1.29	1.52	1.73	1.81	1.97	2.26	2.58	2.80	2.91	3.19	3.34		

2000 rpm EN 12900 Household/CECOMAF, condensing temperature 45°C (113°F), 220V, 50/60Hz, static cooling

Evap. temp. in °C	-45	-40	-35	-30	-25	-23.3	-20	-15	-10	-6.7	-5	0	5	7.2	10
Capacity in W			24.3	32.5	47.2	52.9	64.7	83.1	101.3	113.3	119.6	139.6	163.8		
Power cons. in W			19.0	21.5	27.2	29.2	32.7	36.7	39.2	40.5	41.2	43.8	49.1		
Current cons. in A			0.19	0.22	0.27	0.29	0.32	0.37	0.40	0.41	0.42	0.45	0.51		
Cons. w/ PFC in A			0.12	0.14	0.17	0.18	0.19	0.22	0.25	0.26	0.27	0.30	0.33		
COP in W/W			1.28	1.52	1.74	1.81	1.98	2.26	2.58	2.80	2.91	3.18	3.34		

3000 rpm EN 12900 Household/CECOMAF, condensing temperature 45°C (113°F), 220V, 50/60Hz, static cooling

Evap. temp. in °C	-45	-40	-35	-30	-25	-23.3	-20	-15	-10	-6.7	-5	0	5	7.2	10
Capacity in W			36.3	44.7	61.9	68.9	83.6	107.3	131.5	147.6	156.0	182.2	212.4		
Power cons. in W			30.3	31.1	37.0	39.3	43.5	48.6	52.1	53.9	54.9	58.3	64.2		
Current cons. in A			0.28	0.31	0.38	0.41	0.45	0.51	0.55	0.57	0.58	0.62	0.70		
Cons. w/ PFC in A			0.17	0.21	0.25	0.27	0.29	0.33	0.37	0.40	0.41	0.45	0.49		
COP in W/W			1.20	1.44	1.67	1.75	1.92	2.21	2.52	2.74	2.84	3.12	3.31		

4000 rpm EN 12900 Household/CECOMAF, condensing temperature 45°C (113°F), 220V, 50/60Hz, static cooling

Evap. temp. in °C	-45	-40	-35	-30	-25	-23.3	-20	-15	-10	-6.7	-5	0	5	7.2	10
Capacity in W			42.2	57.7	85.0	96.0	119.0	156.1	194.3	219.6	232.8	272.1	314.5		
Power cons. in W			33.7	40.3	52.2	56.4	64.1	73.7	80.4	83.8	85.5	90.5	97.7		
Current cons. in A			0.35	0.41	0.53	0.57	0.65	0.76	0.84	0.87	0.89	0.96	1.08		
Cons. w/ PFC in A			0.22	0.28	0.34	0.36	0.40	0.46	0.53	0.57	0.59	0.99	1.07		
COP in W/W			1.25	1.43	1.63	1.70	1.85	2.12	2.42	2.62	2.72	3.01	3.22		

1000 rpm EN 12900 Household/CECOMAF, condensing temperature 55°C (131°F), 220V, 50/60Hz, static cooling

Evap. temp. in °C	-45	-40	-35	-30	-25	-23.3	-20	-15	-10	-6.7	-5	0	5	7.2	10
Capacity in W			8.3	9.8	15.9	18.5	23.7	31.1	37.2	40.6	42.4	48.0	56.8		
Power cons. in W			7.7	8.3	12.3	13.8	16.4	18.6	19.0	18.9	18.8	19.1	21.5		
Current cons. in A			0.10	0.10	0.12	0.13	0.15	0.17	0.18	0.19	0.20	0.22	0.27		
Cons. w/ PFC in A			0.07	0.07	0.08	0.08	0.09	0.10	0.12	0.13	0.13	0.15	0.17		
COP in W/W			1.07	1.18	1.29	1.34	1.45	1.67	1.95	2.16	2.26	2.52	2.65		

1200 rpm EN 12900 Household/CECOMAF, condensing temperature 55°C (131°F), 220V, 50/60Hz, static cooling

Evap. temp. in °C	-45	-40	-35	-30	-25	-23.3	-20	-15	-10	-6.7	-5	0	5	7.2	10
Capacity in W			7.8	10.9	19.0	22.2	28.7	38.2	46.5	51.5	54.1	62.3	73.8		
Power cons. in W			7.3	9.1	14.4	16.3	19.5	22.5	23.7	23.9	24.0	24.9	28.2		
Current cons. in A			0.11	0.11	0.14	0.15	0.18	0.20	0.22	0.24	0.24	0.28	0.34		
Cons. w/ PFC in A			0.07	0.08	0.10	0.10	0.11	0.12	0.14	0.15	0.16	0.19	0.21		
COP in W/W			1.07	1.20	1.32	1.36	1.48	1.69	1.97	2.16	2.26	2.50	2.62		

1400 rpm EN 12900 Household/CECOMAF, condensing temperature 55°C (131°F), 220V, 50/60Hz, static cooling

Evap. temp. in °C	-45	-40	-35	-30	-25	-23.3	-20	-15	-10	-6.7	-5	0	5	7.2	10
Capacity in W			8.9	13.3	22.8	26.6	34.3	45.6	55.9	62.2	65.5	75.8	89.7		
Power cons. in W			8.3	11.0	17.1	19.2	22.8	26.6	28.2	28.8	29.0	30.4	34.5		
Current cons. in A			0.12	0.13	0.16	0.18	0.21	0.24	0.27	0.28	0.29	0.33	0.40		
Cons. w/ PFC in A			0.08	0.09	0.11	0.12	0.13	0.15	0.17	0.18	0.19	0.22	0.25		
COP in W/W			1.07	1.21	1.34	1.39	1.50	1.72	1.98	2.16	2.26	2.49	2.60		

1600 rpm EN 12900 Household/CECOMAF, condensing temperature 55°C (131°F), 220V, 50/60Hz, static cooling

Evap. temp. in °C	-45	-40	-35	-30	-25	-23.3	-20	-15	-10	-6.7	-5	0	5	7.2	10
Capacity in W			11.3	16.4	27.1	31.4	40.0	52.8	64.8	72.3	76.1	88.3	104.1		
Power cons. in W			10.5	13.5	20.0	22.3	26.2	30.4	32.5	33.3	33.7	35.6	40.2		
Current cons. in A			0.13	0.15	0.19	0.21	0.24	0.28	0.31	0.33	0.33	0.38	0.45		
Cons. w/ PFC in A			0.09	0.11	0.13	0.13	0.15	0.17	0.19	0.21	0.22	0.25	0.29		
COP in W/W			1.07	1.22	1.36	1.41	1.52	1.74	1.99	2.17	2.26	2.48	2.59		

1800 rpm EN 12900 Household/CECOMAF, condensing temperature 55°C (131°F), 220V, 50/60Hz, static cooling

Evap. temp. in °C	-45	-40	-35	-30	-25	-23.3	-20	-15	-10	-6.7	-5	0	5	7.2	10
Capacity in W			14.4	20.0	31.5	36.1	45.5	59.6	73.0	81.4	85.8	99.4	116.7		
Power cons. in W			13.5	16.3	23.0	25.4	29.5	34.0	36.5	37.5	37.9	40.2	45.3		
Current cons. in A			0.16	0.17	0.22	0.23	0.27	0.31	0.35	0.37	0.38	0.42	0.51		
Cons. w/ PFC in A			0.10	0.12	0.14	0.15	0.16	0.19	0.22	0.24	0.25	0.28	0.32		
COP in W/W			1.07	1.23	1.37	1.42	1.54	1.75	2.00	2.17	2.26	2.48	2.58		

2000 rpm EN 12900 Household/CECOMAF, condensing temperature 55°C (131°F), 220V, 50/60Hz, static cooling

Evap. temp. in °C	-45	-40	-35	-30	-25	-23.3	-20	-15	-10	-6.7	-5	0	5	7.2	10
Capacity in W			18.1	23.7	35.7	40.6	50.5	65.7	80.3	89.5	94.3	109.1	127.5		
Power cons. in W			17.1	19.3	25.9	28.3	32.6	37.3	40.0	41.1	41.7	44.2	49.6		
Current cons. in A			0.18	0.19	0.24	0.26	0.30	0.35	0.39	0.41	0.42	0.47	0.56		
Cons. w/ PFC in A			0.12	0.14	0.16	0.17	0.18	0.21	0.24	0.26	0.27	0.31	0.35		
COP in W/W			1.06	1.23	1.38	1.43	1.55	1.76	2.01	2.18	2.26	2.47	2.57		

3000 rpm EN 12900 Household/CECOMAF, condensing temperature 55°C (131°F), 220V, 50/60Hz, static cooling

Evap. temp. in °C	-45	-40	-35	-30	-25	-23.3	-20	-15	-10	-6.7	-5	0	5	7.2	10
Capacity in W			34.8	37.9	50.6	56.2	68.3	87.7	106.9	119.2	125.5	144.3	165.5		
Power cons. in W			36.0	33.2	38.6	40.9	45.4	50.9	54.4	56.1	56.9	59.8	65.3		
Current cons. in A			0.30	0.30	0.36	0.39	0.44	0.51	0.56	0.59	0.61	0.67	0.80		
Cons. w/ PFC in A			0.18	0.21	0.24	0.26	0.29	0.33	0.38	0.42	0.43	0.49	0.55		
COP in W/W			0.97	1.14	1.31	1.37	1.50	1.72	1.96	2.13	2.21	2.41	2.53		

4000 rpm EN 12900 Household/CECOMAF, condensing temperature 55°C (131°F), 220V, 50/60Hz, static cooling

Evap. temp. in °C	-45	-40	-35	-30	-25	-23.3	-20	-15	-10	-6.7	-5	0	5	7.2	10
Capacity in W			35.5	44.3	66.6	76.2	96.6	129.8	163.3	184.8	195.6	226.8	258.4		
Power cons. in W			34.7	39.1	52.5	57.6	67.0	78.9	87.3	91.4	93.3	98.7	106.2		
Current cons. in A			0.35	0.38	0.50	0.54	0.63	0.76	0.86	0.92	0.95	1.05	1.23		
Cons. w/ PFC in A			0.22	0.27	0.33	0.35	0.39	0.47	0.54	0.62	0.63	0.71	0.81		
COP in W/W			1.02	1.13	1.27	1.32	1.44	1.65	1.87	2.02	2.10	2.30	2.43		

1000 rpm ASHRAE LBP, condensing temperature 35°C (95°F), 220V, 50/60Hz, static cooling

Evap. temp. in °C	-45	-40	-35	-30	-25	-23.3	-20	-15	-10	-6.7	-5	0	5	7.2	10
Capacity in W			15.3	19.0	28.4	32.3	40.3	52.6	64.3	71.8	75.7	88.0	103.8		
Power cons. in W			9.6	10.1	13.1	14.2	16.1	18.1	19.2	19.7	20.0	21.1	23.6		
Current cons. in A			0.06	0.09	0.13	0.14	0.16	0.19	0.20	0.21	0.21	0.22	0.24		
Cons. w/ PFC in A			0.04	0.06	0.08	0.09	0.10	0.12	0.13	0.13	0.14	0.15	0.15		
COP in W/W			1.59	1.89	2.17	2.28	2.51	2.90	3.34	3.64	3.79	4.18	4.39		

1200 rpm ASHRAE LBP, condensing temperature 35°C (95°F), 220V, 50/60Hz, static cooling

Evap. temp. in °C	-45	-40	-35	-30	-25	-23.3	-20	-15	-10	-6.7	-5	0	5	7.2	10
Capacity in W			18.6	23.7	34.7	39.2	48.4	62.7	76.8	86.0	90.8	106.3	125.6		
Power cons. in W			11.8	12.6	16.0	17.2	19.3	21.7	23.1	23.8	24.1	25.7	28.9		
Current cons. in A			0.08	0.12	0.15	0.17	0.19	0.22	0.24	0.24	0.25	0.26	0.28		
Cons. w/ PFC in A			0.05	0.08	0.10	0.11	0.12	0.14	0.15	0.16	0.16	0.17	0.18		
COP in W/W			1.58	1.88	2.17	2.28	2.50	2.89	3.32	3.62	3.76	4.14	4.35		

1400 rpm ASHRAE LBP, condensing temperature 35°C (95°F), 220V, 50/60Hz, static cooling

Evap. temp. in °C	-45	-40	-35	-30	-25	-23.3	-20	-15	-10	-6.7	-5	0	5	7.2	10
Capacity in W			22.7	28.9	41.3	46.3	56.6	72.8	89.0	99.8	105.5	123.8	146.4		
Power cons. in W			14.4	15.4	19.0	20.3	22.6	25.2	26.9	27.7	28.2	30.1	33.9		
Current cons. in A			0.11	0.14	0.18	0.20	0.22	0.25	0.27	0.28	0.28	0.30	0.33		
Cons. w/ PFC in A			0.07	0.10	0.12	0.13	0.14	0.16	0.17	0.18	0.18	0.20	0.21		
COP in W/W			1.57	1.88	2.17	2.28	2.50	2.88	3.31	3.60	3.74	4.11	4.32		

1600 rpm ASHRAE LBP, condensing temperature 35°C (95°F), 220V, 50/60Hz, static cooling

Evap. temp. in °C	-45	-40	-35	-30	-25	-23.3	-20	-15	-10	-6.7	-5	0	5	7.2	10
Capacity in W			26.9	34.1	47.6	53.1	64.4	82.3	100.5	112.8	119.4	140.3	165.9		
Power cons. in W			17.2	18.2	21.9	23.3	25.8	28.6	30.5	31.5	32.1	34.3	38.6		
Current cons. in A			0.13	0.17	0.21	0.23	0.25	0.29	0.31	0.31	0.32	0.33	0.37		
Cons. w/ PFC in A			0.08	0.11	0.14	0.15	0.16	0.18	0.19	0.20	0.21	0.22	0.23		
COP in W/W			1.56	1.88	2.17	2.28	2.50	2.88	3.30	3.58	3.72	4.08	4.29		

1800 rpm ASHRAE LBP, condensing temperature 35°C (95°F), 220V, 50/60Hz, static cooling

Evap. temp. in °C	-45	-40	-35	-30	-25	-23.3	-20	-15	-10	-6.7	-5	0	5	7.2	10
Capacity in W			31.1	38.9	53.5	59.4	71.6	91.0	111.1	124.7	132.0	155.3	183.7		
Power cons. in W			20.0	20.8	24.7	26.1	28.7	31.8	33.9	35.0	35.7	38.3	43.0		
Current cons. in A			0.16	0.19	0.24	0.25	0.28	0.32	0.34	0.35	0.35	0.37	0.41		
Cons. w/ PFC in A			0.10	0.13	0.15	0.16	0.18	0.20	0.21	0.22	0.22	0.24	0.25		
COP in W/W			1.55	1.87	2.17	2.27	2.49	2.87	3.28	3.56	3.70	4.06	4.27		

2000 rpm ASHRAE LBP, condensing temperature 35°C (95°F), 220V, 50/60Hz, static cooling

Evap. temp. in °C	-45	-40	-35	-30	-25	-23.3	-20	-15	-10	-6.7	-5	0	5	7.2	10
Capacity in W			34.8	43.3	58.7	64.9	77.9	98.8	120.5	135.4	143.4	168.9	199.8		
Power cons. in W			22.6	23.2	27.2	28.7	31.4	34.6	36.9	38.3	39.0	41.9	47.0		
Current cons. in A			0.18	0.22	0.26	0.28	0.31	0.35	0.37	0.38	0.38	0.40	0.44		
Cons. w/ PFC in A			0.11	0.14	0.17	0.18	0.19	0.21	0.23	0.24	0.24	0.26	0.27		
COP in W/W			1.54	1.86	2.16	2.27	2.48	2.85	3.26	3.54	3.68	4.03	4.25		

3000 rpm ASHRAE LBP, condensing temperature 35°C (95°F), 220V, 50/60Hz, static cooling

Evap. temp. in °C	-45	-40	-35	-30	-25	-23.3	-20	-15	-10	-6.7	-5	0	5	7.2	10
Capacity in W			46.1	56.0	75.0	82.8	99.4	126.9	156.3	176.9	188.0	223.2	264.9		
Power cons. in W			32.0	32.0	36.6	38.5	42.0	46.5	50.1	52.2	53.3	57.5	64.2		
Current cons. in A			0.29	0.32	0.37	0.39	0.43	0.48	0.50	0.51	0.52	0.54	0.60		
Cons. w/ PFC in A			0.19	0.23	0.26	0.27	0.29	0.32	0.35	0.36	0.37	0.39	0.40		
COP in W/W			1.44	1.75	2.05	2.15	2.37	2.73	3.12	3.39	3.53	3.88	4.13		

4000 rpm ASHRAE LBP, condensing temperature 35°C (95°F), 220V, 50/60Hz, static cooling

Evap. temp. in °C	-45	-40	-35	-30	-25	-23.3	-20	-15	-10	-6.7	-5	0	5	7.2	10
Capacity in W			63.0	79.9	108.5	120.1	144.5	185.1	228.8	259.2	275.4	326.0	383.3		
Power cons. in W			43.8	47.2	55.8	58.9	64.8	72.3	78.1	81.3	83.0	88.7	97.2		
Current cons. in A			0.41	0.46	0.55	0.58	0.65	0.72	0.78	0.80	0.81	0.86	0.95		
Cons. w/ PFC in A			0.26	0.31	0.36	0.38	0.41	0.46	0.50	0.52	0.53	0.55	0.56		
COP in W/W			1.44	1.69	1.95	2.04	2.23	2.56	2.93	3.19	3.32	3.67	3.94		

1000 rpm ASHRAE LBP, condensing temperature 45°C (113°F), 220V, 50/60Hz, static cooling

Evap. temp. in °C	-45	-40	-35	-30	-25	-23.3	-20	-15	-10	-6.7	-5	0	5	7.2	10
Capacity in W			11.4	15.3	24.8	28.7	36.5	48.0	58.6	65.1	68.4	78.9	93.0		
Power cons. in W			7.9	9.2	13.3	14.7	17.1	19.6	20.6	20.9	21.0	22.0	24.6		
Current cons. in A			0.09	0.11	0.14	0.15	0.17	0.20	0.21	0.22	0.23	0.24	0.28		
Cons. w/ PFC in A			0.06	0.07	0.09	0.10	0.11	0.12	0.13	0.14	0.15	0.17	0.18		
COP in W/W			1.44	1.66	1.87	1.95	2.13	2.45	2.84	3.11	3.25	3.59	3.77		

1200 rpm ASHRAE LBP, condensing temperature 45°C (113°F), 220V, 50/60Hz, static cooling

Evap. temp. in °C	-45	-40	-35	-30	-25	-23.3	-20	-15	-10	-6.7	-5	0	5	7.2	10
Capacity in W			12.9	18.6	30.0	34.5	43.7	57.5	70.4	78.6	82.9	96.4	113.8		
Power cons. in W			9.0	11.2	15.9	17.6	20.4	23.3	24.7	25.3	25.6	27.0	30.4		
Current cons. in A			0.10	0.13	0.16	0.18	0.20	0.23	0.25	0.26	0.27	0.29	0.33		
Cons. w/ PFC in A			0.07	0.09	0.11	0.11	0.12	0.14	0.16	0.17	0.18	0.19	0.21		
COP in W/W			1.44	1.67	1.88	1.97	2.14	2.47	2.85	3.11	3.24	3.58	3.75		

1400 rpm ASHRAE LBP, condensing temperature 45°C (113°F), 220V, 50/60Hz, static cooling

Evap. temp. in °C	-45	-40	-35	-30	-25	-23.3	-20	-15	-10	-6.7	-5	0	5	7.2	10
Capacity in W			15.7	22.7	35.7	40.9	51.2	67.0	82.1	91.9	96.9	113.1	133.5		
Power cons. in W			10.9	13.6	18.8	20.6	23.7	27.0	28.8	29.5	30.0	31.7	35.8		
Current cons. in A			0.12	0.15	0.19	0.20	0.23	0.27	0.29	0.30	0.31	0.33	0.38		
Cons. w/ PFC in A			0.08	0.10	0.12	0.13	0.14	0.16	0.18	0.20	0.20	0.22	0.25		
COP in W/W			1.44	1.68	1.90	1.98	2.16	2.48	2.85	3.11	3.24	3.56	3.73		

1600 rpm ASHRAE LBP, condensing temperature 45°C (113°F), 220V, 50/60Hz, static cooling

Evap. temp. in °C	-45	-40	-35	-30	-25	-23.3	-20	-15	-10	-6.7	-5	0	5	7.2	10
Capacity in W			19.2	27.3	41.6	47.2	58.7	76.2	93.2	104.3	110.1	128.6	151.5		
Power cons. in W			13.4	16.2	21.7	23.6	26.9	30.5	32.6	33.5	34.1	36.2	40.7		
Current cons. in A			0.14	0.17	0.22	0.23	0.26	0.30	0.33	0.34	0.35	0.37	0.43		
Cons. w/ PFC in A			0.09	0.11	0.14	0.15	0.16	0.18	0.20	0.22	0.23	0.25	0.27		
COP in W/W			1.43	1.68	1.91	2.00	2.18	2.50	2.86	3.11	3.23	3.55	3.72		

1800 rpm ASHRAE LBP, condensing temperature 45°C (113°F), 220V, 50/60Hz, static cooling

Evap. temp. in °C	-45	-40	-35	-30	-25	-23.3	-20	-15	-10	-6.7	-5	0	5	7.2	10
Capacity in W			23.0	31.8	47.2	53.3	65.6	84.6	103.4	115.7	122.1	142.6	167.7		
Power cons. in W			16.1	18.9	24.5	26.5	30.0	33.8	36.1	37.2	37.8	40.2	45.2		
Current cons. in A			0.16	0.19	0.24	0.26	0.29	0.33	0.36	0.38	0.38	0.41	0.47		
Cons. w/ PFC in A			0.10	0.13	0.15	0.16	0.18	0.20	0.22	0.24	0.25	0.27	0.30		
COP in W/W			1.43	1.69	1.92	2.01	2.19	2.51	2.87	3.11	3.23	3.54	3.71		

2000 rpm ASHRAE LBP, condensing temperature 45°C (113°F), 220V, 50/60Hz, static cooling

Evap. temp. in °C	-45	-40	-35	-30	-25	-23.3	-20	-15	-10	-6.7	-5	0	5	7.2	10
Capacity in W			26.9	36.1	52.3	58.7	71.8	92.2	112.4	125.8	132.8	155.0	182.0		
Power cons. in W			19.0	21.4	27.2	29.2	32.7	36.7	39.2	40.5	41.1	43.8	49.1		
Current cons. in A			0.19	0.22	0.27	0.29	0.32	0.37	0.40	0.41	0.42	0.45	0.51		
Cons. w/ PFC in A			0.12	0.14	0.17	0.18	0.19	0.22	0.25	0.26	0.27	0.30	0.33		
COP in W/W			1.42	1.68	1.93	2.01	2.20	2.51	2.87	3.11	3.23	3.54	3.71		

3000 rpm ASHRAE LBP, condensing temperature 45°C (113°F), 220V, 50/60Hz, static cooling

Evap. temp. in °C	-45	-40	-35	-30	-25	-23.3	-20	-15	-10	-6.7	-5	0	5	7.2	10
Capacity in W			40.2	49.6	68.6	76.4	92.8	119.0	145.9	163.8	173.2	202.3	235.9		
Power cons. in W			30.3	31.1	37.0	39.3	43.5	48.6	52.1	53.9	54.8	58.3	64.2		
Current cons. in A			0.28	0.31	0.38	0.41	0.45	0.51	0.55	0.57	0.58	0.62	0.70		
Cons. w/ PFC in A			0.17	0.21	0.25	0.27	0.29	0.33	0.37	0.40	0.41	0.45	0.49		
COP in W/W			1.33	1.60	1.85	1.95	2.13	2.45	2.80	3.04	3.16	3.47	3.68		

4000 rpm ASHRAE LBP, condensing temperature 45°C (113°F), 220V, 50/60Hz, static cooling

Evap. temp. in °C	-45	-40	-35	-30	-25	-23.3	-20	-15	-10	-6.7	-5	0	5	7.2	10
Capacity in W			46.8	64.0	94.3	106.5	132.0	173.2	215.6	243.8	258.4	302.1	349.3		
Power cons. in W			33.6	40.2	52.2	56.4	64.1	73.6	80.4	83.8	85.4	90.4	97.6		
Current cons. in A			0.35	0.41	0.53	0.57	0.65	0.76	0.83	0.87	0.89	0.96	1.08		
Cons. w/ PFC in A			0.22	0.28	0.34	0.36	0.40	0.46	0.53	0.57	0.59	0.99	1.07		
COP in W/W			1.39	1.59	1.81	1.89	2.06	2.35	2.68	2.91	3.02	3.34	3.58		

1000 rpm ASHRAE LBP, condensing temperature 55°C (131°F), 220V, 50/60Hz, static cooling

Evap. temp. in °C	-45	-40	-35	-30	-25	-23.3	-20	-15	-10	-6.7	-5	0	5	7.2	10
Capacity in W			10.1	11.9	19.4	22.5	28.8	37.8	45.2	49.5	51.6	58.5	69.2		
Power cons. in W			7.7	8.3	12.3	13.8	16.4	18.6	19.0	18.8	18.7	19.1	21.4		
Current cons. in A			0.10	0.10	0.12	0.13	0.15	0.17	0.18	0.19	0.20	0.22	0.27		
Cons. w/ PFC in A			0.07	0.07	0.08	0.08	0.09	0.10	0.12	0.13	0.13	0.15	0.17		
COP in W/W			1.30	1.44	1.57	1.63	1.76	2.03	2.38	2.63	2.75	3.07	3.23		

1200 rpm ASHRAE LBP, condensing temperature 55°C (131°F), 220V, 50/60Hz, static cooling

Evap. temp. in °C	-45	-40	-35	-30	-25	-23.3	-20	-15	-10	-6.7	-5	0	5	7.2	10
Capacity in W			9.5	13.3	23.0	27.0	34.9	46.4	56.6	62.7	65.8	75.8	89.9		
Power cons. in W			7.3	9.1	14.4	16.3	19.5	22.5	23.7	23.9	23.9	24.9	28.1		
Current cons. in A			0.11	0.11	0.14	0.15	0.18	0.20	0.22	0.24	0.24	0.27	0.34		
Cons. w/ PFC in A			0.07	0.08	0.10	0.10	0.11	0.12	0.14	0.15	0.16	0.19	0.21		
COP in W/W			1.30	1.45	1.60	1.66	1.79	2.06	2.39	2.63	2.75	3.05	3.19		

1400 rpm ASHRAE LBP, condensing temperature 55°C (131°F), 220V, 50/60Hz, static cooling

Evap. temp. in °C	-45	-40	-35	-30	-25	-23.3	-20	-15	-10	-6.7	-5	0	5	7.2	10
Capacity in W			10.8	16.1	27.7	32.4	41.7	55.4	68.0	75.7	79.7	92.4	109.3		
Power cons. in W			8.3	11.0	17.0	19.2	22.8	26.5	28.2	28.7	29.0	30.4	34.5		
Current cons. in A			0.12	0.13	0.16	0.18	0.21	0.24	0.27	0.28	0.29	0.33	0.40		
Cons. w/ PFC in A			0.08	0.09	0.11	0.12	0.13	0.15	0.17	0.18	0.19	0.22	0.25		
COP in W/W			1.30	1.47	1.63	1.69	1.83	2.09	2.41	2.64	2.75	3.04	3.17		

1600 rpm ASHRAE LBP, condensing temperature 55°C (131°F), 220V, 50/60Hz, static cooling

Evap. temp. in °C	-45	-40	-35	-30	-25	-23.3	-20	-15	-10	-6.7	-5	0	5	7.2	10
Capacity in W			13.7	20.0	33.0	38.1	48.6	64.3	78.8	88.0	92.7	107.6	126.8		
Power cons. in W			10.5	13.5	20.0	22.3	26.2	30.4	32.5	33.3	33.7	35.5	40.2		
Current cons. in A			0.13	0.15	0.19	0.21	0.24	0.28	0.31	0.32	0.33	0.37	0.45		
Cons. w/ PFC in A			0.09	0.11	0.13	0.13	0.15	0.17	0.19	0.21	0.22	0.25	0.29		
COP in W/W			1.30	1.48	1.65	1.71	1.85	2.11	2.43	2.64	2.75	3.03	3.15		

1800 rpm ASHRAE LBP, condensing temperature 55°C (131°F), 220V, 50/60Hz, static cooling

Evap. temp. in °C	-45	-40	-35	-30	-25	-23.3	-20	-15	-10	-6.7	-5	0	5	7.2	10
Capacity in W			17.5	24.3	38.3	43.9	55.3	72.5	88.8	99.1	104.4	121.1	142.2		
Power cons. in W			13.5	16.3	23.0	25.3	29.5	34.0	36.4	37.4	37.9	40.1	45.3		
Current cons. in A			0.16	0.17	0.22	0.23	0.27	0.31	0.35	0.37	0.38	0.42	0.51		
Cons. w/ PFC in A			0.10	0.12	0.14	0.15	0.16	0.19	0.22	0.24	0.25	0.28	0.32		
COP in W/W			1.30	1.49	1.67	1.73	1.87	2.13	2.44	2.65	2.75	3.02	3.14		

2000 rpm ASHRAE LBP, condensing temperature 55°C (131°F), 220V, 50/60Hz, static cooling

Evap. temp. in °C	-45	-40	-35	-30	-25	-23.3	-20	-15	-10	-6.7	-5	0	5	7.2	10
Capacity in W			22.0	28.8	43.4	49.3	61.4	79.9	97.7	108.9	114.7	132.9	155.4		
Power cons. in W			17.1	19.3	25.9	28.3	32.6	37.3	40.0	41.1	41.7	44.1	49.6		
Current cons. in A			0.18	0.19	0.24	0.26	0.30	0.35	0.38	0.41	0.42	0.47	0.56		
Cons. w/ PFC in A			0.12	0.14	0.16	0.17	0.18	0.21	0.24	0.26	0.27	0.31	0.35		
COP in W/W			1.29	1.49	1.67	1.74	1.89	2.14	2.44	2.65	2.75	3.01	3.13		

3000 rpm ASHRAE LBP, condensing temperature 55°C (131°F), 220V, 50/60Hz, static cooling

Evap. temp. in °C	-45	-40	-35	-30	-25	-23.3	-20	-15	-10	-6.7	-5	0	5	7.2	10
Capacity in W			42.3	46.0	61.4	68.3	83.0	106.6	130.1	145.1	152.8	175.7	201.7		
Power cons. in W			36.0	33.2	38.5	40.9	45.4	50.9	54.4	56.0	56.8	59.7	65.3		
Current cons. in A			0.30	0.30	0.36	0.39	0.44	0.51	0.56	0.59	0.61	0.67	0.80		
Cons. w/ PFC in A			0.18	0.21	0.24	0.26	0.29	0.33	0.38	0.42	0.43	0.49	0.55		
COP in W/W			1.17	1.39	1.59	1.67	1.83	2.10	2.39	2.59	2.69	2.94	3.09		

4000 rpm ASHRAE LBP, condensing temperature 55°C (131°F), 220V, 50/60Hz, static cooling

Evap. temp. in °C	-45	-40	-35	-30	-25	-23.3	-20	-15	-10	-6.7	-5	0	5	7.2	10
Capacity in W			43.1	53.8	80.9	92.6	117.4	157.9	198.7	224.9	238.1	276.2	314.9		
Power cons. in W			34.7	39.1	52.4	57.5	67.0	78.8	87.2	91.3	93.2	98.7	106.1		
Current cons. in A			0.35	0.38	0.50	0.54	0.63	0.76	0.86	0.92	0.95	1.05	1.23		
Cons. w/ PFC in A			0.22	0.27	0.33	0.35	0.39	0.47	0.54	0.92	0.96	1.09	1.21		
COP in W/W			1.24	1.38	1.54	1.61	1.75	2.00	2.28	2.46	2.56	2.80	2.97		

CECOMAF LBP

220V, 50/60Hz, static cooling

Evaporating temperature -25°C (-13°F)

Condensing temperature 55°C (131°F)

Speed in rpm	1000	1200	1400	1600	1800	2000	3000	4000
Capacity in W	15.9	19.0	22.8	27.1	31.5	35.7	50.6	66.6
Power cons. in W	12.3	14.4	17.1	20.0	23.0	25.9	38.6	52.5
Current cons. in A	0.12	0.14	0.16	0.19	0.22	0.24	0.36	0.50
Cons. w/ PFC in A	0.08	0.10	0.11	0.13	0.14	0.16	0.24	0.33
COP in W/W	1.29	1.32	1.34	1.36	1.37	1.38	1.31	1.27

ASHRAE LBP

220V, 50/60Hz, static cooling

Evaporating temperature -23.3°C (-10°F)

Condensing temperature 54.4°C (130°F)

Speed in rpm	1000	1200	1400	1600	1800	2000	3000	4000
Capacity in W	22.8	27.4	32.8	38.6	44.3	49.8	68.6	93.1
Power cons. in W	13.9	16.4	19.3	22.4	25.4	28.4	40.8	57.3
Current cons. in A	0.13	0.16	0.18	0.21	0.24	0.26	0.39	0.54
Cons. w/ PFC in A	0.09	0.10	0.12	0.13	0.15	0.17	0.26	0.35
COP in W/W	1.64	1.67	1.70	1.73	1.74	1.75	1.68	1.63

Optimization point

220V, 50/60Hz, static cooling

Evaporating temperature -25°C (-13°F)

Condensing temperature 35°C (95°F)

Speed in rpm	1000	1200	1400	1600	1800	2000	3000	4000
Capacity in W	27.8	34.0	40.4	46.6	52.4	57.4	73.4	106.2
Power cons. in W	13.1	16.0	19.0	21.9	24.7	27.2	36.6	55.8
Current cons. in A	0.13	0.16	0.18	0.21	0.24	0.26	0.37	0.55
Cons. w/ PFC in A	0.08	0.10	0.12	0.14	0.15	0.17	0.26	0.36
COP in W/W	2.13	2.13	2.13	2.12	2.12	2.11	2.00	1.90

Optimization point

220V, 50/60Hz, static cooling

Evaporating temperature -10°C (14°F)

Condensing temperature 45°C (113°F)

Speed in rpm	1000	1200	1400	1600	1800	2000	3000	4000
Capacity in W	52.8	63.5	74.0	84.0	93.2	101.3	131.5	194.3
Power cons. in W	20.6	24.8	28.8	32.6	36.1	39.2	52.1	80.4
Current cons. in A	0.21	0.25	0.29	0.33	0.36	0.40	0.55	0.84
Cons. w/ PFC in A	0.13	0.16	0.18	0.20	0.22	0.25	0.37	0.53
COP in W/W	2.56	2.56	2.57	2.58	2.58	2.58	2.52	2.42

Grey background

Compressor designation (yellow box)

Voltage | Application

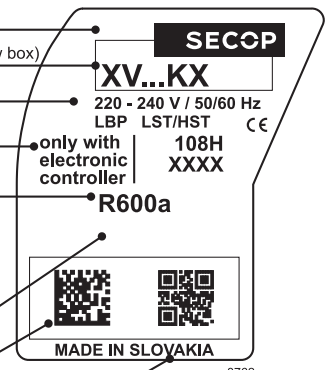
Code number
(controller reference)

Refrigerant
(yellow warning sign is placed separately)

Approvals

Data Matrix Code | QR Code
(code number | website link)
on white background

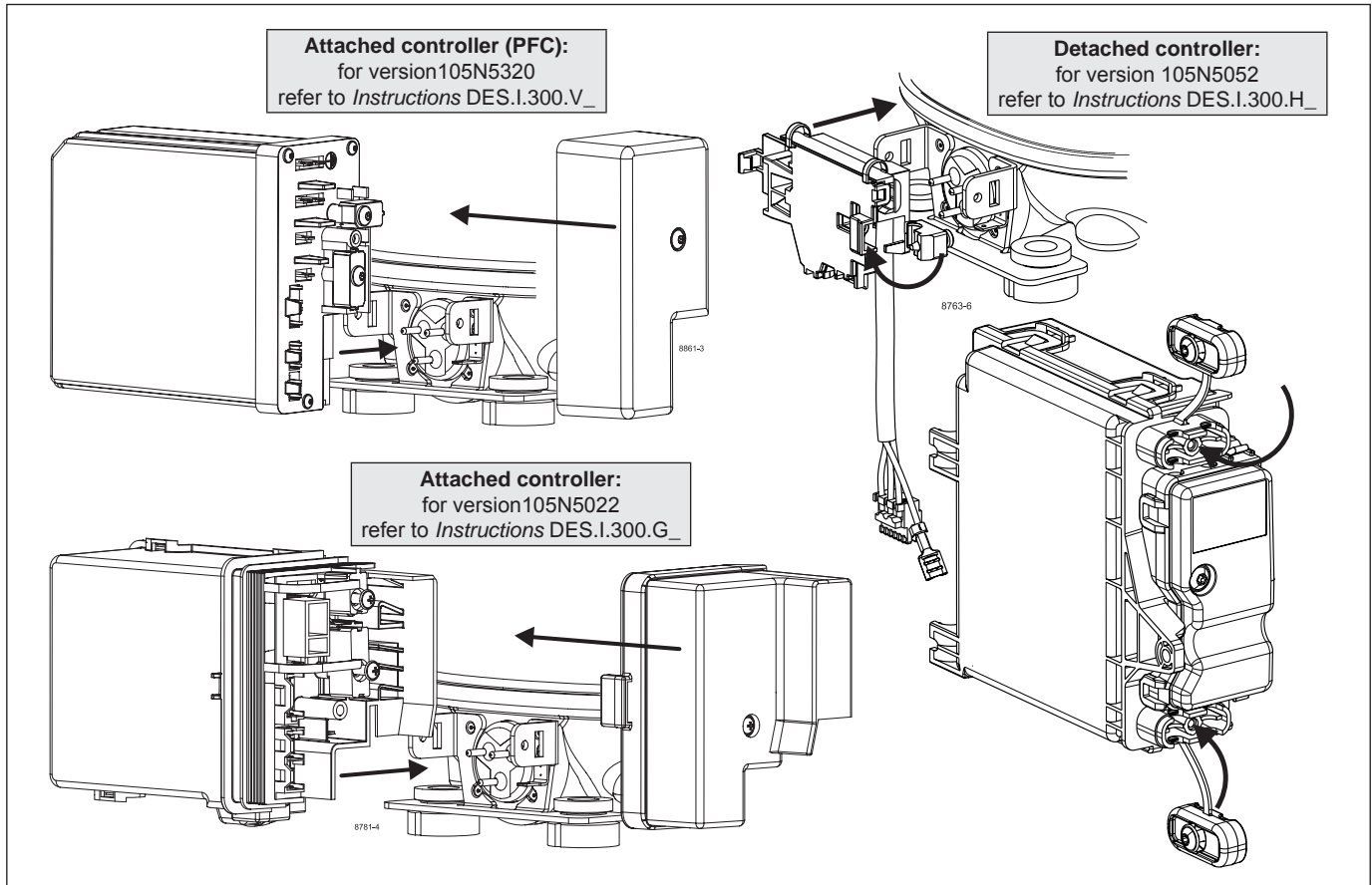
Country of origin or manufacturer



Test conditions	EN 12900/CECOMAF	ASHRAE LBP
Condensing temperature	see tables	see tables
Ambient temperature	32°C	32°C
Suction gas temperature	32°C	32°C
Liquid temperature	no subcooling	32°C

Mounting accessories for XV5.0KX	Code number
Bolt joint for one compressor	Ø: 16 mm 118-1917
Bolt joint in quantities	Ø: 16 mm 118-1918
Snap-on in quantities	Ø: 16 mm 118-1919

Accessories for electronic unit 105N5052	Code number
Connector cable assembly	400 mm 105B7102
Connector cable assembly	500 mm 105B7103
Connector cable assembly	540 mm 105B7104



Nidec GA Compressors accepts no responsibility for possible errors in catalogs, brochures, and other printed material. Nidec GA Compressors reserves the right to alter its products without notice. This also applies to products already on order provided that such alterations can be made without consequential changes being necessary to specifications already agreed. All trademarks in this material are the property of the respective companies. Secop and the Secop logotype are trademarks of Nidec Global Appliance Germany GmbH. All rights reserved. www.secop.com