

R290 · 220–240V | 50Hz

COMBINING COMPACT SIZE WITH HIGH PERFORMANCE

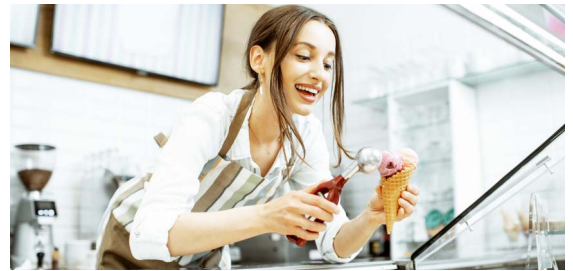
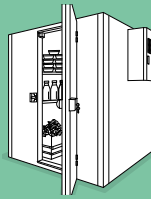
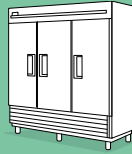
SECCP



SCE Plus



Commercial Applications



New Hermetic Terminal Plug



Broad Application Range (LBP & MBP)



High Efficiency



Small Footprint



R290 Green Refrigerant

→ Increased Cooling Capacity

- Extended displacement for a wider range of applications

→ First-Class Robustness

- Improved robustness for liquid return
- Increased stability during defrosting by hot gas
- Improved noise/vibration reduction compared to similar products

→ Optimized Electrical System (IP23 Protection Class)

- More compact, easier installation
- Additional connections
- Flexible configuration options

→ Innovative Solution for Flammable Refrigerants

- Innovative patented hermetic terminal plug

→ Multiple Conformity

- Natural refrigerant solution
- Low GWP at maximum capacity
- Regulatory compliance and environmentally friendly with R290

The new **SCE Plus** refrigeration compressor series from Secop expands the legendary S-Series by a displacement of 23 and 25 cm³. It combines compact size with high performance and is optimized for R290 (propane) to ensure high energy efficiency. This solution is perfect for applications such as supermarket refrigerators/freezers, walk-in freezers, double glass door merchandizers, and much more.

Secop sets new standards in terms of compactness, cooling capacity and reliability with the SCE Plus series. It has been specially developed to support the new IEC approvals for HC refrigerant charges from 150 g to 500 g in commercial refrigeration systems and offers an ultra-compact hermetic compressor solution.

Secop SCE Plus compressors offer optimized start equipment, are resistant to extreme liquid refrigerant returns, and include a special solution for a safe use of flammable hydrocarbons refrigerants. The starting accessories include a highly integrated relay as well as starting and running capacitors. These components are compact and easy to install and come with integrated PTC and NTC to reduce peak currents and voltage spikes, which increases safety and service life. In addition, the series is equipped with a patented Secop hermetic terminal plug that ensures safe use of the R290 refrigerant to prevent root causes of electrical arcs injection with flammable refrigerants.

General	SCE23LNDX	SCE23MNDX	SCE25LNDX	SCE25MNDX
Compressor	104H8320	104H8300	104H8420	104H8400
Approvals	EN60335-1, EN 60335-2-34 with Annex AA, IEC/EN 60079-1, IEC/EN 60079-15, CCC			

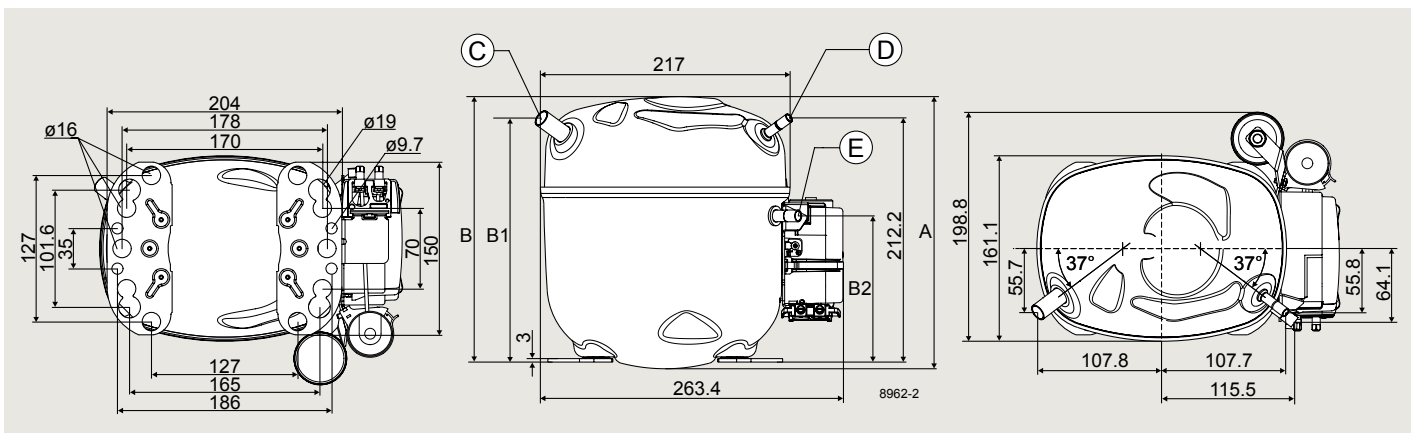
Application	R290			
Application	LBP	MBP	LBP	MBP
Evaporating temperature	°C	-40 to -5	-25 to 10	-40 to -5
Voltage range / frequency	V/Hz	207-254/50	207-254/50	207-254/50

Performance Data ASHRAE LBP/MBP (220 V, 50 Hz • fan cooling)					
Evaporating temp.	°C	-23.3	-6.7	-23.3	-6.7
Cooling capacity	W	1077	1904	1175	2072
Power consumption	W	665	933	730	1013
COP	W/W	1.62	2.04	1.61	2.04
Test conditions	Condensing temperature: LBP: 54.4°C, MBP: 54.4°C Suction gas temperature: LBP: 32.2°C, MBP: 35°C Ambient temperature: LBP: 32.2°C, MBP: 32.2°C Liquid temperature: LBP 32.2°C, MBP: 46.1°C				

Performance Data CECOMAF (220 V, 50 Hz • fan cooling)					
Evaporating temp.	°C	-25	-10	-25	-10
Cooling capacity	W	801	1522	875	1657
Power consumption	W	637	891	698	966
COP	W/W	1.26	1.71	1.25	1.72
Test conditions	Condensing temperature: LBP: 55°C, MBP: 55°C Suction gas temperature: LBP: 32.2°C, MBP: 32.2°C Ambient temperature: LBP: 32°C, MBP: 32°C Liquid temperature: LBP 55°C, MBP: 55°C				

Performance Data EN 12900 (220 V, 50 Hz • fan cooling)					
Evaporating temp.	°C	-35	-10	-35	-10
Cooling capacity	W	614	1698	676	1850
Power consumption	W	469	810	511	874
COP	W/W	1.31	2.10	1.32	2.12
Test conditions	Condensing temperature: LBP: 40°C, MBP: 45°C Suction gas temperature: LBP: 20°C, MBP: 20°C Ambient temperature: LBP: 32°C, MBP: 32°C Liquid temperature: LBP 40°C, MBP: 45°C				

Dimensions				
Height	mm	A	236.4	
		B	230.6	
		B1	212	
		B2	127	
Suction connector location	I.D. mm angle material seal	C	10.2 37° Copper Rubber plug	
Process connector location	I.D. mm angle material seal	D	6.2 37° Copper Rubber plug	
Discharge connector location	I.D. mm angle material seal	E	6.2 37° Copper Rubber plug	
Connector tolerance	I.D. mm		±0.09	



Secop GmbH · Lise-Meitner-Str. 29 · 24941 Flensburg, Germany · Tel: +49 461 4941 0 · www.secop.com

Secop accepts no responsibility for possible errors in catalogs, brochures, and other printed material. Secop reserves the right to alter its products without notice. This also applies to products already on order provided that such alterations can be made without consequential changes being necessary to specifications already agreed. All trademarks in this material are the property of the respective companies. Secop and the Secop logotype are trademarks of Secop GmbH. All rights reserved.