

## Model

Designation **CU NL6.1MLX MG\_Z 230/1/50 CAP**



Sales code: 314L5004  
Engineering code: CUNL61MLX00CE

## Application Data

Power supply	220-240V / 50Hz 1~
Refrigerants	R404A-R452A
Refr. charge - tech. limit	400g / 14,1oz
Starter	HST / capillary tube or expansion valve
Sound pressure (10m)	32,8dB(A)

## Configuration data

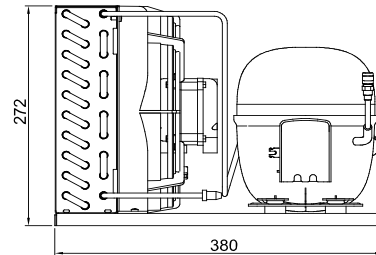
	Conf. 1	Conf. 2
Voltage range	187 - 254V / 50Hz	187 - 254V / 50Hz
Refrigerant	R404A	R452A
Application	MBP	MBP

Rated performance	<u>pe=-10°C, Tsuc=20°C, Tamb=25°C, subcooling: 2K</u>	
Cooling capacity	545W / 1862Btu/h	521W / 1779Btu/h
Power consumption	315,8W	298,5W
Current consumption	2,3A	2,3A
COP/EER	1,73 / 5,89Btu/Wh	1,74 / 5,96Btu/Wh

Approvals	Eco design (EU) 2015/1095, CE, UK CA, VDE	Eco design (EU) 2015/1095, CE, UK CA, VDE
-----------	--	--

## Compressor

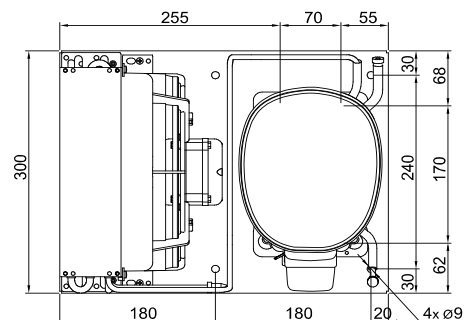
Designation	<b>NL6.1MLX</b>
Motor configuration	CSIR
Locked rotor amperage	16,6A
Rated load amperage	2,8A
Winding resistance main	6,1Ω
Winding resistance aux	17,5Ω
Oil quantity	300cm <sup>3</sup> / 10,1fl.oz
Oil type	POE
Horsepower rating	1/4 HP



## Dimensions

### Condensing unit

Height x Width x Depth	272 x 300 x 380 [mm] / 10,7 x 11,8 x 15 [in]
Weight	17kg / 37,5lbs
Suction adapter	OD ø8mm / 1/3in
Discharge adapter	OD ø6mm / 1/4in
Process connector	ø6,5mm / 0,26in



### Package data

Height x Width x Depth	350 x 400 x 500 [mm] / 13,8 x 15,7 x 19,7 [in]
Weight	20kg / 44,1lbs

## Model

Designation **CU NL6.1MLX MG\_Z 230/1/50 CAP**

Sales code: 314L5004  
Engineering code: CUNL61MLX00CE

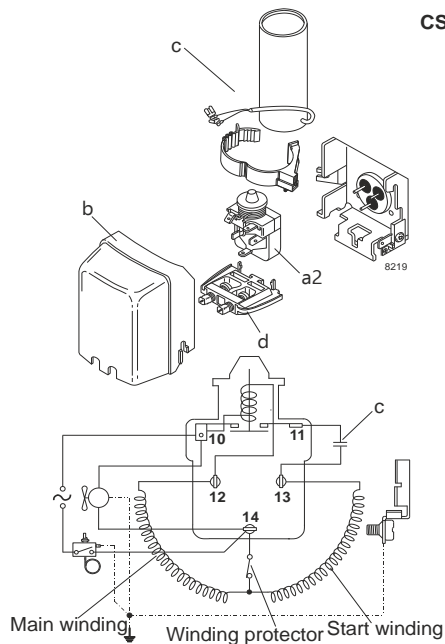
## Components Condensing-Unit / Spare Parts

Component	Type	Spare part code number
Compressor code	NL6.1MLX	105F3615
Condenser	Condenser (3 rows x 10 tubes)	1030240F70
Fan motor	10W	AA707710X
Blade code	ø230mm 22°	A230-22
Air flow	385,8m³/h	
Receiver code	not installed	-/-
Suction valve code	OD ø8mm / 1/3in	-/-
Liquid valve code	OD ø6mm / 1/4in	-/-

Compressor starting equipment	Spare part code number
pos. a2 - relay	117U6022
pos. c - start capacitor (80µF)	117U5015
pos. b - plastic cover	103N2011
pos. d - cord relief	103N1010

## Wiring Sketch Compressor

## Wiring Sketch Condensing Unit



## Model

Designation **CU NL6.1MLX MG\_Z 230/1/50 CAP**

Sales code: 314L5004

Engineering code: CUNL61MLX00CE

## Cooling performance - Conf. 1

Power supply	220-240V / 50Hz 1~	Voltage range	187 - 254V / 50Hz
Refr. charge - tech. limit	400g / 14,1oz		
Starter	HST / capillary tube or expansion valve		
Motor configuration	CSIR		
Refrigerant	R404A		
Application	MBP		
Approvals	Eco design (EU) 2015/1095, CE, UK CA, VDE		

ambient temperature	[°C / °F]	25 / 77 (suction gas temperature [°C / °F]: 20 / 68, subcooling: 2K)						
evaporating temperature	[°C / °F]	-25 / -13	-20 / -4	-15 / 5	-10 / 14	0 / 32	5 / 41	10 / 50
cooling capacity	[W]	308	380	459	545	733	832	932
COP	[W/W]	1,29	1,44	1,59	1,72	1,97	2,07	2,15
cooling capacity	[Btu/h]	1052	1297	1567	1862	2502	2840	3183
power consumption	[W]	238	263	289	316	372	402	433
current consumption	[A]	2,1	2,2	2,2	2,3	2,5	2,6	2,7

ambient temperature	[°C / °F]	32 / 90 (suction gas temperature [°C / °F]: 20 / 68, subcooling: 2K)						
evaporating temperature	[°C / °F]	-25 / -13	-20 / -4	-15 / 5	-10 / 14	0 / 32	5 / 41	
cooling capacity	[W]	267	332	404	481	647	733	
COP	[W/W]	1,1	1,23	1,35	1,46	1,65	1,73	
cooling capacity	[Btu/h]	912	1135	1379	1641	2208	2504	
power consumption	[W]	242	270	299	329	391	424	
current consumption	[A]	2,1	2,2	2,3	2,4	2,6	2,7	

ambient temperature	[°C / °F]	38 / 100 (suction gas temperature [°C / °F]: 20 / 68, subcooling: 2K)			
evaporating temperature	[°C / °F]	-25 / -13	-20 / -4	-15 / 5	-10 / 14
cooling capacity	[W]	233	292	357	426
COP	[W/W]	0,95	1,05	1,16	1,25
cooling capacity	[Btu/h]	794	998	1218	1453
power consumption	[W]	246	277	309	341
current consumption	[A]	2,2	2,2	2,3	2,4

ambient temperature	[°C / °F]	43 / 109 (suction gas temperature [°C / °F]: 20 / 68, subcooling: 2K)	
evaporating temperature	[°C / °F]	-25 / -13	-20 / -4
cooling capacity	[W]	204	259
COP	[W/W]	0,81	0,91
cooling capacity	[Btu/h]	697	885
power consumption	[W]	251	284
current consumption	[A]	2,2	2,3

## Model

Designation **CU NL6.1MLX MG\_Z 230/1/50 CAP**

Sales code: 314L5004

Engineering code: CUNL61MLX00CE

## Cooling performance - Conf. 2

Power supply	220-240V / 50Hz 1~	Voltage range	187 - 254V / 50Hz
Refr. charge - tech. limit	400g / 14,1oz		
Starter	HST / capillary tube or expansion valve		
Motor configuration	CSIR		
Refrigerant	R452A		
Application	MBP		
Approvals	Eco design (EU) 2015/1095, CE, UK CA, VDE		

ambient temperature	[°C / °F]	25 / 77 (suction gas temperature [°C / °F]: 20 / 68, subcooling: 2K)						
evaporating temperature	[°C / °F]	-25 / -13	-20 / -4	-15 / 5	-10 / 14	0 / 32	5 / 41	10 / 50
cooling capacity	[W]	288	357	435	521	710	811	913
COP	[W/W]	1,29	1,45	1,6	1,74	2	2,11	2,18
cooling capacity	[Btu/h]	982	1220	1487	1778	2424	2768	3119
power consumption	[W]	223	247	272	299	355	385	418
current consumption	[A]	2,1	2,2	2,2	2,3	2,5	2,6	2,7

ambient temperature	[°C / °F]	32 / 90 (suction gas temperature [°C / °F]: 20 / 68, subcooling: 2K)						
evaporating temperature	[°C / °F]	-25 / -13	-20 / -4	-15 / 5	-10 / 14	0 / 32	5 / 41	
cooling capacity	[W]	250	313	384	461	629	718	
COP	[W/W]	1,11	1,24	1,37	1,48	1,69	1,76	
cooling capacity	[Btu/h]	852	1070	1312	1574	2148	2451	
power consumption	[W]	226	253	281	311	373	407	
current consumption	[A]	2,1	2,2	2,3	2,3	2,5	2,6	

ambient temperature	[°C / °F]	38 / 100 (suction gas temperature [°C / °F]: 20 / 68, subcooling: 2K)			
evaporating temperature	[°C / °F]	-25 / -13	-20 / -4	-15 / 5	-10 / 14
cooling capacity	[W]	218	276	340	409
COP	[W/W]	0,95	1,07	1,17	1,27
cooling capacity	[Btu/h]	744	944	1162	1398
power consumption	[W]	229	259	290	322
current consumption	[A]	2,1	2,2	2,3	2,4

ambient temperature	[°C / °F]	43 / 109 (suction gas temperature [°C / °F]: 20 / 68, subcooling: 2K)	
evaporating temperature	[°C / °F]	-25 / -13	-20 / -4
cooling capacity	[W]	192	246
COP	[W/W]	0,82	0,93
cooling capacity	[Btu/h]	654	839
power consumption	[W]	233	265
current consumption	[A]	2,1	2,2