

Model

Designation **CU NL7CLX MG_Z 230/1/50 VAL**



Sales code: 314L5001
Engineering code: CUNL7CLX000VE

Application Data

Power supply	220-240V / 50Hz 1~
Refrigerants	R404A-R452A
Refr. charge - tech. limit	400g / 14,1oz
Starter	HST / capillary tube or expansion valve
Sound pressure (10m)	29,5dB(A)

Configuration data

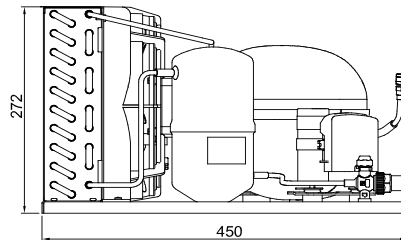
	Conf. 1	Conf. 2
Voltage range	198 - 254V / 50Hz	198 - 254V / 50Hz
Refrigerant	R404A	R452A
Application	LBP+MBP	LBP+MBP

Rated performance	<u>pe=-25°C, Tsuc=20°C, Tamb=25°C, subcooling: 2K</u>	
Cooling capacity	386W / 1318Btu/h	360W / 1228Btu/h
Power consumption	264,7W	247,9W
Current consumption	1,7A	1,6A
COP/EER	1,46 / 4,98Btu/Wh	1,45 / 4,95Btu/Wh

Approvals	Eco design (EU) 2015/1095, CE, UK CA, VDE	Eco design (EU) 2015/1095, CE, UK CA, VDE
-----------	--	--

Compressor

Designation	NL7CLX
Motor configuration	CSIR
Locked rotor amperage	11A
Rated load amperage	1,8A
Winding resistance main	8,7Ω
Winding resistance aux	13,8Ω
Oil quantity	300cm ³ / 10,1fl.oz
Oil type	POE
Horsepower rating	1/3 HP



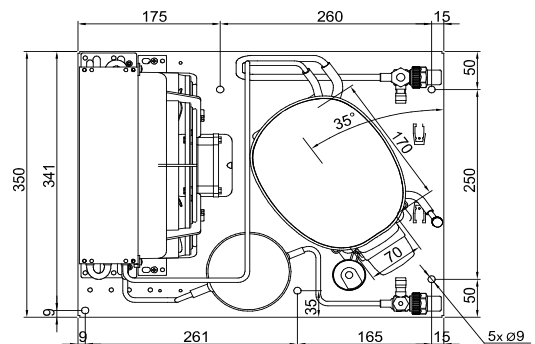
Dimensions

Condensing unit

Height x Width x Depth	272 x 350 x 450 [mm] / 10,7 x 13,8 x 17,7 [in]
Weight	18,2kg / 40,1lbs
Suction adapter	FLARE 1/4"
Discharge adapter	FLARE 1/4"
Process connector	ø6,2mm / 0,24in

Package data

Height x Width x Depth	350 x 450 x 550 [mm] / 13,8 x 17,7 x 21,7 [in]
Weight	21,2kg / 46,7lbs



Model

Designation **CU NL7CLX MG_Z 230/1/50 VAL**

Sales code: 314L5001
Engineering code: CUNL7CLX000VE

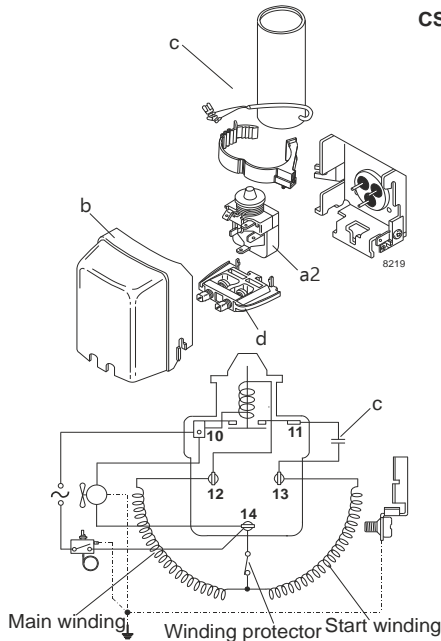
Components Condensing-Unit / Spare Parts

Component	Type	Spare part code number
Compressor code	NL7CLX	105F3710
Condenser	Condenser (3 rows x 10 tubes)	1030240F70
Fan motor	10W	AA707710X
Blade code	ø230mm 28°	A230-28
Air flow	385,8m³/h	
Receiver code	Receiver 1,3 liter	100/200VS00
Suction valve code	FLARE 1/4"	FLARE 1/4"
Liquid valve code	FLARE 1/4"	FLARE 1/4"

Compressor starting equipment	Spare part code number
pos. a2 - assy. relay	117U6002
pos. c - start capacitor (80µF)	117U5015
pos. b - plastic cover	103N2010
pos. d - cord relief	103N1010

Wiring Sketch Compressor

Wiring Sketch Condensing Unit



Model

Designation **CU NL7CLX MG_Z 230/1/50 VAL**

Sales code: 314L5001

Engineering code: CUNL7CLX000VE

Cooling performance - Conf. 1

Power supply	220-240V / 50Hz 1~	Voltage range	198 - 254V / 50Hz
Refr. charge - tech. limit	400g / 14,1oz		
Starter	HST / capillary tube or expansion valve		
Motor configuration	CSIR		
Refrigerant	R404A		
Application	LBP+MBP		
Approvals	Eco design (EU) 2015/1095, CE, UK CA, VDE		

ambient temperature	[°C / °F]	25 / 77 (suction gas temperature [°C / °F]: 20 / 68, subcooling: 2K)						
evaporating temperature	[°C / °F]	-45 / -49	-40 / -40	-35 / -31	-25 / -13	-20 / -4	-10 / 14	-5 / 23
cooling capacity	[W]	131	182	241	386	469	653	749
COP	[W/W]	0,83	1	1,16	1,46	1,57	1,69	1,69
cooling capacity	[Btu/h]	448	621	825	1318	1603	2229	2560
power consumption	[W]	158	182	207	265	299	387	442
current consumption	[A]	1,3	1,4	1,4	1,7	1,8	2,2	2,4

ambient temperature	[°C / °F]	32 / 90 (suction gas temperature [°C / °F]: 20 / 68, subcooling: 2K)						
evaporating temperature	[°C / °F]	-45 / -49	-40 / -40	-35 / -31	-25 / -13	-20 / -4	-10 / 14	-5 / 23
cooling capacity	[W]	118	163	215	343	416	577	662
COP	[W/W]	0,71	0,85	0,98	1,23	1,31	1,42	1,43
cooling capacity	[Btu/h]	402	556	736	1171	1421	1971	2261
power consumption	[W]	166	192	219	280	317	407	462
current consumption	[A]	1,4	1,4	1,5	1,7	1,9	2,2	2,5

ambient temperature	[°C / °F]	38 / 100 (suction gas temperature [°C / °F]: 20 / 68, subcooling: 2K)						
evaporating temperature	[°C / °F]	-45 / -49	-40 / -40	-35 / -31	-25 / -13	-20 / -4	-10 / 14	
cooling capacity	[W]	104	144	191	303	368	510	
COP	[W/W]	0,62	0,73	0,85	1,05	1,13	1,22	
cooling capacity	[Btu/h]	357	493	652	1036	1257	1742	
power consumption	[W]	168	196	225	289	327	419	
current consumption	[A]	1,4	1,4	1,5	1,8	1,9	2,3	

ambient temperature	[°C / °F]	43 / 109 (suction gas temperature [°C / °F]: 20 / 68, subcooling: 2K)						
evaporating temperature	[°C / °F]	-45 / -49	-40 / -40	-35 / -31	-25 / -13	-20 / -4		
cooling capacity	[W]	92	127	169	268	326		
COP	[W/W]	0,55	0,65	0,75	0,91	0,98		
cooling capacity	[Btu/h]	313	434	576	917	1114		
power consumption	[W]	166	195	226	293	331		
current consumption	[A]	1,4	1,4	1,5	1,8	1,9		

Model

Designation **CU NL7CLX MG_Z 230/1/50 VAL**

Sales code: 314L5001

Engineering code: CUNL7CLX000VE

Cooling performance - Conf. 2

Power supply	220-240V / 50Hz 1~	Voltage range	198 - 254V / 50Hz
Refr. charge - tech. limit	400g / 14,1oz		
Starter	HST / capillary tube or expansion valve		
Motor configuration	CSIR		
Refrigerant	R452A		
Application	LBP+MBP		
Approvals	Eco design (EU) 2015/1095, CE, UK CA, VDE		

ambient temperature	[°C / °F]	25 / 77 (suction gas temperature [°C / °F]: 20 / 68, subcooling: 2K)						
evaporating temperature	[°C / °F]	-45 / -49	-40 / -40	-35 / -31	-25 / -13	-20 / -4	-10 / 14	-5 / 23
cooling capacity	[W]	116	164	220	360	441	624	722
COP	[W/W]	0,79	0,96	1,14	1,45	1,57	1,7	1,72
cooling capacity	[Btu/h]	396	559	752	1228	1507	2131	2466
power consumption	[W]	147	170	193	248	281	366	419
current consumption	[A]	1,2	1,3	1,4	1,6	1,8	2,1	2,3

ambient temperature	[°C / °F]	32 / 90 (suction gas temperature [°C / °F]: 20 / 68, subcooling: 2K)						
evaporating temperature	[°C / °F]	-45 / -49	-40 / -40	-35 / -31	-25 / -13	-20 / -4	-10 / 14	-5 / 23
cooling capacity	[W]	103	145	196	320	392	554	641
COP	[W/W]	0,68	0,81	0,96	1,22	1,32	1,44	1,46
cooling capacity	[Btu/h]	350	497	669	1093	1340	1892	2188
power consumption	[W]	152	178	204	262	298	385	440
current consumption	[A]	1,2	1,3	1,4	1,7	1,8	2,2	2,4

ambient temperature	[°C / °F]	38 / 100 (suction gas temperature [°C / °F]: 20 / 68, subcooling: 2K)						
evaporating temperature	[°C / °F]	-45 / -49	-40 / -40	-35 / -31	-25 / -13	-20 / -4	-10 / 14	
cooling capacity	[W]	90	129	174	284	348	492	
COP	[W/W]	0,58	0,71	0,83	1,05	1,13	1,24	
cooling capacity	[Btu/h]	308	439	593	969	1189	1679	
power consumption	[W]	154	181	209	271	307	397	
current consumption	[A]	1,2	1,3	1,5	1,7	1,9	2,2	

ambient temperature	[°C / °F]	43 / 109 (suction gas temperature [°C / °F]: 20 / 68, subcooling: 2K)						
evaporating temperature	[°C / °F]	-45 / -49	-40 / -40	-35 / -31	-25 / -13	-20 / -4		
cooling capacity	[W]	79	113	153	252	310		
COP	[W/W]	0,52	0,63	0,73	0,92	0,99		
cooling capacity	[Btu/h]	269	386	524	861	1057		
power consumption	[W]	151	180	209	274	312		
current consumption	[A]	1,2	1,3	1,5	1,7	1,9		