

Model

Designation **CU NL8.4CLX MG_Z 230/1/50 VAL**



Sales code: 314L5003
Engineering code: CUNL84CLX00VE

Application Data

Power supply	220-240V / 50Hz 1~
Refrigerants	R404A-R452A
Refr. charge - tech. limit	400g / 14,1oz
Starter	HST / capillary tube or expansion valve
Sound pressure (10m)	28,5dB(A)

Configuration data

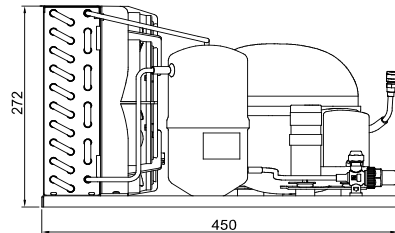
	Conf. 1	Conf. 2
Voltage range	198 - 254V / 50Hz	198 - 254V / 50Hz
Refrigerant	R404A	R452A
Application	LBP	LBP

Rated performance	<u>pe=-25°C, Tsuc=20°C, Tamb=25°C, subcooling: 2K</u>	
Cooling capacity	413W / 1409Btu/h	385W / 1316Btu/h
Power consumption	297,3W	276,3W
Current consumption	2,1A	1,8A
COP/EER	1,39 / 4,74Btu/Wh	1,39 / 4,76Btu/Wh

Approvals	Eco design (EU) 2015/1095, CE, UK CA, VDE	Eco design (EU) 2015/1095, CE, UK CA, VDE
-----------	--	--

Compressor

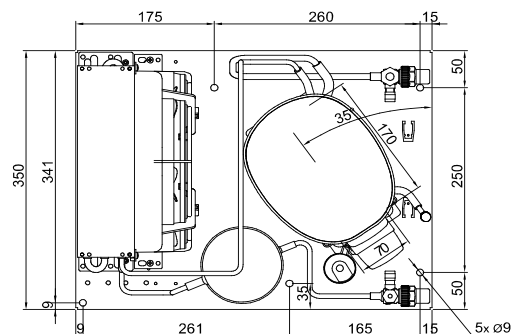
Designation	NL8.4CLX
Motor configuration	CSIR
Locked rotor amperage	13,7A
Rated load amperage	2,5A
Winding resistance main	6,1Ω
Winding resistance aux	16Ω
Oil quantity	300cm ³ / 10,1fl.oz
Oil type	POE
Horsepower rating	3/8 HP



Dimensions

Condensing unit

Height x Width x Depth	272 x 350 x 450 [mm] / 10,7 x 13,8 x 17,7 [in]
Weight	18,2kg / 40,1lbs
Suction adapter	FLARE 1/4"
Discharge adapter	FLARE 1/4"
Process connector	ø6,2mm / 0,24in



Package data

Height x Width x Depth	350 x 450 x 550 [mm] / 13,8 x 17,7 x 21,7 [in]
Weight	21,2kg / 46,7lbs

Model

Designation **CU NL8.4CLX MG_Z 230/1/50 VAL**

Sales code: 314L5003
Engineering code: CUNL84CLX00VE

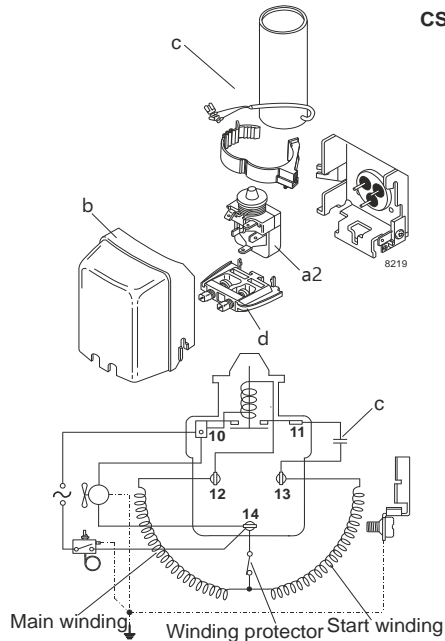
Components Condensing-Unit / Spare Parts

Component	Type	Spare part code number
Compressor code	NL8.4CLX	105F3800
Condenser	Condenser (3 rows x 10 tubes)	1030240F70
Fan motor	10W	AA707710X
Blade code	ø230mm 28°	A230-28
Air flow	385,8m³/h	
Receiver code	Receiver 1,3 liter	100/200VS00
Suction valve code	FLARE 1/4"	FLARE 1/4"
Liquid valve code	FLARE 1/4"	FLARE 1/4"

Compressor starting equipment	Spare part code number
pos. a2 - assy. relay	117U6003
pos. c - start capacitor (80µF)	117U5015
pos. b - plastic cover	103N2010
pos. d - cord relief	103N1010

Wiring Sketch Compressor

Wiring Sketch Condensing Unit



Model

Designation **CU NL8.4CLX MG_Z 230/1/50 VAL**

Sales code: 314L5003

Engineering code: CUNL84CLX00VE

Cooling performance - Conf. 1

Power supply	220-240V / 50Hz 1~	Voltage range	198 - 254V / 50Hz
Refr. charge - tech. limit	400g / 14,1oz		
Starter	HST / capillary tube or expansion valve		
Motor configuration	CSIR		
Refrigerant	R404A		
Application	LBP		
Approvals	Eco design (EU) 2015/1095, CE, UK CA, VDE		

ambient temperature	[°C / °F]	25 / 77 (suction gas temperature [°C / °F]: 20 / 68, subcooling: 2K)						
evaporating temperature	[°C / °F]	-45 / -49	-40 / -40	-35 / -31	-25 / -13	-20 / -4	-10 / 14	-5 / 23
cooling capacity	[W]	142	196	260	413	500	688	785
COP	[W/W]	0,82	0,97	1,13	1,39	1,48	1,56	1,56
cooling capacity	[Btu/h]	485	671	888	1409	1706	2350	2683
power consumption	[W]	174	202	231	297	338	440	503
current consumption	[A]	1,8	1,8	1,9	2,1	2,2	2,6	2,9

ambient temperature	[°C / °F]	32 / 90 (suction gas temperature [°C / °F]: 20 / 68, subcooling: 2K)						
evaporating temperature	[°C / °F]	-45 / -49	-40 / -40	-35 / -31	-25 / -13	-20 / -4	-10 / 14	-5 / 23
cooling capacity	[W]	127	175	231	365	441	606	691
COP	[W/W]	0,7	0,83	0,95	1,16	1,24	1,32	1,32
cooling capacity	[Btu/h]	435	599	790	1248	1507	2070	2359
power consumption	[W]	182	212	244	314	356	460	525
current consumption	[A]	1,8	1,8	1,9	2,2	2,3	2,7	3

ambient temperature	[°C / °F]	38 / 100 (suction gas temperature [°C / °F]: 20 / 68, subcooling: 2K)				
evaporating temperature	[°C / °F]	-45 / -49	-40 / -40	-35 / -31	-25 / -13	-20 / -4
cooling capacity	[W]	113	155	205	322	389
COP	[W/W]	0,61	0,71	0,82	1	1,06
cooling capacity	[Btu/h]	385	530	699	1101	1329
power consumption	[W]	185	217	250	323	367
current consumption	[A]	1,8	1,9	1,9	2,2	2,4

ambient temperature	[°C / °F]	43 / 109 (suction gas temperature [°C / °F]: 20 / 68, subcooling: 2K)			
evaporating temperature	[°C / °F]	-45 / -49	-40 / -40	-35 / -31	-25 / -13
cooling capacity	[W]	99	136	180	284
COP	[W/W]	0,54	0,63	0,72	0,87
cooling capacity	[Btu/h]	337	466	616	971
power consumption	[W]	182	216	250	326
current consumption	[A]	1,8	1,9	2	2,2

Model

Designation **CU NL8.4CLX MG_Z 230/1/50 VAL**

Sales code: 314L5003

Engineering code: CUNL84CLX00VE

Cooling performance - Conf. 2

Power supply	220-240V / 50Hz 1~	Voltage range	198 - 254V / 50Hz
Refr. charge - tech. limit	400g / 14,1oz		
Starter	HST / capillary tube or expansion valve		
Motor configuration	CSIR		
Refrigerant	R452A		
Application	LBP		
Approvals	Eco design (EU) 2015/1095, CE, UK CA, VDE		

ambient temperature	[°C / °F]	25 / 77 (suction gas temperature [°C / °F]: 20 / 68, subcooling: 2K)						
evaporating temperature	[°C / °F]	-45 / -49	-40 / -40	-35 / -31	-25 / -13	-20 / -4	-10 / 14	-5 / 23
cooling capacity	[W]	125	177	237	385	471	660	760
COP	[W/W]	0,79	0,96	1,11	1,39	1,5	1,59	1,59
cooling capacity	[Btu/h]	428	604	811	1316	1609	2254	2594
power consumption	[W]	159	185	213	276	315	414	477
current consumption	[A]	1,4	1,5	1,6	1,8	1,9	2,3	2,5

ambient temperature	[°C / °F]	32 / 90 (suction gas temperature [°C / °F]: 20 / 68, subcooling: 2K)						
evaporating temperature	[°C / °F]	-45 / -49	-40 / -40	-35 / -31	-25 / -13	-20 / -4	-10 / 14	-5 / 23
cooling capacity	[W]	111	157	211	342	418	584	672
COP	[W/W]	0,67	0,81	0,94	1,17	1,26	1,34	1,35
cooling capacity	[Btu/h]	379	537	721	1168	1427	1994	2293
power consumption	[W]	165	194	224	292	333	435	498
current consumption	[A]	1,5	1,6	1,7	1,8	2	2,4	2,6

ambient temperature	[°C / °F]	38 / 100 (suction gas temperature [°C / °F]: 20 / 68, subcooling: 2K)				
evaporating temperature	[°C / °F]	-45 / -49	-40 / -40	-35 / -31	-25 / -13	-20 / -4
cooling capacity	[W]	98	139	187	303	369
COP	[W/W]	0,59	0,71	0,82	1,01	1,08
cooling capacity	[Btu/h]	333	474	637	1033	1262
power consumption	[W]	166	197	229	301	343
current consumption	[A]	1,5	1,6	1,7	1,9	2

ambient temperature	[°C / °F]	43 / 109 (suction gas temperature [°C / °F]: 20 / 68, subcooling: 2K)			
evaporating temperature	[°C / °F]	-45 / -49	-40 / -40	-35 / -31	-25 / -13
cooling capacity	[W]	85	122	165	268
COP	[W/W]	0,52	0,63	0,72	0,88
cooling capacity	[Btu/h]	290	416	562	915
power consumption	[W]	162	195	229	304
current consumption	[A]	1,6	1,6	1,7	1,9