

Model

Designation **CU NL8.4CLX MG_Z 230/1/50 VAL**



Sales code: 314L5003
Engineering code: CUNL84CLX00VE

Application Data

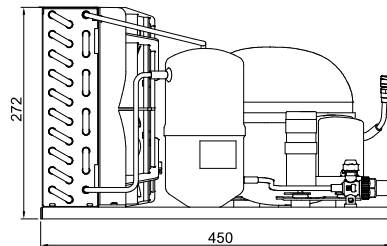
Power supply 220-240V / 50Hz 1~
Refrigerants R404A-R452A
Refr. charge - tech. limit 400g / 14,1oz
Starter HST / capillary tube or expansion valve
Sound pressure (10m) 28,5dB(A)

Configuration data

| | Conf. 1 | Conf. 2 |
|---------------------|---|-------------------|
| Voltage range | 198 - 254V / 50Hz | 198 - 254V / 50Hz |
| Refrigerant | R404A | R452A |
| Application | LBP | LBP |
| Rated performance | <u>pe=-25°C, Tsuc=20°C, Tamb=25°C, subcooling: 2K</u> | |
| Cooling capacity | 413W / 1409Btu/h | 385W / 1316Btu/h |
| Power consumption | 297,3W | 276,3W |
| Current consumption | 2,1A | 1,8A |
| COP/EER | 1,39 / 4,74Btu/Wh | 1,39 / 4,76Btu/Wh |
| Approvals | CE, UK CA, VDE | CE, UK CA, VDE |

Compressor

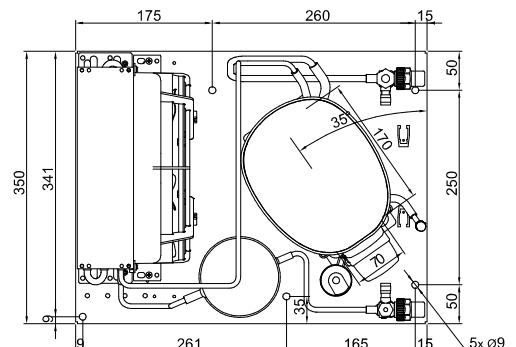
Designation **NL8.4CLX**
Motor configuration CSIR
Locked rotor amperage 13,7A
Rated load amperage 2,5A
Winding resistance main 6,1Ω
Winding resistance aux 16Ω
Oil quantity 300cm³ / 10,1fl.oz
Oil type POE
Horsepower rating 3/8 HP



Dimensions

Condensing unit

Height x Width x Depth 272 x 350 x 450 [mm] / 10,7 x 13,8 x 17,7 [in]
Weight 18,2kg / 40,1lbs
Suction adapter FLARE 1/4"
Discharge adapter FLARE 1/4"
Process connector ø6,2mm / 0,24in



Package data

Height x Width x Depth 350 x 450 x 550 [mm] / 13,8 x 17,7 x 21,7 [in]
Weight 21,2kg / 46,7lbs

Model

Designation **CU NL8.4CLX MG_Z 230/1/50 VAL**

Sales code: 314L5003

Engineering code: CUNL84CLX00VE

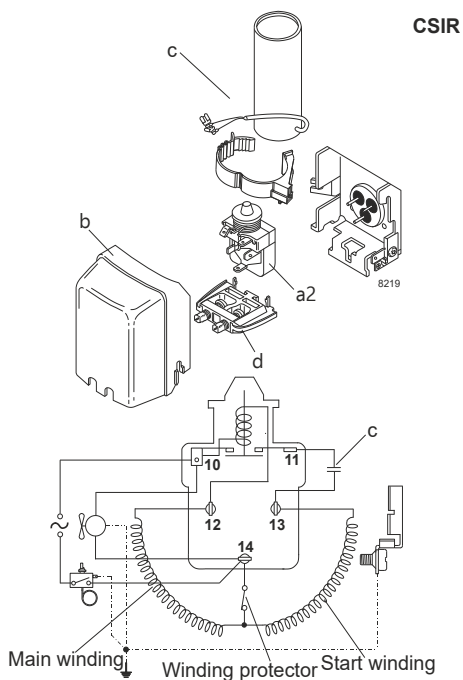
Components Condensing-Unit / Spare Parts

| Component | Type | Spare part code number |
|--------------------|-------------------------------|------------------------|
| Compressor code | NL8.4CLX | 105F3800 |
| Condenser | Condenser (3 rows x 10 tubes) | 1030240F70 |
| Fan motor | 10W | AA707710X |
| Blade code | ø230mm 28° | A230-28 |
| Air flow | 385,8m³/h | |
| Receiver code | Receiver 1,3 liter | 100/200VS00 |
| Suction valve code | FLARE 1/4" | FLARE 1/4" |
| Liquid valve code | FLARE 1/4" | FLARE 1/4" |

| Compressor starting equipment | Spare part code number |
|---------------------------------|------------------------|
| pos. a2 - assy. relay | 117U6003 |
| pos. c - start capacitor (80µF) | 117U5015 |
| pos. b - plastic cover | 103N2010 |
| pos. d - cord relief | 103N1010 |

Wiring Sketch Compressor

Wiring Sketch Condensing Unit



Model

| | | | |
|-------------|--------------------------------------|-------------------|---------------|
| Designation | CU NL8.4CLX MG_Z 230/1/50 VAL | Sales code: | 314L5003 |
| | | Engineering code: | CUNL84CLX00VE |

Cooling performance - Conf. 1

| | | | |
|----------------------------|---|---------------|-------------------|
| Power supply | 220-240V / 50Hz 1~ | Voltage range | 198 - 254V / 50Hz |
| Refr. charge - tech. limit | 400g / 14,1oz | | |
| Starter | HST / capillary tube or expansion valve | | |
| Motor configuration | CSIR | | |
| Refrigerant | R404A | | |
| Application | LBP | | |
| Approvals | CE, UK CA, VDE | | |

| ambient temperature | [°C / °F] | 25 / 77 (suction gas temperature [°C / °F]: 20 / 68, subcooling: 2K) | | | | | | |
|-------------------------|-----------|--|-----------|-----------|-----------|----------|----------|---------|
| evaporating temperature | [°C / °F] | -45 / -49 | -40 / -40 | -35 / -31 | -25 / -13 | -20 / -4 | -10 / 14 | -5 / 23 |
| cooling capacity | [W] | 142 | 196 | 260 | 413 | 500 | 688 | 785 |
| COP | [W/W] | 0,82 | 0,97 | 1,13 | 1,39 | 1,48 | 1,56 | 1,56 |
| cooling capacity | [Btu/h] | 485 | 671 | 888 | 1409 | 1706 | 2350 | 2683 |
| power consumption | [W] | 174 | 202 | 231 | 297 | 338 | 440 | 503 |
| current consumption | [A] | 1,8 | 1,8 | 1,9 | 2,1 | 2,2 | 2,6 | 2,9 |

| ambient temperature | [°C / °F] | 32 / 90 (suction gas temperature [°C / °F]: 20 / 68, subcooling: 2K) | | | | | | |
|-------------------------|-----------|--|-----------|-----------|-----------|----------|----------|---------|
| evaporating temperature | CE, / °F] | -45 / -49 | -40 / -40 | -35 / -31 | -25 / -13 | -20 / -4 | -10 / 14 | -5 / 23 |
| cooling capacity | [W] | 127 | 175 | 231 | 365 | 441 | 606 | 691 |
| COP | [W/W] | 0,7 | 0,83 | 0,95 | 1,16 | 1,24 | 1,32 | 1,32 |
| cooling capacity | [Btu/h] | 435 | 599 | 790 | 1248 | 1507 | 2070 | 2359 |
| power consumption | [W] | 182 | 212 | 244 | 314 | 356 | 460 | 525 |
| current consumption | [A] | 1,8 | 1,8 | 1,9 | 2,2 | 2,3 | 2,7 | 3 |

| ambient temperature | [°C / °F] | 38 / 100 (suction gas temperature [°C / °F]: 20 / 68, subcooling: 2K) | | | | |
|-------------------------|-----------|---|-----------|-----------|-----------|----------|
| evaporating temperature | [°C / °F] | -45 / -49 | -40 / -40 | -35 / -31 | -25 / -13 | -20 / -4 |
| cooling capacity | [W] | 113 | 155 | 205 | 322 | 389 |
| COP | [W/W] | 0,61 | 0,71 | 0,82 | 1 | 1,06 |
| cooling capacity | [Btu/h] | 385 | 530 | 699 | 1101 | 1329 |
| power consumption | [W] | 185 | 217 | 250 | 323 | 367 |
| current consumption | [A] | 1,8 | 1,9 | 1,9 | 2,2 | 2,4 |

| ambient temperature | [°C / °F] | 43 / 109 (suction gas temperature [°C / °F]: 20 / 68, subcooling: 2K) | | | |
|-------------------------|-----------|---|-----------|-----------|-----------|
| evaporating temperature | [°C / °F] | -45 / -49 | -40 / -40 | -35 / -31 | -25 / -13 |
| cooling capacity | [W] | 99 | 136 | 180 | 284 |
| COP | [W/W] | 0,54 | 0,63 | 0,72 | 0,87 |
| cooling capacity | [Btu/h] | 337 | 466 | 616 | 971 |
| power consumption | [W] | 182 | 216 | 250 | 326 |
| current consumption | [A] | 1,8 | 1,9 | 2 | 2,2 |

Model

| | | | |
|-------------|--------------------------------------|-------------------|---------------|
| Designation | CU NL8.4CLX MG_Z 230/1/50 VAL | Sales code: | 314L5003 |
| | | Engineering code: | CUNL84CLX00VE |

Cooling performance - Conf. 2

| | | | |
|----------------------------|---|---------------|-------------------|
| Power supply | 220-240V / 50Hz 1~ | Voltage range | 198 - 254V / 50Hz |
| Refr. charge - tech. limit | 400g / 14,1oz | | |
| Starter | HST / capillary tube or expansion valve | | |
| Motor configuration | CSIR | | |
| Refrigerant | R452A | | |
| Application | LBP | | |
| Approvals | CE, UK CA, VDE | | |

| ambient temperature | °C / °F | 25 / 77 | | | | | | | (suction gas temperature [°C / °F]: 20 / 68, subcooling: 2K) |
|-------------------------|-----------|-----------|-----------|-----------|-----------|----------|----------|---------|--|
| evaporating temperature | [°C / °F] | -45 / -49 | -40 / -40 | -35 / -31 | -25 / -13 | -20 / -4 | -10 / 14 | -5 / 23 | |
| cooling capacity | [W] | 125 | 177 | 237 | 385 | 471 | 660 | 760 | |
| COP | [W/W] | 0,79 | 0,96 | 1,11 | 1,39 | 1,5 | 1,59 | 1,59 | |
| cooling capacity | [Btu/h] | 428 | 604 | 811 | 1316 | 1609 | 2254 | 2594 | |
| power consumption | [W] | 159 | 185 | 213 | 276 | 315 | 414 | 477 | |
| current consumption | [A] | 1,4 | 1,5 | 1,6 | 1,8 | 1,9 | 2,3 | 2,5 | |

| ambient temperature | °C / °F | 32 / 90 | | | | | | | (suction gas temperature [°C / °F]: 20 / 68, subcooling: 2K) |
|-------------------------|----------|-----------|-----------|-----------|-----------|----------|----------|---------|--|
| evaporating temperature | CE, / °F | -45 / -49 | -40 / -40 | -35 / -31 | -25 / -13 | -20 / -4 | -10 / 14 | -5 / 23 | |
| cooling capacity | [W] | 111 | 157 | 211 | 342 | 418 | 584 | 672 | |
| COP | [W/W] | 0,67 | 0,81 | 0,94 | 1,17 | 1,26 | 1,34 | 1,35 | |
| cooling capacity | [Btu/h] | 379 | 537 | 721 | 1168 | 1427 | 1994 | 2293 | |
| power consumption | [W] | 165 | 194 | 224 | 292 | 333 | 435 | 498 | |
| current consumption | [A] | 1,5 | 1,6 | 1,7 | 1,8 | 2 | 2,4 | 2,6 | |

| ambient temperature | °C / °F | 38 / 100 | | | | | (suction gas temperature [°C / °F]: 20 / 68, subcooling: 2K) |
|-------------------------|-----------|-----------|-----------|-----------|-----------|----------|--|
| evaporating temperature | [°C / °F] | -45 / -49 | -40 / -40 | -35 / -31 | -25 / -13 | -20 / -4 | |
| cooling capacity | [W] | 98 | 139 | 187 | 303 | 369 | |
| COP | [W/W] | 0,59 | 0,71 | 0,82 | 1,01 | 1,08 | |
| cooling capacity | [Btu/h] | 333 | 474 | 637 | 1033 | 1262 | |
| power consumption | [W] | 166 | 197 | 229 | 301 | 343 | |
| current consumption | [A] | 1,5 | 1,6 | 1,7 | 1,9 | 2 | |

| ambient temperature | °C / °F | 43 / 109 | | | | (suction gas temperature [°C / °F]: 20 / 68, subcooling: 2K) |
|-------------------------|-----------|-----------|-----------|-----------|-----------|--|
| evaporating temperature | [°C / °F] | -45 / -49 | -40 / -40 | -35 / -31 | -25 / -13 | |
| cooling capacity | [W] | 85 | 122 | 165 | 268 | |
| COP | [W/W] | 0,52 | 0,63 | 0,72 | 0,88 | |
| cooling capacity | [Btu/h] | 290 | 416 | 562 | 915 | |
| power consumption | [W] | 162 | 195 | 229 | 304 | |
| current consumption | [A] | 1,6 | 1,6 | 1,7 | 1,9 | |