

Model

Designation

CU NLE12.6MF.2 MG_Y 230/1/50 CA



Sales code:

314G5010

Engineering code:

CUNLE126MF2CE

Application Data

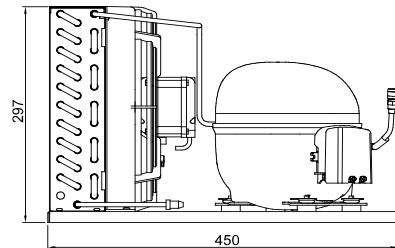
Power supply	220-240V / 50Hz 1~
Refrigerants	R134a-R513A
Refr. charge - tech. limit	600g / 21,2oz
Starter	HST / capillary tube or expansion valve
Sound pressure (10m)	36,1dB(A)

Configuration data

	Conf. 1	Conf. 2
Voltage range	198 - 254V / 50Hz	198 - 254V / 50Hz
Refrigerant	R134a	R513A
Application	LBP+MBP	LBP+MBP
Rated performance	<u>pe=-10°C, Tsuc=20°C, Tamb=25°C, subccoling: 2K</u>	
Cooling capacity	754W / 2576Btu/h	790W / 2696Btu/h
Power consumption	342,6W	361,7W
Current consumption	2,4A	2,5A
COP/EER	2,2 / 7,52Btu/Wh	2,18 / 7,45Btu/Wh
Approvals	Eco design (EU) 2015/1095, CE, UK CA, VDE	Eco design (EU) 2015/1095, CE, UK CA, VDE

Compressor

Designation	NLE12.6MF.2
Motor configuration	CSIR
Locked rotor amperage	13,65A
Rated load amperage	2,8A
Winding resistance main	4,94Ω
Winding resistance aux	8,89Ω
Oil quantity	300cm ³ / 10,1fl.oz
Oil type	POE
Horsepower rating	1/3 HP



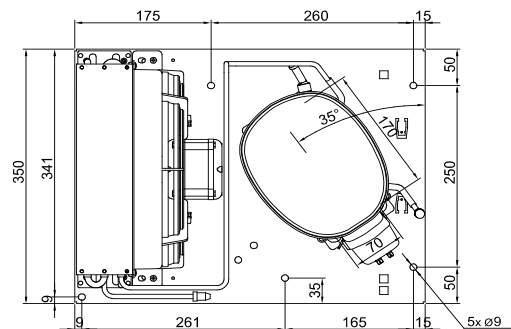
Dimensions

Condensing unit

Height x Width x Depth	297 x 350 x 450 [mm] / 11,7 x 13,8 x 17,7 [in]
Weight	17,9kg / 39,4lbs
Suction adapter	OD ø8mm / 1/3in
Discharge adapter	OD ø6mm / 1/4in
Process connector	ø6,2mm / 0,24in

Package data

Height x Width x Depth	350 x 450 x 550 [mm] / 13,8 x 17,7 x 21,7 [in]
Weight	20,9kg / 46lbs



Model

Designation **CU NLE12.6MF.2 MG_Y 230/1/50 CA**

Sales code: 314G5010
Engineering code: CUNLE126MF2CE

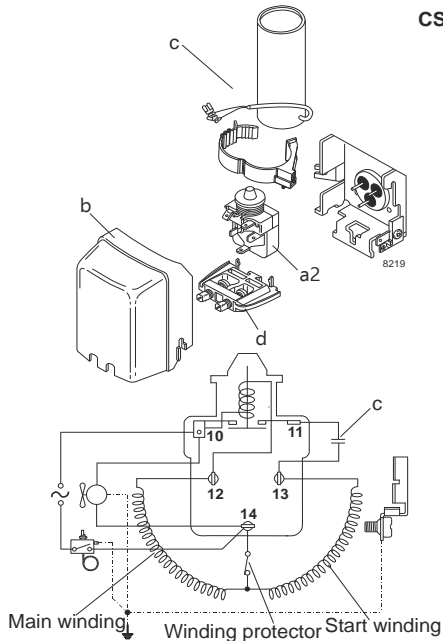
Components Condensing-Unit / Spare Parts

Component	Type	Spare part code number
Compressor code	NLE12.6MF.2	105G6389
Condenser	Condenser (3 rows x 11 tubes)	1130270F70
Fan motor	16W	NET3T16PVN018
Blade code	ø254mm 22°	A254-22
Air flow	631,8m³/h	
Receiver code	not installed	-/-
Suction valve code	OD ø8mm / 1/3in	-/-
Liquid valve code	OD ø6mm / 1/4in	-/-

Compressor starting equipment	Spare part code number
pos. a2 - relay	117U6005
pos. c - start capacitor (80µF)	117U5015
pos. b - plastic cover	103N2010
pos. d - cord relief	103N1010

Wiring Sketch Compressor

Wiring Sketch Condensing Unit



Model

Designation **CU NLE12.6MF.2 MG_Y 230/1/50 CA**

Sales code: 314G5010

Engineering code: CUNLE126MF2CE

Cooling performance - Conf. 1

Power supply	220-240V / 50Hz 1~	Voltage range	198 - 254V / 50Hz
Refr. charge - tech. limit	600g / 21,2oz		
Starter	HST / capillary tube or expansion valve		
Motor configuration	CSIR		
Refrigerant	R134a		
Application	LBP+MBP		
Approvals	Eco design (EU) 2015/1095, CE, UK CA, VDE		

ambient temperature	[°C / °F]	25 / 77 (suction gas temperature [°C / °F]: 20 / 68, subcooling: 2K)						
evaporating temperature	[°C / °F]	-35 / -31	-30 / -22	-25 / -13	-20 / -4	-10 / 14	0 / 32	10 / 50
cooling capacity	[W]	211	284	376	486	754	1078	1448
COP	[W/W]	1,09	1,3	1,52	1,75	2,2	2,57	2,81
cooling capacity	[Btu/h]	721	971	1286	1661	2575	3680	4945
power consumption	[W]	193	219	247	277	343	420	515
current consumption	[A]	2	2,1	2,1	2,2	2,4	2,6	3

ambient temperature	[°C / °F]	32 / 90 (suction gas temperature [°C / °F]: 20 / 68, subcooling: 2K)						
evaporating temperature	[°C / °F]	-35 / -31	-30 / -22	-25 / -13	-20 / -4	-10 / 14	0 / 32	10 / 50
cooling capacity	[W]	204	262	340	436	679	979	1328
COP	[W/W]	1,08	1,23	1,41	1,6	1,97	2,26	2,44
cooling capacity	[Btu/h]	697	895	1162	1491	2318	3343	4534
power consumption	[W]	189	213	241	272	345	434	545
current consumption	[A]	2	2,1	2,1	2,2	2,4	2,7	3,1

ambient temperature	[°C / °F]	38 / 100 (suction gas temperature [°C / °F]: 20 / 68, subcooling: 2K)						
evaporating temperature	[°C / °F]	-35 / -31	-30 / -22	-25 / -13	-20 / -4	-10 / 14	0 / 32	10 / 50
cooling capacity	[W]	196	242	308	393	615	896	1228
COP	[W/W]	1,03	1,13	1,27	1,43	1,75	1,99	2,14
cooling capacity	[Btu/h]	671	826	1052	1343	2099	3060	4193
power consumption	[W]	191	214	242	274	352	450	574
current consumption	[A]	2	2,1	2,1	2,2	2,4	2,7	3,2

ambient temperature	[°C / °F]	43 / 109 (suction gas temperature [°C / °F]: 20 / 68, subcooling: 2K)						
evaporating temperature	[°C / °F]	-35 / -31	-30 / -22	-25 / -13	-20 / -4	-10 / 14	0 / 32	10 / 50
cooling capacity	[W]	192	227	283	359	564	831	1149
COP	[W/W]	0,99	1,05	1,16	1,3	1,57	1,79	1,92
cooling capacity	[Btu/h]	657	775	967	1226	1926	2837	3925
power consumption	[W]	194	216	244	277	359	464	597
current consumption	[A]	2,1	2,1	2,1	2,2	2,4	2,8	3,3

Model

Designation **CU NLE12.6MF.2 MG_Y 230/1/50 CA**

Sales code: 314G5010

Engineering code: CUNLE126MF2CE

Cooling performance - Conf. 2

Power supply	220-240V / 50Hz 1~	Voltage range	198 - 254V / 50Hz
Refr. charge - tech. limit	600g / 21,2oz		
Starter	HST / capillary tube or expansion valve		
Motor configuration	CSIR		
Refrigerant	R513A		
Application	LBP+MBP		
Approvals	Eco design (EU) 2015/1095, CE, UK CA, VDE		

ambient temperature	[°C / °F]	25 / 77 (suction gas temperature [°C / °F]: 20 / 68, subcooling: 2K)						
evaporating temperature	[°C / °F]	-35 / -31	-30 / -22	-25 / -13	-20 / -4	-10 / 14	0 / 32	10 / 50
cooling capacity	[W]	238	313	408	520	789	1108	1463
COP	[W/W]	1,16	1,34	1,56	1,77	2,18	2,51	2,72
cooling capacity	[Btu/h]	813	1069	1393	1776	2696	3783	4995
power consumption	[W]	206	233	262	293	362	442	538
current consumption	[A]	2,1	2,1	2,2	2,3	2,5	2,7	3

ambient temperature	[°C / °F]	32 / 90 (suction gas temperature [°C / °F]: 20 / 68, subcooling: 2K)						
evaporating temperature	[°C / °F]	-35 / -31	-30 / -22	-25 / -13	-20 / -4	-10 / 14	0 / 32	10 / 50
cooling capacity	[W]	230	288	367	464	705	998	1329
COP	[W/W]	1,13	1,26	1,43	1,61	1,93	2,19	2,33
cooling capacity	[Btu/h]	787	984	1252	1585	2409	3409	4540
power consumption	[W]	204	228	257	289	365	456	570
current consumption	[A]	2	2,1	2,2	2,3	2,5	2,8	3,1

ambient temperature	[°C / °F]	38 / 100 (suction gas temperature [°C / °F]: 20 / 68, subcooling: 2K)						
evaporating temperature	[°C / °F]	-35 / -31	-30 / -22	-25 / -13	-20 / -4	-10 / 14	0 / 32	10 / 50
cooling capacity	[W]	224	266	331	416	634	906	1218
COP	[W/W]	1,07	1,15	1,28	1,42	1,7	1,92	2,03
cooling capacity	[Btu/h]	764	910	1132	1420	2165	3093	4159
power consumption	[W]	209	231	259	292	372	473	599
current consumption	[A]	2,1	2,1	2,2	2,3	2,5	2,8	3,2

ambient temperature	[°C / °F]	43 / 109 (suction gas temperature [°C / °F]: 20 / 68, subcooling: 2K)						
evaporating temperature	[°C / °F]	-35 / -31	-30 / -22	-25 / -13	-20 / -4	-10 / 14	0 / 32	10 / 50
cooling capacity	[W]	222	251	305	378	577	832	1129
COP	[W/W]	1,04	1,07	1,16	1,28	1,52	1,7	1,81
cooling capacity	[Btu/h]	757	859	1040	1292	1972	2843	3857
power consumption	[W]	214	235	263	296	380	488	624
current consumption	[A]	2,1	2,1	2,2	2,3	2,5	2,8	3,2