

Model

Designation **CU SC12MLX MG_Z 230/1/50 VAL**



Sales code: 314L4011
Engineering code: CUSC12MLX00VE

Application Data

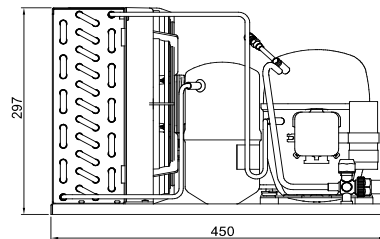
Power supply	220-240V / 50Hz 1~
Refrigerants	R404A-R452A-R449A
Refr. charge - tech. limit	1300g / 45,9oz
Starter	HST / capillary tube or expansion valve
Sound pressure (10m)	33,6dB(A)

Configuration data

	Conf. 1	Conf. 2	Conf. 3
Voltage range	187 - 254V / 50Hz	187 - 254V / 50Hz	187 - 254V / 50Hz
Refrigerant	R404A	R452A	R449A
Application	MBP	MBP	MBP
Rated performance	<u>pe=-10°C, Tsuc=20°C, Tamb=25°C, subcooling: 2K</u>		
Cooling capacity	1088W / 3715Btu/h	1037W / 3541Btu/h	1005W / 3431Btu/h
Power consumption	614,9W	584,7W	550,1W
Current consumption	4,1A	4A	3,9A
COP/EER	1,77 / 6,04Btu/Wh	1,77 / 6,06Btu/Wh	1,83 / 6,24Btu/Wh
Approvals	Eco design (EU) 2015/1095, CE, UK CA, VDE	Eco design (EU) 2015/1095, CE, UK CA, VDE	Eco design (EU) 2015/1095, CE

Compressor

Designation	SC12MLX
Motor configuration	CSIR
Locked rotor amperage	23,4A
Rated load amperage	4,3A
Winding resistance main	3,4Ω
Winding resistance aux	14,4Ω
Oil quantity	550cm ³ / 18,6fl.oz
Oil type	POE
Horsepower rating	1/2 HP



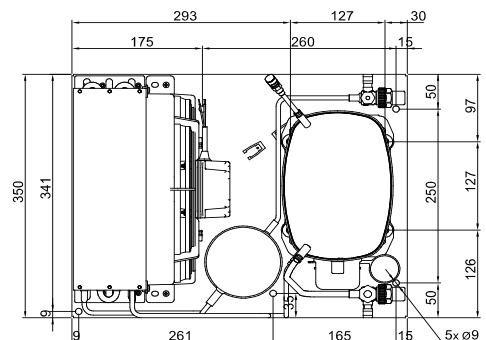
Dimensions

Condensing unit

Height x Width x Depth	297 x 350 x 450 [mm] / 11,7 x 13,8 x 17,7 [in]
Weight	21,5kg / 47,5lbs
Suction adapter	FLARE 1/4"
Discharge adapter	FLARE 1/4"
Process connector	ø6,5mm / 0,26in

Package data

Height x Width x Depth	350 x 450 x 550 [mm] / 13,8 x 17,7 x 21,7 [in]
Weight	24,5kg / 54,1lbs



Model

Designation **CU SC12MLX MG_Z 230/1/50 VAL**

Sales code: 314L4011
Engineering code: CUSC12MLX00VE

Components Condensing-Unit / Spare Parts

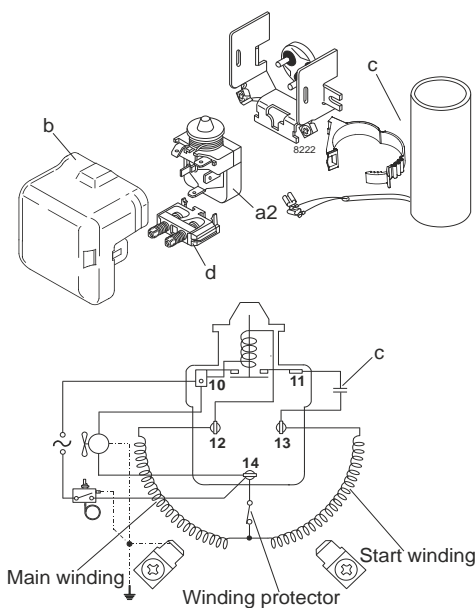
Component	Type	Spare part code number
Compressor code	SC12MLX	104L2606
Condenser	Condenser (4 rows x 11 tubes)	1140270F71
Fan motor		62010155
Blade code	ø254mm 28°	A254-28
Air flow	576,9m³/h	
Receiver code	Receiver 1,3 liter	100/200VS00
Suction valve code	FLARE 1/4"	FLARE 1/4"
Liquid valve code	FLARE 1/4"	FLARE 1/4"

Compressor starting equipment	Spare part code number
pos. a2 - relay	117U6011
pos. c - start capacitor (80µF)	117U5017
pos. d - cord relief	103N1004
pos. b - plastic cover	103N2008

Wiring Sketch Compressor

Wiring Sketch Condensing Unit

CSIR



Model

Designation **CU SC12MLX MG_Z 230/1/50 VAL**

Sales code: 314L4011

Engineering code: CUSC12MLX00VE

Cooling performance - Conf. 1

Power supply	220-240V / 50Hz 1~	Voltage range	187 - 254V / 50Hz
Refr. charge - tech. limit	1300g / 45,9oz		
Starter	HST / capillary tube or expansion valve		
Motor configuration	CSIR		
Refrigerant	R404A		
Application	MBP		
Approvals	Eco design (EU) 2015/1095 CE, UK CA, VDE		

ambient temperature	[°C / °F]	25 / 77 (suction gas temperature [°C / °F]: 20 / 68, subcooling: 2K)						
evaporating temperature	[°C / °F]	-25 / -13	-20 / -4	-15 / 5	-10 / 14	0 / 32	5 / 41	10 / 50
cooling capacity	[W]	628	762	917	1087	1465	1662	1859
COP	[W/W]	1,34	1,48	1,63	1,77	2	2,08	2,13
cooling capacity	[Btu/h]	2146	2604	3131	3714	5002	5675	6350
power consumption	[W]	469	514	562	615	733	800	871
current consumption	[A]	3,7	3,8	3,9	4,1	4,6	4,9	5,2

ambient temperature	[°C / °F]	32 / 90 (suction gas temperature [°C / °F]: 20 / 68, subcooling: 2K)						
evaporating temperature	[°C / °F]	-25 / -13	-20 / -4	-15 / 5	-10 / 14	0 / 32	5 / 41	
cooling capacity	[W]	550	670	807	957	1283	1453	
COP	[W/W]	1,13	1,25	1,37	1,48	1,66	1,72	
cooling capacity	[Btu/h]	1879	2290	2756	3267	4383	4963	
power consumption	[W]	485	535	589	646	773	844	
current consumption	[A]	3,7	3,8	4	4,2	4,7	5	

ambient temperature	[°C / °F]	38 / 100 (suction gas temperature [°C / °F]: 20 / 68, subcooling: 2K)			
evaporating temperature	[°C / °F]	-25 / -13	-20 / -4	-15 / 5	-10 / 14
cooling capacity	[W]	480	589	710	842
COP	[W/W]	0,97	1,07	1,16	1,25
cooling capacity	[Btu/h]	1641	2012	2425	2877
power consumption	[W]	495	551	610	672
current consumption	[A]	3,7	3,9	4,1	4,3

ambient temperature	[°C / °F]	43 / 109 (suction gas temperature [°C / °F]: 20 / 68, subcooling: 2K)	
evaporating temperature	[°C / °F]	-25 / -13	-20 / -4
cooling capacity	[W]	420	519
COP	[W/W]	0,84	0,93
cooling capacity	[Btu/h]	1435	1772
power consumption	[W]	499	561
current consumption	[A]	3,7	3,9

Model

Designation **CU SC12MLX MG_Z 230/1/50 VAL**

Sales code: 314L4011

Engineering code: CUSC12MLX00VE

Cooling performance - Conf. 2

Power supply	220-240V / 50Hz 1~	Voltage range	187 - 254V / 50Hz
Refr. charge - tech. limit	1300g / 45,9oz		
Starter	HST / capillary tube or expansion valve		
Motor configuration	CSIR		
Refrigerant	R452A		
Application	MBP		
Approvals	Eco design (EU) 2015/1095, CE, UK CA, VDE		

ambient temperature	[°C / °F]	25 / 77 (suction gas temperature [°C / °F]: 20 / 68, subcooling: 2K)						
evaporating temperature	[°C / °F]	-25 / -13	-20 / -4	-15 / 5	-10 / 14	0 / 32	5 / 41	10 / 50
cooling capacity	[W]	585	716	867	1037	1416	1616	1819
COP	[W/W]	1,33	1,48	1,63	1,77	2,01	2,1	2,16
cooling capacity	[Btu/h]	1998	2444	2962	3540	4834	5520	6214
power consumption	[W]	441	485	533	585	704	771	844
current consumption	[A]	3,6	3,7	3,9	4	4,4	4,6	4,9

ambient temperature	[°C / °F]	32 / 90 (suction gas temperature [°C / °F]: 20 / 68, subcooling: 2K)						
evaporating temperature	[°C / °F]	-25 / -13	-20 / -4	-15 / 5	-10 / 14	0 / 32	5 / 41	
cooling capacity	[W]	513	631	765	915	1246	1420	
COP	[W/W]	1,13	1,25	1,37	1,49	1,68	1,74	
cooling capacity	[Btu/h]	1751	2154	2613	3126	4255	4849	
power consumption	[W]	455	504	557	614	743	815	
current consumption	[A]	3,6	3,8	4	4,1	4,5	4,8	

ambient temperature	[°C / °F]	38 / 100 (suction gas temperature [°C / °F]: 20 / 68, subcooling: 2K)			
evaporating temperature	[°C / °F]	-25 / -13	-20 / -4	-15 / 5	-10 / 14
cooling capacity	[W]	449	556	676	808
COP	[W/W]	0,97	1,07	1,17	1,26
cooling capacity	[Btu/h]	1533	1897	2309	2761
power consumption	[W]	464	519	577	640
current consumption	[A]	3,7	3,8	4	4,2

ambient temperature	[°C / °F]	43 / 109 (suction gas temperature [°C / °F]: 20 / 68, subcooling: 2K)		
evaporating temperature	[°C / °F]	-25 / -13	-20 / -4	-15 / 5
cooling capacity	[W]	394	491	599
COP	[W/W]	0,84	0,93	1,01
cooling capacity	[Btu/h]	1344	1677	2047
power consumption	[W]	468	529	592
current consumption	[A]	3,7	3,9	4,1

Model

Designation **CU SC12MLX MG_Z 230/1/50 VAL**

Sales code: 314L4011

Engineering code: CUSC12MLX00VE

Cooling performance - Conf. 3

Power supply	220-240V / 50Hz 1~	Voltage range	187 - 254V / 50Hz
Refr. charge - tech. limit	1300g / 45,9oz		
Starter	HST / capillary tube or expansion valve		
Motor configuration	CSIR		
Refrigerant	R449A		
Application	MBP		
Approvals	Eco design (EU) 2015/1095, CE		

ambient temperature	[°C / °F]	25 / 77 (suction gas temperature [°C / °F]: 20 / 68, subcooling: 2K)						
evaporating temperature	[°C / °F]	-20 / -4	-15 / 5	-10 / 14	-5 / 23	0 / 32	5 / 41	10 / 50
cooling capacity	[W]	679	831	1004	1195	1401	1617	1840
COP	[W/W]	1,5	1,67	1,83	1,97	2,1	2,2	2,27
cooling capacity	[Btu/h]	2318	2839	3430	4083	4785	5523	6283
power consumption	[W]	452	499	550	606	668	736	810
current consumption	[A]	3,6	3,7	3,9	4,1	4,3	4,6	4,8

ambient temperature	[°C / °F]	32 / 90 (suction gas temperature [°C / °F]: 20 / 68, subcooling: 2K)						
evaporating temperature	[°C / °F]	-20 / -4	-15 / 5	-10 / 14	-5 / 23	0 / 32	5 / 41	
cooling capacity	[W]	605	742	898	1068	1250	1442	
COP	[W/W]	1,28	1,42	1,55	1,67	1,77	1,85	
cooling capacity	[Btu/h]	2067	2536	3066	3647	4269	4924	
power consumption	[W]	471	523	579	640	707	779	
current consumption	[A]	3,6	3,8	4	4,2	4,5	4,7	

ambient temperature	[°C / °F]	38 / 100 (suction gas temperature [°C / °F]: 20 / 68, subcooling: 2K)			
evaporating temperature	[°C / °F]	-20 / -4	-15 / 5	-10 / 14	-5 / 23
cooling capacity	[W]	540	665	804	956
COP	[W/W]	1,11	1,22	1,33	1,43
cooling capacity	[Btu/h]	1844	2270	2746	3265
power consumption	[W]	486	543	604	670
current consumption	[A]	3,7	3,9	4,1	4,3

ambient temperature	[°C / °F]	43 / 109 (suction gas temperature [°C / °F]: 20 / 68, subcooling: 2K)	
evaporating temperature	[°C / °F]	-20 / -4	-15 / 5
cooling capacity	[W]	483	597
COP	[W/W]	0,97	1,07
cooling capacity	[Btu/h]	1651	2040
power consumption	[W]	496	558
current consumption	[A]	3,7	3,9