

## Model

Designation

**CU SC15CLX.2 MG\_Z 230/1/50 CAP**



Sales code:

314L4002

Engineering code:

CUSC15CLX20CE

## Application Data

Power supply	220-240V / 50Hz 1~
Refrigerants	R404A-R452A
Refr. charge - tech. limit	1300g / 45,9oz
Starter	HST / capillary tube or expansion valve
Sound pressure (10m)	34,6dB(A)

## Configuration data

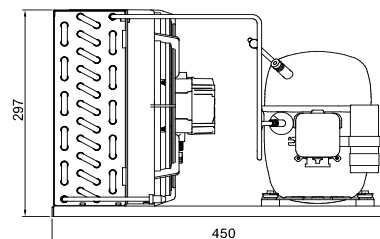
	Conf. 1	Conf. 2
Voltage range	198 - 254V / 50Hz	198 - 254V / 50Hz
Refrigerant	R404A	R452A
Application	LBP	LBP

Rated performance	<u>pe=-25°C, Tsuc=20°C, Tamb=25°C, subcooling: 2K</u>	
Cooling capacity	732W / 2499Btu/h	688W / 2348Btu/h
Power consumption	563,1W	527,7W
Current consumption	3,7A	3,4A
COP/EER	1,3 / 4,44Btu/Wh	1,3 / 4,45Btu/Wh

Approvals	Eco design (EU) 2015/1095, CE, UK CA, VDE	Eco design (EU) 2015/1095, CE, UK CA, VDE

## Compressor

Designation	<b>SC15CLX.2</b>
Motor configuration	CSIR
Locked rotor amperage	20,43A
Rated load amperage	3,9A
Winding resistance main	3,7Ω
Winding resistance aux	14Ω
Oil quantity	500cm <sup>3</sup> / 16,9fl.oz
Oil type	POE
Horsepower rating	3/4 HP



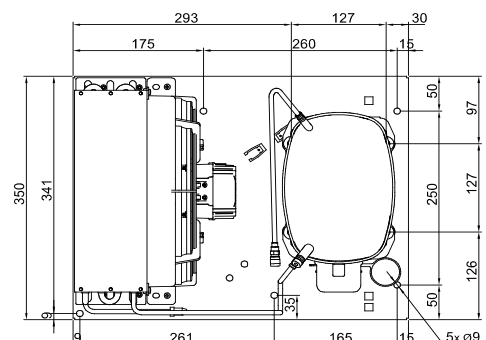
## Dimensions

### Condensing unit

Height x Width x Depth	297 x 350 x 450 [mm] / 11,7 x 13,8 x 17,7 [in]
Weight	20kg / 44,1lbs
Suction adapter	OD ø10mm / 2/5in
Discharge adapter	OD ø6mm / 1/4in
Process connector	ø6,2mm / 0,24in

### Package data

Height x Width x Depth	350 x 450 x 550 [mm] / 13,8 x 17,7 x 21,7 [in]
Weight	23kg / 50,7lbs



## Model

Designation **CU SC15CLX.2 MG\_Z 230/1/50 CAP**

Sales code: 314L4002  
Engineering code: CUSC15CLX20CE

## Components Condensing-Unit / Spare Parts

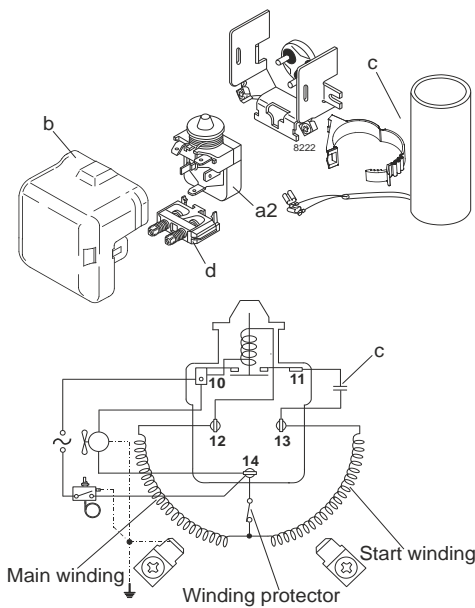
Component	Type	Spare part code number
Compressor code	SC15CLX.2	104L2890
Condenser	Condenser (4 rows x 11 tubes)	1140270F71
Fan motor		62010155
Blade code	ø254mm 28°	A254-28
Air flow	576,9m³/h	
Receiver code	not installed	-/-
Suction valve code	OD ø10mm / 2/5in	-/-
Liquid valve code	OD ø6mm / 1/4in	-/-

Compressor starting equipment	Spare part code number
pos. a2 - relay	117U6019
pos. c - start capacitor (80µF)	117U5017
pos. d - cord relief	103N1004
pos. b - plastic cover	103N2009

## Wiring Sketch Compressor

## Wiring Sketch Condensing Unit

CSIR



## Model

Designation **CU SC15CLX.2 MG\_Z 230/1/50 CAP**

Sales code: 314L4002

Engineering code: CUSC15CLX20CE

## Cooling performance - Conf. 1

Power supply	220-240V / 50Hz 1~	Voltage range	198 - 254V / 50Hz
Refr. charge - tech. limit	1300g / 45,9oz		
Starter	HST / capillary tube or expansion valve		
Motor configuration	CSIR		
Refrigerant	R404A		
Application	LBP		
Approvals	Eco design (EU) 2015/1095, CE, UK CA, VDE		

ambient temperature	[°C / °F]	25 / 77 (suction gas temperature [°C / °F]: 20 / 68, subcooling: 2K)						
evaporating temperature	[°C / °F]	-45 / -49	-40 / -40	-35 / -31	-30 / -22	-25 / -13	-20 / -4	-10 / 14
cooling capacity	[W]	269	361	469	593	732	885	1226
COP	[W/W]	0,81	0,94	1,06	1,19	1,3	1,4	1,54
cooling capacity	[Btu/h]	917	1231	1600	2024	2499	3023	4186
power consumption	[W]	334	386	441	500	563	633	796
current consumption	[A]	3,1	3,2	3,4	3,5	3,7	4	4,5

ambient temperature	[°C / °F]	32 / 90 (suction gas temperature [°C / °F]: 20 / 68, subcooling: 2K)						
evaporating temperature	[°C / °F]	-45 / -49	-40 / -40	-35 / -31	-30 / -22	-25 / -13	-20 / -4	-10 / 14
cooling capacity	[W]	219	304	403	516	642	780	1086
COP	[W/W]	0,67	0,79	0,91	1,02	1,11	1,2	1,32
cooling capacity	[Btu/h]	749	1040	1377	1762	2192	2663	3707
power consumption	[W]	328	386	445	508	576	650	822
current consumption	[A]	3	3,2	3,4	3,6	3,8	4	4,6

ambient temperature	[°C / °F]	38 / 100 (suction gas temperature [°C / °F]: 20 / 68, subcooling: 2K)						
evaporating temperature	[°C / °F]	-45 / -49	-40 / -40	-35 / -31	-30 / -22	-25 / -13	-20 / -4	
cooling capacity	[W]	176	255	346	449	563	688	
COP	[W/W]	0,55	0,67	0,77	0,87	0,96	1,03	
cooling capacity	[Btu/h]	601	871	1181	1533	1923	2349	
power consumption	[W]	320	383	448	516	588	667	
current consumption	[A]	3	3,2	3,4	3,6	3,8	4,1	

ambient temperature	[°C / °F]	43 / 109 (suction gas temperature [°C / °F]: 20 / 68, subcooling: 2K)				
evaporating temperature	[°C / °F]	-45 / -49	-40 / -40	-35 / -31	-30 / -22	-25 / -13
cooling capacity	[W]	140	213	297	392	496
COP	[W/W]	0,45	0,56	0,66	0,75	0,83
cooling capacity	[Btu/h]	476	729	1016	1338	1694
power consumption	[W]	311	379	449	521	599
current consumption	[A]	3	3,2	3,4	3,6	3,8

## Model

Designation **CU SC15CLX.2 MG\_Z 230/1/50 CAP**

Sales code: 314L4002

Engineering code: CUSC15CLX20CE

## Cooling performance - Conf. 2

Power supply	220-240V / 50Hz 1~	Voltage range	198 - 254V / 50Hz
Refr. charge - tech. limit	1300g / 45,9oz		
Starter	HST / capillary tube or expansion valve		
Motor configuration	CSIR		
Refrigerant	R452A		
Application	LBP		
Approvals	Eco design (EU) 2015/1095, CE, UK CA, VDE		

ambient temperature	[°C / °F]	25 / 77 (suction gas temperature [°C / °F]: 20 / 68, subcooling: 2K)						
evaporating temperature	[°C / °F]	-45 / -49	-40 / -40	-35 / -31	-30 / -22	-25 / -13	-20 / -4	-10 / 14
cooling capacity	[W]	244	331	433	553	687	838	1177
COP	[W/W]	0,79	0,92	1,05	1,18	1,3	1,41	1,56
cooling capacity	[Btu/h]	832	1129	1480	1887	2348	2861	4021
power consumption	[W]	310	359	411	467	528	595	754
current consumption	[A]	2,8	2,9	3	3,2	3,4	3,6	4,2

ambient temperature	[°C / °F]	32 / 90 (suction gas temperature [°C / °F]: 20 / 68, subcooling: 2K)						
evaporating temperature	[°C / °F]	-45 / -49	-40 / -40	-35 / -31	-30 / -22	-25 / -13	-20 / -4	-10 / 14
cooling capacity	[W]	198	279	373	482	605	740	1047
COP	[W/W]	0,65	0,78	0,9	1,02	1,12	1,21	1,34
cooling capacity	[Btu/h]	675	952	1275	1647	2065	2528	3577
power consumption	[W]	304	358	414	474	540	611	779
current consumption	[A]	2,8	2,9	3	3,2	3,4	3,7	4,3

ambient temperature	[°C / °F]	38 / 100 (suction gas temperature [°C / °F]: 20 / 68, subcooling: 2K)						
evaporating temperature	[°C / °F]	-45 / -49	-40 / -40	-35 / -31	-30 / -22	-25 / -13	-20 / -4	-10 / 14
cooling capacity	[W]	158	234	321	421	532	656	934
COP	[W/W]	0,53	0,66	0,77	0,88	0,97	1,05	1,16
cooling capacity	[Btu/h]	541	798	1097	1436	1819	2240	3189
power consumption	[W]	296	355	416	481	551	627	804
current consumption	[A]	2,7	2,9	3	3,2	3,5	3,7	4,4

ambient temperature	[°C / °F]	43 / 109 (suction gas temperature [°C / °F]: 20 / 68, subcooling: 2K)						
evaporating temperature	[°C / °F]	-45 / -49	-40 / -40	-35 / -31	-30 / -22	-25 / -13	-20 / -4	
cooling capacity	[W]	126	196	277	369	471	584	
COP	[W/W]	0,44	0,56	0,66	0,76	0,84	0,91	
cooling capacity	[Btu/h]	429	670	947	1259	1609	1994	
power consumption	[W]	287	351	417	486	561	641	
current consumption	[A]	2,7	2,9	3	3,2	3,5	3,8	