

Model

Designation **CU SC15MLX MG_Z 230/1/50 VAL**



Sales code: 314L4013
Engineering code: CUSC15MLX00VE

Application Data

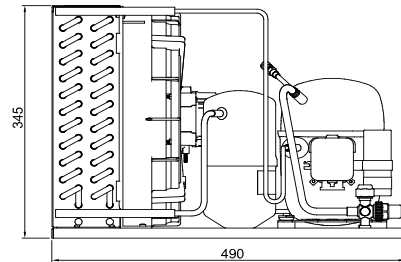
Power supply	220-240V / 50Hz 1~
Refrigerants	R404A-R452A-R449A
Refr. charge - tech. limit	1300g / 45,9oz
Starter	HST / capillary tube or expansion valve
Sound pressure (10m)	36,1dB(A)

Configuration data

	Conf. 1	Conf. 2	Conf. 3
Voltage range	198 - 254V / 50Hz	198 - 254V / 50Hz	198 - 254V / 50Hz
Refrigerant	R404A	R452A	R449A
Application	MBP	MBP	MBP
Rated performance	<u>pe=-10°C, Tsuc=20°C, Tamb=25°C, subcooling: 2K</u>		
Cooling capacity	1352W / 4619Btu/h	1289W / 4404Btu/h	1247W / 4260Btu/h
Power consumption	784,5W	744,6W	698,7W
Current consumption	4,8A	4,6A	4,4A
COP/EER	1,72 / 5,89Btu/Wh	1,73 / 5,91Btu/Wh	1,79 / 6,1Btu/Wh
Approvals	Eco design (EU) 2015/1095, CE, UK CA, VDE	Eco design (EU) 2015/1095, CE, UK CA, VDE	Eco design (EU) 2015/1095, CE

Compressor

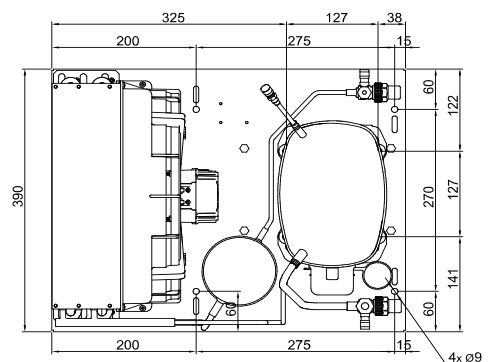
Designation	SC15MLX
Motor configuration	CSIR
Locked rotor amperage	23,5A
Rated load amperage	4,5A
Winding resistance main	3,3Ω
Winding resistance aux	16,5Ω
Oil quantity	550cm ³ / 18,6fl.oz
Oil type	POE
Horsepower rating	3/4 HP



Dimensions

Condensing unit

Height x Width x Depth	345 x 390 x 490 [mm] / 13,6 x 15,4 x 19,3 [in]
Weight	23,3kg / 51,4lbs
Suction adapter	FLARE 3/8"
Discharge adapter	FLARE 1/4"
Process connector	ø6,2mm / 0,24in



Package data

Height x Width x Depth	400 x 500 x 600 [mm] / 15,7 x 19,7 x 23,6 [in]
Weight	27,3kg / 60,2lbs

Model

Designation **CU SC15MLX MG_Z 230/1/50 VAL**

Sales code: 314L4013
Engineering code: CUSC15MLX00VE

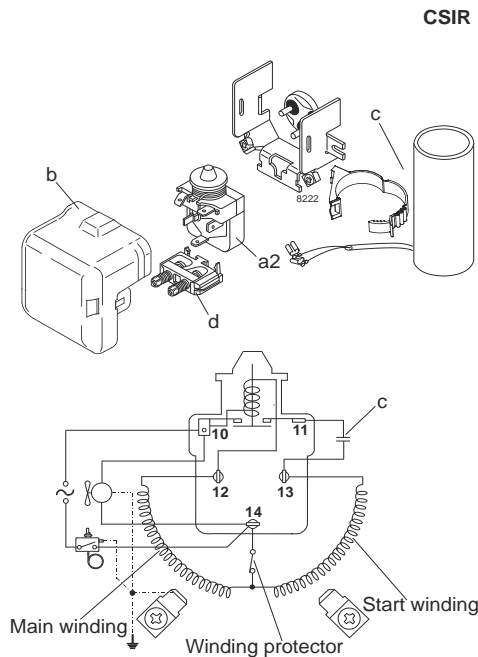
Components Condensing-Unit / Spare Parts

Component	Type	Spare part code number
Compressor code	SC15MLX	104L2869
Condenser	Condenser (4 rows x 13 tubes)	1340315F70
Fan motor		62010155
Blade code	ø300mm 19°	A300-19
Air flow	914,3m³/h	
Receiver code	Receiver 1,3 liter	100/200VS00
Suction valve code	FLARE 3/8"	FLARE 3/8"
Liquid valve code	FLARE 1/4"	FLARE 1/4"

Compressor starting equipment	Spare part code number
pos. a2 - relay	117U6013
pos. c - start capacitor (125µF)	117U5012
pos. d - cord relief	103N1004
pos. b - plastic cover	103N2009

Wiring Sketch Compressor

Wiring Sketch Condensing Unit



Model

Designation **CU SC15MLX MG_Z 230/1/50 VAL**

Sales code: 314L4013

Engineering code: CUSC15MLX00VE

Cooling performance - Conf. 1

Power supply	220-240V / 50Hz 1~	Voltage range	198 - 254V / 50Hz
Refr. charge - tech. limit	1300g / 45,9oz		
Starter	HST / capillary tube or expansion valve		
Motor configuration	CSIR		
Refrigerant	R404A		
Application	MBP		
Approvals	Eco design (EU) 2015/1095, CE, UK CA, VDE		

ambient temperature	[°C / °F]	25 / 77 (suction gas temperature [°C / °F]: 20 / 68, subcooling: 2K)						
evaporating temperature	[°C / °F]	-25 / -13	-20 / -4	-15 / 5	-10 / 14	0 / 32	5 / 41	10 / 50
cooling capacity	[W]	778	947	1139	1352	1830	2087	2349
COP	[W/W]	1,28	1,43	1,58	1,72	1,96	2,05	2,1
cooling capacity	[Btu/h]	2655	3233	3890	4618	6250	7128	8022
power consumption	[W]	608	663	721	785	932	1019	1117
current consumption	[A]	4	4,2	4,5	4,8	5,4	5,9	6,3

ambient temperature	[°C / °F]	32 / 90 (suction gas temperature [°C / °F]: 20 / 68, subcooling: 2K)						
evaporating temperature	[°C / °F]	-25 / -13	-20 / -4	-15 / 5	-10 / 14	0 / 32	5 / 41	
cooling capacity	[W]	683	835	1006	1196	1618	1843	
COP	[W/W]	1,12	1,25	1,37	1,48	1,66	1,72	
cooling capacity	[Btu/h]	2332	2851	3437	4085	5524	6293	
power consumption	[W]	608	670	736	808	974	1072	
current consumption	[A]	4	4,3	4,5	4,9	5,6	6,1	

ambient temperature	[°C / °F]	38 / 100 (suction gas temperature [°C / °F]: 20 / 68, subcooling: 2K)			
evaporating temperature	[°C / °F]	-25 / -13	-20 / -4	-15 / 5	-10 / 14
cooling capacity	[W]	605	740	892	1060
COP	[W/W]	0,98	1,08	1,18	1,26
cooling capacity	[Btu/h]	2065	2529	3048	3620
power consumption	[W]	615	684	758	838
current consumption	[A]	4	4,3	4,6	5

ambient temperature	[°C / °F]	43 / 109 (suction gas temperature [°C / °F]: 20 / 68, subcooling: 2K)		
evaporating temperature	[°C / °F]	-25 / -13	-20 / -4	-15 / 5
cooling capacity	[W]	543	663	798
COP	[W/W]	0,87	0,95	1,02
cooling capacity	[Btu/h]	1854	2265	2725
power consumption	[W]	624	701	783
current consumption	[A]	4,1	4,4	4,7

Model

Designation **CU SC15MLX MG_Z 230/1/50 VAL**

Sales code: 314L4013

Engineering code: CUSC15MLX00VE

Cooling performance - Conf. 2

Power supply	220-240V / 50Hz 1~	Voltage range	198 - 254V / 50Hz
Refr. charge - tech. limit	1300g / 45,9oz		
Starter	HST / capillary tube or expansion valve		
Motor configuration	CSIR		
Refrigerant	R452A		
Application	MBP		
Approvals	Eco design (EU) 2015/1095, CE, UK CA, VDE		

ambient temperature	[°C / °F]	25 / 77 (suction gas temperature [°C / °F]: 20 / 68, subcooling: 2K)						
evaporating temperature	[°C / °F]	-25 / -13	-20 / -4	-15 / 5	-10 / 14	0 / 32	5 / 41	10 / 50
cooling capacity	[W]	725	890	1078	1289	1768	2029	2298
COP	[W/W]	1,27	1,43	1,58	1,73	1,98	2,07	2,13
cooling capacity	[Btu/h]	2476	3039	3683	4404	6039	6929	7847
power consumption	[W]	570	624	682	745	892	980	1079
current consumption	[A]	3,8	4,1	4,3	4,6	5,2	5,6	6

ambient temperature	[°C / °F]	32 / 90 (suction gas temperature [°C / °F]: 20 / 68, subcooling: 2K)						
evaporating temperature	[°C / °F]	-25 / -13	-20 / -4	-15 / 5	-10 / 14	0 / 32	5 / 41	
cooling capacity	[W]	636	786	955	1144	1570	1800	
COP	[W/W]	1,12	1,25	1,37	1,49	1,68	1,75	
cooling capacity	[Btu/h]	2174	2683	3262	3907	5361	6147	
power consumption	[W]	569	630	695	766	932	1031	
current consumption	[A]	3,8	4,1	4,4	4,7	5,4	5,8	

ambient temperature	[°C / °F]	38 / 100 (suction gas temperature [°C / °F]: 20 / 68, subcooling: 2K)			
evaporating temperature	[°C / °F]	-25 / -13	-20 / -4	-15 / 5	-10 / 14
cooling capacity	[W]	564	698	850	1018
COP	[W/W]	0,98	1,09	1,19	1,28
cooling capacity	[Btu/h]	1927	2384	2901	3475
power consumption	[W]	573	641	714	794
current consumption	[A]	3,8	4,1	4,4	4,8

ambient temperature	[°C / °F]	43 / 109 (suction gas temperature [°C / °F]: 20 / 68, subcooling: 2K)		
evaporating temperature	[°C / °F]	-25 / -13	-20 / -4	-15 / 5
cooling capacity	[W]	507	627	761
COP	[W/W]	0,87	0,96	1,03
cooling capacity	[Btu/h]	1732	2140	2600
power consumption	[W]	581	656	736
current consumption	[A]	3,9	4,2	4,5

Model

Designation **CU SC15MLX MG_Z 230/1/50 VAL**

Sales code: 314L4013

Engineering code: CUSC15MLX00VE

Cooling performance - Conf. 3

Power supply	220-240V / 50Hz 1~	Voltage range	198 - 254V / 50Hz
Refr. charge - tech. limit	1300g / 45,9oz		
Starter	HST / capillary tube or expansion valve		
Motor configuration	CSIR		
Refrigerant	R449A		
Application	MBP		
Approvals	Eco design (EU) 2015/1095, CE		

ambient temperature	[°C / °F]	25 / 77 (suction gas temperature [°C / °F]: 20 / 68, subcooling: 2K)						
evaporating temperature	[°C / °F]	-15 / 5	-10 / 14	-6,7 / 20	-5 / 23	0 / 32	5 / 41	10 / 50
cooling capacity	[W]	1032	1247	1403	1488	1751	2032	2331
COP	[W/W]	1,62	1,78	1,89	1,95	2,08	2,2	2,28
cooling capacity	[Btu/h]	3524	4260	4792	5081	5979	6940	7960
power consumption	[W]	638	699	742	765	840	925	1022
current consumption	[A]	4,1	4,4	4,6	4,7	5	5,4	5,8

ambient temperature	[°C / °F]	32 / 90 (suction gas temperature [°C / °F]: 20 / 68, subcooling: 2K)						
evaporating temperature	[°C / °F]	-15 / 5	-10 / 14	-6,7 / 20	-5 / 23	0 / 32	5 / 41	
cooling capacity	[W]	924	1120	1261	1338	1576	1832	
COP	[W/W]	1,42	1,56	1,64	1,69	1,79	1,88	
cooling capacity	[Btu/h]	3155	3825	4308	4569	5383	6258	
power consumption	[W]	649	718	767	793	878	974	
current consumption	[A]	4,2	4,5	4,7	4,8	5,2	5,6	

ambient temperature	[°C / °F]	38 / 100 (suction gas temperature [°C / °F]: 20 / 68, subcooling: 2K)			
evaporating temperature	[°C / °F]	-15 / 5	-10 / 14	-6,7 / 20	-5 / 23
cooling capacity	[W]	831	1010	1138	1208
COP	[W/W]	1,25	1,36	1,43	1,46
cooling capacity	[Btu/h]	2838	3448	3888	4124
power consumption	[W]	667	743	797	827
current consumption	[A]	4,2	4,6	4,8	4,9

ambient temperature	[°C / °F]	43 / 109 (suction gas temperature [°C / °F]: 20 / 68, subcooling: 2K)	
evaporating temperature	[°C / °F]	-15 / 5	
cooling capacity	[W]	755	
COP	[W/W]	1,1	
cooling capacity	[Btu/h]	2579	
power consumption	[W]	686	
current consumption	[A]	4,3	