

Model

Designation **CU SC21MFX MG_Y 230/1/50 CAP**



Sales code: 314G4004
Engineering code: CUSC21MFX00CE

Application Data

Power supply	220-240V / 50Hz 1~
Refrigerants	R134a-R513A
Refr. charge - tech. limit	1300g / 45,9oz
Starter	HST / capillary tube or expansion valve
Sound pressure (10m)	35,8dB(A)

Configuration data

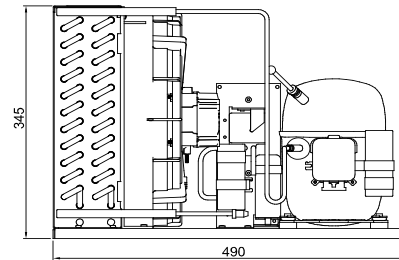
	Conf. 1	Conf. 2
Voltage range	187 - 254V / 50Hz	187 - 254V / 50Hz
Refrigerant	R134a	R513A
Application	MBP	MBP

Rated performance	<u>pe=-10°C, Tsuc=20°C, Tamb=25°C, subccoling: 2K</u>	
Cooling capacity	1099W / 3753Btu/h	1152W / 3933Btu/h
Power consumption	576,1W	614,3W
Current consumption	4,1A	4,3A
COP/EER	1,91 / 6,51Btu/Wh	1,87 / 6,4Btu/Wh

Approvals	Eco design (EU) 2015/1095, CE, UK CA, VDE	Eco design (EU) 2015/1095, CE, UK CA, VDE
-----------	--	--

Compressor

Designation	SC21MFX
Motor configuration	CSIR
Locked rotor amperage	23,4A
Rated load amperage	4,3A
Winding resistance main	3,4Ω
Winding resistance aux	14,4Ω
Oil quantity	600cm ³ / 20,3fl.oz
Oil type	POE
Horsepower rating	1/2 HP



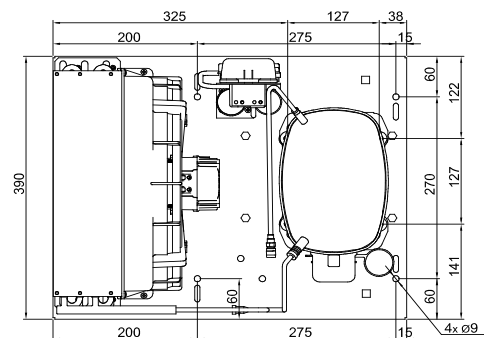
Dimensions

Condensing unit

Height x Width x Depth	345 x 390 x 490 [mm] / 13,6 x 15,4 x 19,3 [in]
Weight	22kg / 48,4lbs
Suction adapter	OD ø10mm / 2/5in
Discharge adapter	OD ø6mm / 1/4in
Process connector	ø6,2mm / 0,24in

Package data

Height x Width x Depth	400 x 500 x 600 [mm] / 15,7 x 19,7 x 23,6 [in]
Weight	26kg / 57,2lbs



Model

Designation **CU SC21MFX MG_Y 230/1/50 CAP**

Sales code: 314G4004
Engineering code: CUSC21MFX00CE

Components Condensing-Unit / Spare Parts

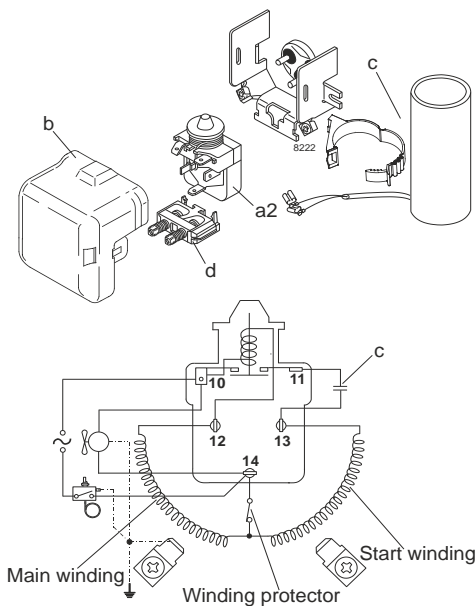
Component	Type	Spare part code number
Compressor code	SC21MFX	104G8120
Condenser	Condenser (4 rows x 13 tubes)	1340315F70
Fan motor		62010155
Blade code	ø300mm 19°	A300-19
Air flow	914,3m³/h	
Receiver code	not installed	-/-
Suction valve code	OD ø10mm / 2/5in	-/-
Liquid valve code	OD ø6mm / 1/4in	-/-

Compressor starting equipment	Spare part code number
pos. a2 - relay	117U6019
pos. c - start capacitor (80µF)	117U5017
pos. d - cord relief	103N1004
pos. b - plastic cover	103N2009

Wiring Sketch Compressor

Wiring Sketch Condensing Unit

CSIR



Model

Designation **CU SC21MFX MG_Y 230/1/50 CAP**

Sales code: 314G4004

Engineering code: CUSC21MFX00CE

Cooling performance - Conf. 1

Power supply	220-240V / 50Hz 1~	Voltage range	187 - 254V / 50Hz
Refr. charge - tech. limit	1300g / 45,9oz		
Starter	HST / capillary tube or expansion valve		
Motor configuration	CSIR		
Refrigerant	R134a		
Application	MBP		
Approvals	Eco design (EU) 2015/1095, CE, UK CA, VDE		

ambient temperature	[°C / °F]	25 / 77 (suction gas temperature [°C / °F]: 20 / 68, subcooling: 2K)						
evaporating temperature	[°C / °F]	-25 / -13	-20 / -4	-15 / 5	-10 / 14	0 / 32	5 / 41	10 / 50
cooling capacity	[W]	572	721	896	1099	1587	1873	2182
COP	[W/W]	1,38	1,54	1,72	1,91	2,27	2,44	2,59
cooling capacity	[Btu/h]	1954	2462	3060	3752	5421	6395	7453
power consumption	[W]	416	467	520	576	700	769	844
current consumption	[A]	3,2	3,5	3,8	4,1	4,6	4,8	5,1

ambient temperature	[°C / °F]	32 / 90 (suction gas temperature [°C / °F]: 20 / 68, subcooling: 2K)						
evaporating temperature	[°C / °F]	-25 / -13	-20 / -4	-15 / 5	-10 / 14	0 / 32	5 / 41	10 / 50
cooling capacity	[W]	521	660	823	1011	1464	1729	2017
COP	[W/W]	1,24	1,39	1,55	1,71	2,03	2,18	2,31
cooling capacity	[Btu/h]	1780	2253	2809	3452	5000	5904	6888
power consumption	[W]	420	474	531	590	722	794	872
current consumption	[A]	3,5	3,7	4	4,2	4,7	4,9	5,1

ambient temperature	[°C / °F]	38 / 100 (suction gas temperature [°C / °F]: 20 / 68, subcooling: 2K)						
evaporating temperature	[°C / °F]	-25 / -13	-20 / -4	-15 / 5	-10 / 14	0 / 32	5 / 41	10 / 50
cooling capacity	[W]	477	607	759	934	1357	1604	1873
COP	[W/W]	1,12	1,26	1,4	1,54	1,82	1,95	2,08
cooling capacity	[Btu/h]	1631	2074	2592	3191	4635	5478	6397
power consumption	[W]	425	483	543	606	744	821	902
current consumption	[A]	3,5	3,8	4,1	4,3	4,8	5	5,3

ambient temperature	[°C / °F]	43 / 109 (suction gas temperature [°C / °F]: 20 / 68, subcooling: 2K)						
evaporating temperature	[°C / °F]	-25 / -13	-20 / -4	-15 / 5	-10 / 14	0 / 32	5 / 41	10 / 50
cooling capacity	[W]	441	563	706	871	1267	1499	1752
COP	[W/W]	1,03	1,15	1,27	1,4	1,65	1,77	1,88
cooling capacity	[Btu/h]	1508	1924	2411	2973	4328	5121	5985
power consumption	[W]	430	491	555	622	766	846	931
current consumption	[A]	3,6	3,8	4,1	4,4	4,9	5,2	5,5

Model

Designation **CU SC21MFX MG_Y 230/1/50 CAP**

Sales code: 314G4004

Engineering code: CUSC21MFX00CE

Cooling performance - Conf. 2

Power supply	220-240V / 50Hz 1~	Voltage range	187 - 254V / 50Hz
Refr. charge - tech. limit	1300g / 45,9oz		
Starter	HST / capillary tube or expansion valve		
Motor configuration	CSIR		
Refrigerant	R513A		
Application	MBP		
Approvals	Eco design (EU) 2015/1095, CE, UK CA, VDE		

ambient temperature	[°C / °F]	25 / 77 (suction gas temperature [°C / °F]: 20 / 68, subcooling: 2K)						
evaporating temperature	[°C / °F]	-25 / -13	-20 / -4	-15 / 5	-10 / 14	0 / 32	5 / 41	10 / 50
cooling capacity	[W]	618	770	948	1152	1635	1912	2209
COP	[W/W]	1,36	1,52	1,7	1,88	2,22	2,36	2,48
cooling capacity	[Btu/h]	2109	2629	3237	3934	5585	6529	7543
power consumption	[W]	453	505	559	614	738	810	889
current consumption	[A]	3,7	3,9	4,1	4,3	4,8	5	5,3

ambient temperature	[°C / °F]	32 / 90 (suction gas temperature [°C / °F]: 20 / 68, subcooling: 2K)						
evaporating temperature	[°C / °F]	-25 / -13	-20 / -4	-15 / 5	-10 / 14	0 / 32	5 / 41	10 / 50
cooling capacity	[W]	560	701	865	1052	1496	1750	2022
COP	[W/W]	1,22	1,36	1,52	1,67	1,97	2,09	2,2
cooling capacity	[Btu/h]	1912	2393	2954	3594	5109	5978	6907
power consumption	[W]	458	514	570	629	761	837	921
current consumption	[A]	3,7	3,9	4,1	4,3	4,8	5,1	5,5

ambient temperature	[°C / °F]	38 / 100 (suction gas temperature [°C / °F]: 20 / 68, subcooling: 2K)						
evaporating temperature	[°C / °F]	-25 / -13	-20 / -4	-15 / 5	-10 / 14	0 / 32	5 / 41	10 / 50
cooling capacity	[W]	510	641	793	966	1375	1609	1860
COP	[W/W]	1,1	1,23	1,36	1,5	1,75	1,86	1,95
cooling capacity	[Btu/h]	1742	2189	2707	3298	4697	5493	6352
power consumption	[W]	464	523	583	646	786	866	955
current consumption	[A]	3,7	3,9	4,2	4,4	4,9	5,2	5,6

ambient temperature	[°C / °F]	43 / 109 (suction gas temperature [°C / °F]: 20 / 68, subcooling: 2K)						
evaporating temperature	[°C / °F]	-25 / -13	-20 / -4	-15 / 5	-10 / 14	0 / 32	5 / 41	10 / 50
cooling capacity	[W]	469	591	732	893	1273	1490	1724
COP	[W/W]	1	1,11	1,23	1,35	1,57	1,67	1,75
cooling capacity	[Btu/h]	1600	2018	2500	3050	4348	5090	5889
power consumption	[W]	469	532	596	663	810	894	987
current consumption	[A]	3,7	4	4,2	4,5	5	5,3	5,7