

WE HAVE MORE THAN 40 YEARS OF EXPERIENCE DEVELOPING DIRECT CURRENT COMPRESSORS AND HELPING CUSTOMERS BENEFIT FROM THE OPPORTUNITIES OF MOBILE REFRIGERATION TECHNOLOGY.

WITH IN-DEPTH KNOWLEDGE OF USE ACROSS VARIOUS APPLICATIONS, WE HAVE EARNED A POSITION AS MARKET LEADER, WORKING WITH OEM CUSTOMERS.

**SECOP**

## NEW DRIVING EXPERIENCE WITH IN-CAR CABINETS

**BD1.4F-AUTO.3**

BD MICRO AUTOMOTIVE

**R134a • R1234yf**



# μ-micro

**LESS IS MORE**

REDUCED WEIGHT AND SIZE COMPARED TO PREVIOUS SOLUTIONS

# PERFECT

**PERFORMANCE/DIMENSION RATIO**  
ULTRA COMPACT DC COMPRESSOR



## BD1.4F-AUTO.3 – SMALL BUT POWERFUL

Lose excess weight and use the extra space for what really matters. The new BD1.4F-AUTO.3 (new generation with optimized noise level and released for refrigerant R1234yf) from Secop is 60% smaller than previous models and weighs in at only 2.3 kilos. It is perfect for 10-15 liter in-car cabinets that need to fit into tight spaces without compromising storage space.

Specially designed for maximum efficiency and reliability, this tiny powerhouse of a compressor makes it easier than ever to provide leading class mobile fridges to the discerning automobile

manufacturers. The optimized, low-noise motor ensures outstanding performance when you want to provide that extra degree of luxury on the move.

Cool beverages on demand make driving so much more of an experience. Fridges using the BD Micro take up less space and allow small fridges to fit easily, with maximum storage space for snacks and beverages. Low energy consumption is good for car batteries – and the environment.

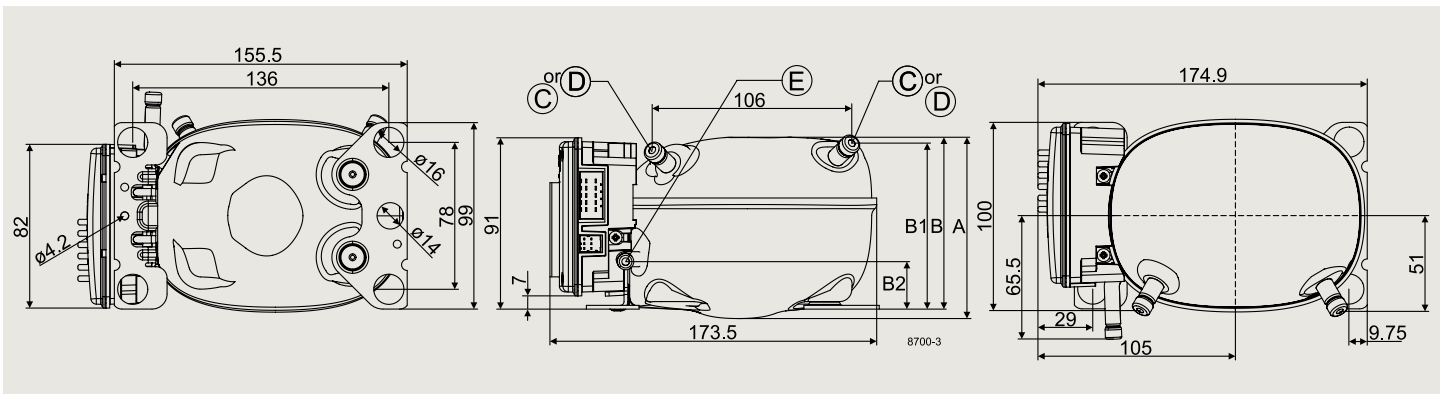
General (code numbers)	BD1.4F-AUTO.3
Compressor, without electronic unit (2.1 kg)	109Z0106
Electronic units (0.17 kg)	101N1000 or 101N1010

Application	
Application	LBP/MBP
Evaporating temperature °C	-25 to 5
Voltage (voltage range) V DC	12 [8.5 - 17]

Performance data EN 12900 Household/CECOMAF (12 V DC • 3,000 rpm • static cooling)											
Refrigerant		R134a	R1234yf	R134a	R1234yf	R134a	R1234yf	R134a	R1234yf	R134a	R1234yf
Evaporating temperature °C		-25	-25	-10	-10	-5	-5	0	0	5	5
Cooling capacity W		16.1	17.4	51.2	52.0	67.1	66.7	85.2	82.7	105.4	99.9
Power consumption W		24.1	26.5	40.0	41.1	45.2	45.9	50.4	50.6	56.0	55.2
Current consumption A		1.84	2.02	3.03	3.13	3.42	3.50	3.82	3.86	4.29	4.22
COP W/W		0.67	0.66	1.25	1.26	1.47	1.45	1.70	1.63	1.88	1.81

Performance data ASHRAE LBP (12 V DC • 3,000 rpm • static cooling)											
Refrigerant		R134a	R1234yf	R134a	R1234yf	R134a	R1234yf	R134a	R1234yf	R134a	R1234yf
Evaporating temperature °C		-23.3	-23.3	-10	-10	-6.7	-6.7	0	0	5	5
Cooling capacity W		23.9	26.8	63.7	67.5	76.4	80.0	106.0	107.7	131.3	130.4
Power consumption W		25.7	28.1	39.2	41.0	42.8	44.1	50.1	50.4	55.8	54.9
Current consumption A		1.96	2.53	2.98	3.83	3.25	4.16	3.82	4.81	4.27	5.29
COP W/W		0.93	1.02	1.62	1.69	1.79	1.84	2.12	2.13	2.35	2.32

Dimensions		
Height	mm A B B1 B2	96.25 91.25 88.00 25.20
Suction connector	location/l.D. mm   angle material   seal	C 6.2   25° Cu-plated steel   Al cap
Process connector	location/l.D. mm   angle material   seal	D 6.2   25° Cu-plated steel   Al cap
Discharge connector	location/l.D. mm   angle material   seal	E 5.0   0° Cu-plated steel   Al cap
Connector tolerance	l.D. mm	±0.09. on 5.0 +0.12/+0.20



Secop GmbH · Mads-Clausen-Str. 7 · 24939 Flensburg · Germany · Tel: +49 461 4941 0 · [www.secop.com](http://www.secop.com)

Secop accepts no responsibility for possible errors in catalogs, brochures, and other printed material. Secop reserves the right to alter its products without notice. This also applies to products already on order provided that such alterations can be made without subsequential changes being necessary to specifications already agreed. All trademarks in this material are the property of the respective companies. Secop and the Secop logotype are trademarks of Secop GmbH. All rights reserved.

Produced by Secop | January 2020

DES.N.100.D7.02