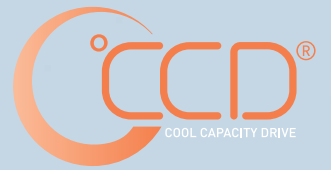


WEIGHT DOWN
MOBILITY UP

BD1.4F-FSD
BD MICRO FIXED SPEED DRIVE



Save 2^{KG}

LESS IS MORE
REDUCED WEIGHT AND SIZE COMPARED
TO PREVIOUS SOLUTIONS.



BD1.4F-FSD – PERFECT FOR PORTABLE COOLING BOXES

The BD1.4F-FSD from Nidec GA Compressors is 60% smaller than previous models and weighs in at only 2.3 kilos.

This fixed speed compressor is a cost-optimized variant of our BD Micro series which is perfect for portable cooling boxes.

Specially designed for maximum efficiency and reliability, this powerhouse of a compressor makes it easier than ever to provide leading class portable cooling boxes.

The optimized, low-noise motor ensures outstanding performance when you want to provide that extra degree of luxury on the move.

The electronic thermostat (NTC sensor support) provides an accurate temperature while the failure detection allows a fast fault diagnosis. The computer interface makes it easier for customization.

Cool beverages on demand make your journey so much more of an excellent experience.

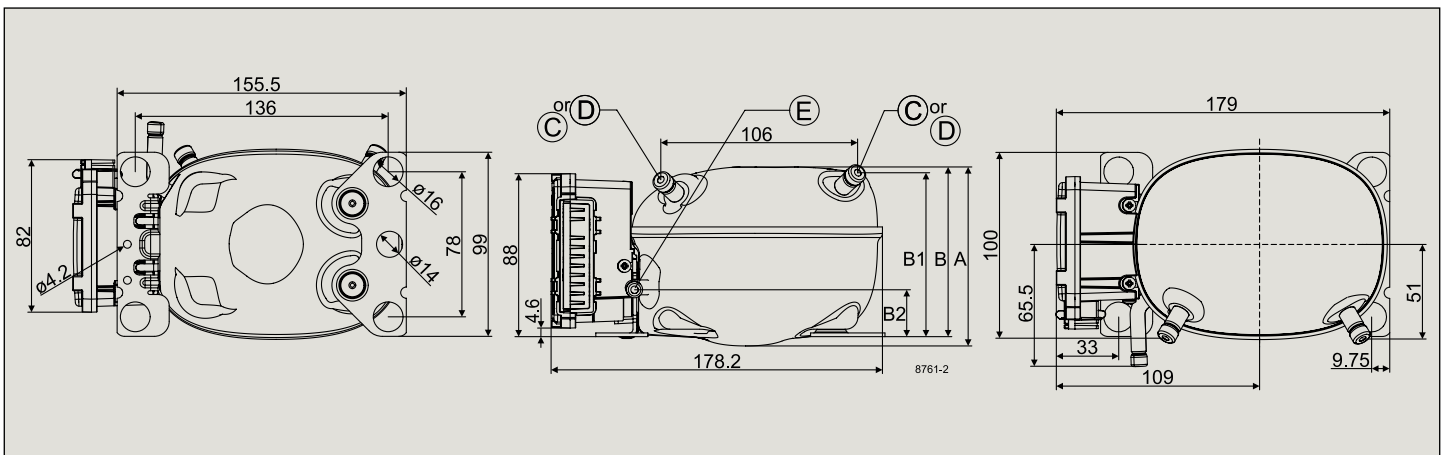
General (code numbers)	BD1.4F-FSD
Compressor, without electronic unit (2.1 kg)	109Z0305
Electronic unit DC (0.11 kg) AC/DC (0.29 kg)	101N2600 101N5200

Application		LBP/MBP
Application		LBP/MBP
Evaporating temperature °C		-30 to 0
Voltage/max. voltage V DC V AC		12 (9.6 - 17) / 24 (19 - 34) 100 - 240 / 50/60 Hz

Performance data EN 12900 Household/CECOMAF (12 V DC • 3,000 rpm • static cooling)					
Evaporating temperature °C		-25	-10	-5	0
Cooling capacity W		13.2	49.4	66.0	85.4
Power consumption W		22.6	39.6	44.4	48.7
Current consumption A		1.73	2.98	3.37	3.76
COP W/W		0.58	1.25	1.49	1.75

Performance data ASHRAE LBP (12 V DC • 3,000 rpm • static cooling)					
Evaporating temperature °F		-10	14	20	32
Cooling capacity BTU/h		70.7	210	256	362
Power consumption W		24.9	39.5	42.7	48.4
Current consumption A		1.89	2.97	3.24	3.75
COP BTU/h		2.84	5.31	5.99	7.48

Dimensions			
Height	mm	A	96.25
		B	91.25
		B1	88.00
		B2	25.20
Suction connector	location/I.D. mm angle	C	6.2 25°
	material seal		Cu-plated steel Al cap
Process connector	location/I.D. mm angle	D	6.2 25°
	material seal		Cu-plated steel Al cap
Discharge connector	location/I.D. mm angle	E	5.0 0°
	material seal		Cu-plated steel Al cap
Connector tolerance	I.D. mm		±0.09, on 5.0 +0.12/+0.20



Nidec Global Appliance Germany GmbH · Mads-Clausen-Str. 7 · 24939 Flensburg · Germany · Tel: +49 461 4941 0 · www.secop.com

Nidec GA Compressors accepts no responsibility for possible errors in catalogs, brochures, and other printed material. Nidec GA Compressors reserves the right to alter its products without notice. This also applies to products already on order provided that such alterations can be made without subsequent changes being necessary to specifications already agreed. All trademarks in this material are the property of the respective companies. Secop and the Secop logotype are trademarks of Nidec Global Appliance Germany GmbH. All rights reserved.

Produced by Nidec Global Appliance Germany GmbH | October 2017

DES.N.100.13.02