

A SMALLER COMPRESSOR
BUT A MAJOR INNOVATION

R600a
DELTA HTD COMPRESSORS

< 4kg
WEIGHT LESS THAN 4 KG



INCREASED CABINET NET VOLUME → UP TO 11 LITRES
REDUCED SHIPPING AND STORAGE COSTS → LESS THAN 50%
EASY MOUNTING → ASSEMBLY PROCESS REDUCED BY MORE THAN 60%



DELTA – A SMALLER COMPRESSOR BUT A MAJOR INNOVATION

The DELTA hermetic compressor series is essential to every domestic refrigerator. Its efficiency surpasses the the best current energy level, which leads to an A+++ categorization. Weighing under 4 kg, the DELTA compressor's advantageous design leads to optimal efficiency, low mechanical friction loss, and greater thermodynamic process control.

The ultra-compact size of the DELTA compressor reduces shipping and storage costs by more than 50%.

Furthermore, the DELTA compressor's all-in-one concept comes with accessories already preassembled and advanced interfaces, leading to significant improvement for reliability and noticeable reduction in complexity.

With the DELTA series, Nidec GA Compressors takes the lead in manufacturing hermetic refrigeration compressors. Its sleek design, coupled with innovative engineering, exemplifies a new system approach and a new standard for energy savings and cost efficiency.

DELTA features ...

- Top efficiency
- Weighing less than 4 kg
- Compact design - low height
- Innovative fixation system
- Preassembled start equipment

... your benefits

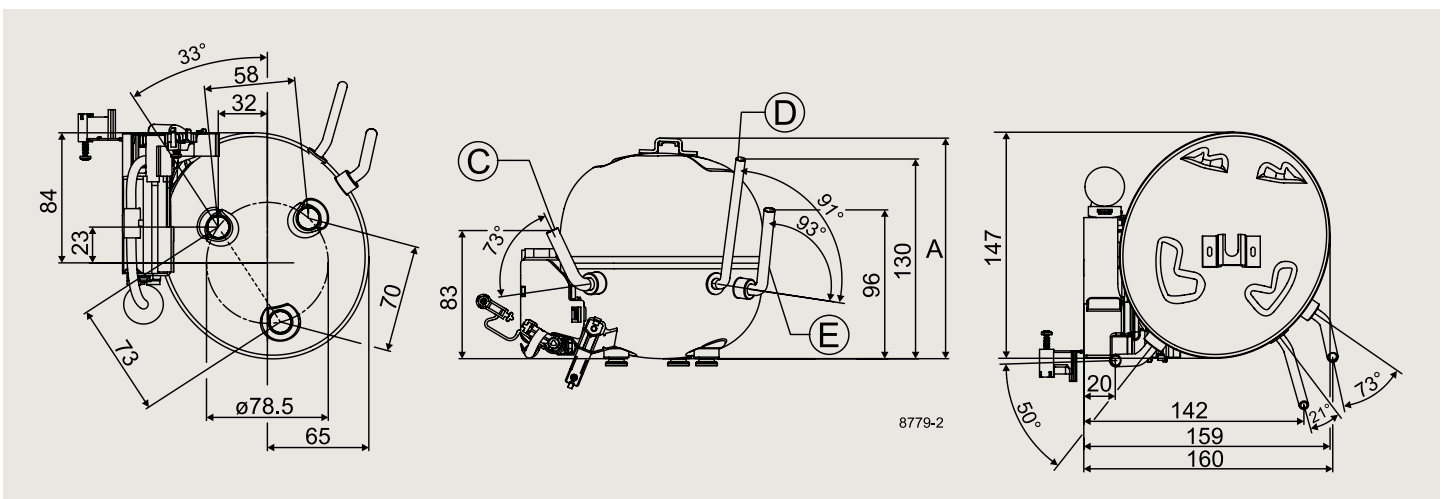
- Cabinets with A+++ categorization possible
- Reduced shipping and storage cost by less than 50%
- Increase cabinet net volume up to 11 liters
- Faster and easier assembly
- Reduction in complexity

General	HTD30AA	HTD35AA	HTD40AA	HTD45AA	HTD55AA	HTD60AA
Application	LBP					
Evaporating temperature	°C -35 to -5					
Voltage range/frequency	V/Hz 187 - 264/50					
Approvals	EN 60335-2-34 with Annex AA					

Performance data ASHRAE LBP (220 V/50 Hz • PTC • static cooling • w/o run capacitor with run capacitor)							
Evaporating temperature	°C	-23.3	-23.3	-23.3	-23.3	-23.3	-23.3
Cooling capacity	W	53	63	75	90	109	122
Power consumption	W	30.3 28.9	35.9 33.9	42.1 40.2	50.2 47.6	60.1 56.7	67.7 63.8
COP	W/W	1.75 1.84	1.76 1.86	1.78 1.86	1.80 1.89	1.81 1.92	1.80 1.91
<small>Condensing temperature: LBP: 45°C Suction gas temperature: LBP: 32.2°C Ambient temperature: LBP: 32.2°C Liquid temperature: LBP 32.2°C</small>							

Performance data CECOMAF LBP (220 V/50 Hz • PTC • static cooling • w/o run capacitor with run capacitor)							
Evaporating temperature	°C	-25	-25	-25	-25	-25	-25
Cooling capacity	W	43	51	61	74	90	101
Power consumption	W	28.8 27.5	34.3 32.5	40.5 38.6	47.9 45.5	57.8 54.7	64.9 61.4
COP	W/W	1.49 1.56	1.50 1.58	1.51 1.59	1.54 1.62	1.55 1.64	1.55 1.64
<small>Condensing temperature: LBP: 45°C Suction gas temperature: LBP: 32°C Ambient temperature: LBP: 32°C Liquid temperature: LBP 45°C</small>							

Dimensions			
Height	mm	A	133
Suction connector	location/I.D. mm angle	C	6.2 73°
	material seal		Copper Rubber plug
Process connector	location/O.D. mm angle	D	6.0 91°
	material seal		Copper Rubber plug
Discharge connector	location/I.D. mm angle	E	5.0 93°
	material seal		Cu-plated steel Rubber plug



Nidec Global Appliance Germany GmbH · Mads-Clausen-Str. 7 · 24939 Flensburg · Germany · Tel: +49 461 4941 0 · www.secop.com

Nidec GA Compressors accepts no responsibility for possible errors in catalogs, brochures, and other printed material. Nidec GA Compressors reserves the right to alter its products without notice. This also applies to products already on order provided that such alterations can be made without consequential changes being necessary to specifications already agreed. All trademarks in this material are the property of the respective companies. Secop and the Secop logotype are trademarks of Nidec Global Appliance Germany GmbH. All rights reserved.

Produced by Nidec Global Appliance Germany GmbH | October 2017

DES.N.520.13.02