

WITH MORE THAN 60 YEARS OF EXPERIENCE IN COMPRESSOR TECHNOLOGY AND HIGHLY DEDICATED EMPLOYEES, OUR FOCUS IS ON DEVELOPING AND

APPLYING ADVANCED COMPRESSOR TECHNOLOGIES TO ACHIEVE STANDARD SETTING PERFORMANCE FOR LEADING PRODUCTS AND BUSINESSES AROUND THE WORLD.

SECOP

A SMALLER COMPRESSOR BUT A MAJOR INNOVATION

R600a

DELTA HTD/HXD COMPRESSORS
3RD GENERATION

< 4kg

WEIGHT LESS THAN 4 KG



INCREASED CABINET NET VOLUME → UP TO 11 LITRES
REDUCED SHIPPING AND STORAGE COSTS → LESS THAN 50%
EASY MOUNTING → ASSEMBLY PROCESS REDUCED BY MORE THAN 60%



DELTA – A SMALLER COMPRESSOR BUT A MAJOR INNOVATION

The DELTA hermetic compressor series is essential to every domestic refrigerator. Its efficiency surpasses the the best current energy level, which leads to an A+++ categorization. Weighing under 4 kg, the DELTA compressor's advantageous design leads to optimal efficiency, low mechanical friction loss, and greater thermodynamic process control.

Furthermore, the DELTA compressor's all-in-one concept comes with accessories already preassembled and advanced interfaces, leading to significant improvement for reliability and noticeable reduction in complexity.

The ultra-compact size of the DELTA compressor reduces shipping and storage costs by more than 50%.

With the DELTA series, Secop takes the lead in manufacturing hermetic refrigeration compressors. Its sleek design, coupled with innovative engineering, exemplifies a new system approach and a new standard for energy savings and cost efficiency.

DELTA features ...

- Top efficiency
- Weighing less than 4 kg
- Compact design - low height
- Innovative fixation system
- Preassembled start equipment

... your benefits

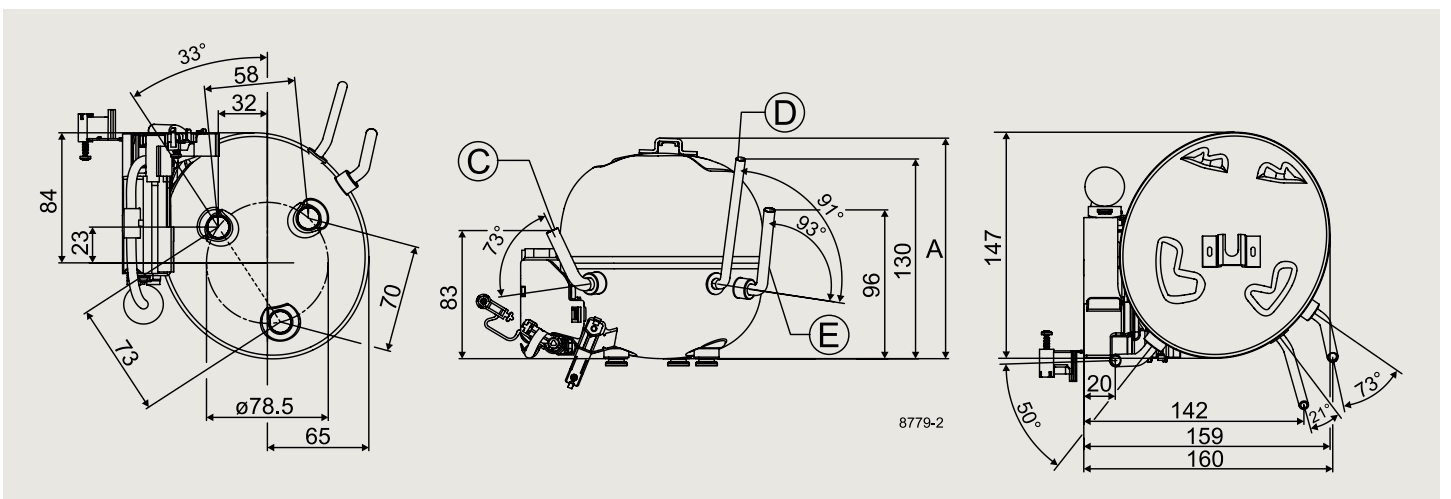
- Cabinets with A+++ categorization possible
- Reduced shipping and storage cost by less than 50%
- Increase cabinet net volume up to 11 liters
- Faster and easier assembly
- Reduction in complexity

General	HTD30AA	HTD35AA	HTD40AA	HTD45AA	HTD55AA	HTD60AA	HXD30AA	HXD35AA	HXD40AA	HXD45AA	HXD55AA	HXD60AA
Application	LBP											
Evaporating temperature °C	-35 to -5											
Voltage range/frequency V/Hz	187 - 264/50											
Approvals	EN 60335-2-34 with Annex AA											

Performance data ASHRAE LBP [220 V/50 Hz • PTC • HTD: without run capacitor • HXD: with run capacitor • static cooling]												
Evaporating temperature °C	-23.3	-23.3	-23.3	-23.3	-23.3	-23.3	-23.3	-23.3	-23.3	-23.3	-23.3	-23.3
Cooling capacity W	53.9	65.7	79.0	93.0	105.1	120.1	54.1	65.7	79.2	93.3	105.3	120.3
Power consumption W	28.6	34.9	41.6	49.0	56.3	64.5	27.5	32.6	39.4	46.6	53.9	61.1
COP	1.88	1.89	1.90	1.90	1.87	1.86	1.97	2.01	2.01	2.00	1.95	1.97
Condensing temperature: LBP: 45°C Suction gas temperature: LBP: 32.2°C Ambient temperature: LBP: 32.2°C Liquid temperature: LBP 32.2°C												

Performance data CECOMAF LBP [220 V/50 Hz • PTC • HTD: without run capacitor • HXD: with run capacitor • static cooling]												
Evaporating temperature °C	-25	-25	-25	-25	-25	-25	-25	-25	-25	-25	-25	-25
Cooling capacity W	44.2	53.9	64.8	76.3	87.0	99.5	44.3	53.9	65.0	76.5	87.2	99.7
Power consumption W	27.3	33.2	39.6	46.6	53.9	61.8	26.2	31.0	37.5	44.4	51.7	58.5
COP	1.62	1.62	1.64	1.64	1.61	1.61	1.69	1.74	1.73	1.72	1.69	1.71
Condensing temperature: LBP: 45°C Suction gas temperature: LBP: 32°C Ambient temperature: LBP: 32°C Liquid temperature: LBP 45°C												

Dimensions			
Height	mm	A	133
Suction connector	location/I.D. mm angle	C	6.2 73°
	material seal		Copper Rubber plug
Process connector	location/O.D. mm angle	D	6.0 91°
	material seal		Copper Rubber plug
Discharge connector	location/I.D. mm angle	E	5.0 93°
	material seal		Cu-plated steel Rubber plug



Secop GmbH · Mads-Clausen-Str. 7 · 24939 Flensburg · Germany · Tel: +49 461 4941 0 · www.secop.com

Secop accepts no responsibility for possible errors in catalogs, brochures, and other printed material. Secop reserves the right to alter its products without notice. This also applies to products already on order provided that such alterations can be made without subsequent changes being necessary to specifications already agreed. All trademarks in this material are the property of the respective companies. Secop and the Secop logotype are trademarks of Secop GmbH. All rights reserved.

Produced by Secop | November 2019

DES.N.520.14.02