

WITH MORE THAN 60 YEARS OF EXPERIENCE IN COMPRESSOR TECHNOLOGY AND HIGHLY DEDICATED EMPLOYEES, OUR FOCUS IS ON DEVELOPING AND

APPLYING ADVANCED COMPRESSOR TECHNOLOGIES TO ACHIEVE STANDARD SETTING PERFORMANCE FOR LEADING PRODUCTS AND BUSINESSES AROUND THE WORLD.

SECOP

A SMALLER COMPRESSOR BUT A MAJOR INNOVATION

R600a

DELTA HXD-MA COMPRESSORS

LBP | MBP

APPLICATION RANGE COVERED

THE IDEAL CHOICE FOR COUNTER TOP BOTTLE COOLERS OR PROMOTION BARREL COOLERS, ETC.



< 4kg

WEIGHT LESS THAN 4 KG

Increased cabinet net volume

→ Up to 11 litres

Reduced shipping and storage costs

→ Less than 50%

Easy mounting

→ Assembly process reduced by more than 60%



DELTA – A SMALLER COMPRESSOR BUT A MAJOR INNOVATION

The DELTA hermetic compressor series is essential to every domestic refrigerator. Its efficiency surpasses the the best current energy level, which leads to an A+++ categorization. Weighing under 4 kg, the DELTA compressor's advantageous design leads to optimal efficiency, low mechanical friction loss, and greater thermodynamic process control.

The ultra-compact size of the DELTA compressor reduces shipping and storage costs by more than 50%. Furthermore, the DELTA compressor's all-in-one concept comes with accessories already preassembled

and advanced interfaces, leading to significant improvement for reliability and noticeable reduction in complexity.

With the DELTA series, Secop takes the lead in manufacturing hermetic refrigeration compressors. Its sleek design, coupled with innovative engineering, exemplifies a new system approach and a new standard for energy savings and cost efficiency.

The new HXD-MA types cover the LBP/MBP application range and are the ideal choice for counter top bottle or promotion barrel coolers.

DELTA features ...

- Superior efficiency
- Weighing less than 4 kg
- Compact design - low height
- Innovative fixation system
- Preassembled start equipment

... your benefits

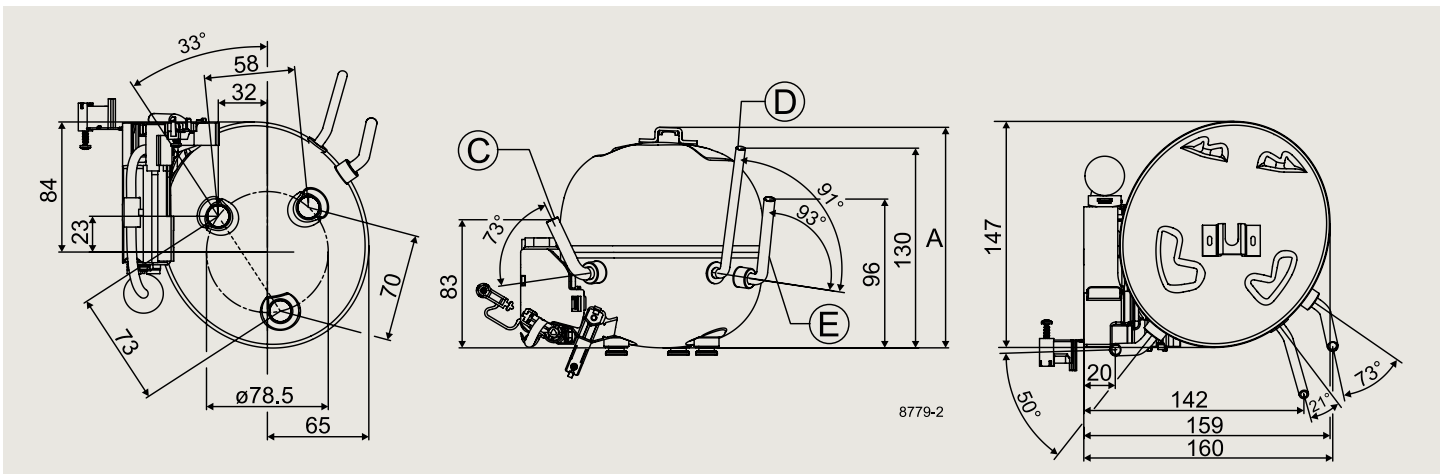
- Cabinets with A+++ categorization possible
- Reduced shipping and storage cost by less than 50%
- Increase cabinet net volume up to 11 liters
- Faster and easier assembly
- Reduction in complexity

General	HXD30MA	HXD35MA	HXD40MA	HXD45MA	HXD55MA
Application	LBP/MBP				
Evaporating temperature	-35 to 10 °C				
Voltage range/frequency	187 - 254/50 V/Hz				
Approvals	EN 60335-2-34 with Annex AA				

Performance data ASHRAE LBP* ASHRAE MBP** (220V/50Hz • run capacitor • ePTC • static cooling)											
Evaporating temperature	°C	-23.3*	-6.7**	-23.3*	-6.7**	-23.3*	-6.7**	-23.3*	-6.7**	-23.3*	-6.7**
Cooling capacity	W	47	99	55	118	69	138	82	164	97	192
Power consumption	W	31	43	35	50	42	59	51	71	62	87
COP	W/W	1.52	2.32	1.56	2.37	1.64	2.33	1.62	2.30	1.55	2.20
Test conditions	Condensing temperature: LBP: 54.4°C, MBP: 54.4°C Suction gas temperature: LBP: 32.2°C, MBP: 35°C Ambient temperature: LBP: 32.2°C, MBP: 35°C Liquid temperature: LBP 32.2°C, MBP: 46.1°C										

Performance data EN 12900 MBP (220V/50Hz • run capacitor • ePTC • static cooling)					
Evaporating temperature	°C	-10		-10	
Cooling capacity	W	89		105	
Power consumption	W	40		47	
COP	W/W	2.22		2.25	
Test conditions	Condensing temperature: 45°C Suction gas temperature: 20°C Ambient temperature: 32°C Liquid temperature: 45°C				

Dimensions		
Height	mm	A 133
Suction connector	location/l.D. mm angle material seal	C 6.2 73° Copper Rubber plug
Process connector	location/O.D. mm angle material seal	D 6.0 91° Copper Rubber plug
Discharge connector	location/l.D. mm angle material seal	E 5.0 93° Cu-plated steel Rubber plug



Secop GmbH · Mads-Clausen-Str. 7 · 24939 Flensburg · Germany · Tel: +49 461 4941 0 · www.secop.com

Secop can accept no responsibility for possible errors in catalogues, brochures and other printed material. Secop reserves the right to alter its products without notice. This also applies to products already on order provided that such alterations can be made without subsequential changes being necessary in specifications already agreed. All trademarks in this material are property of the respective companies. Secop and the Secop logotype are trademarks of Secop GmbH. All rights reserved

Produced Secop | October 2017

DES.N.520.J2.02