

WITH MORE THAN 60 YEARS OF EXPERIENCE IN COMPRESSOR TECHNOLOGY AND HIGHLY DEDICATED EMPLOYEES, OUR FOCUS IS ON DEVELOPING AND

APPLYING ADVANCED COMPRESSOR TECHNOLOGIES TO ACHIEVE STANDARD SETTING PERFORMANCE FOR LEADING PRODUCTS AND BUSINESSES AROUND THE WORLD.

**SECOP**

TURN DOWN THE NOISE  
BOOST EFFICIENCY

**R600a**

DLX-KX.1 COMPRESSORS

**50%**

**MORE SILENT**  
THAN COMPARABLE COMPRESSORS  
AS A RESULT OF A NEW PLATFORM  
THAT COMBINES LOW NOISE AND  
HIGH EFFICIENCY

**20%**

**HIGHER COP**  
EXCEPTIONAL IN THE LOW  
CAPACITY RANGE





# MORE SILENT THAN EVER: DLX-KK.1 COMPRESSORS

Based on a brand new platform, the DLX-KK.1 series of household compressors is a significant upgrade to a range that covers the entire field of household appliances.

Being 50% more silent than comparable compressors, the DLX-KK.1 series offers a substantial advantage in applications that rely on low noise operation.

At the same time, a 20% boost in COP compared to previous models provides significant energy savings in end user applications.

The level of performance is exceptional in the lower cooling capacity ranges – starting from 62/46 W (ASHRAE/CECOMAF).

The cooling capacity range of the DLX-KK.1 platform reaches up to 168/126 W (ASHRAE/CECOMAF).

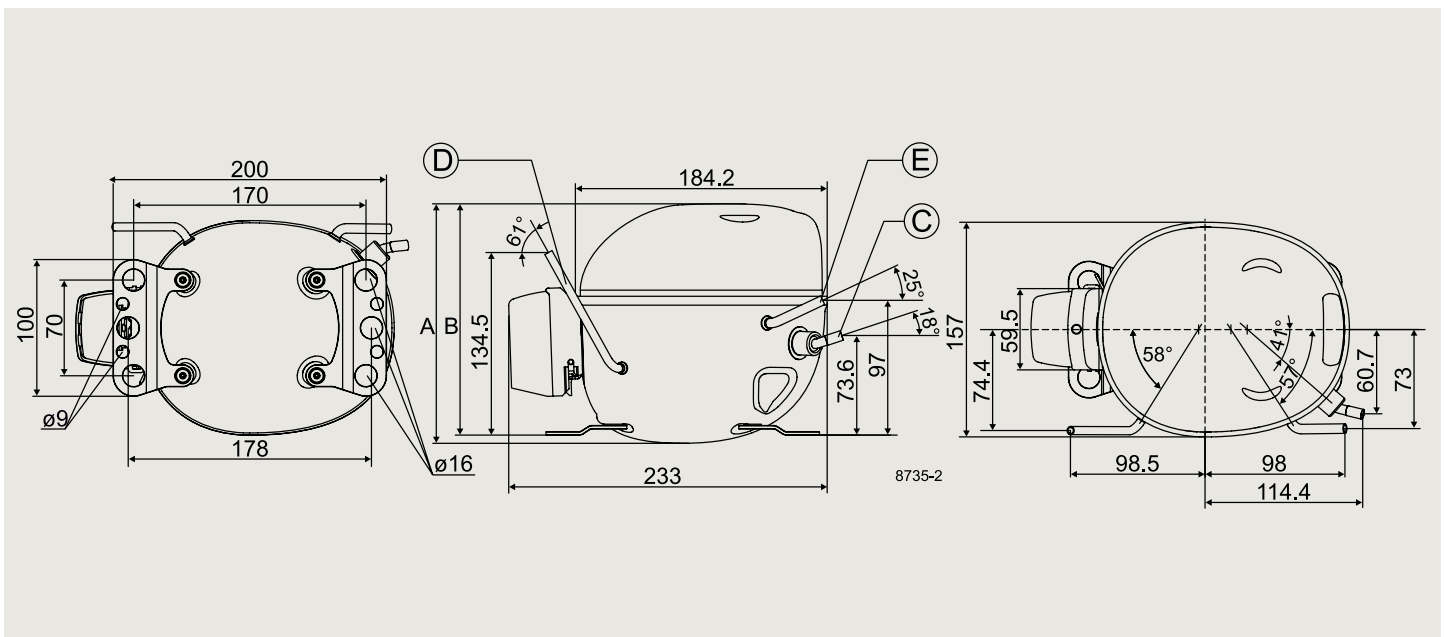
General	DLX4KK.1	DLX5.7KK.1	DLX9.4KK.1
Code number	102H3459	102H3659	102H4159
Approvals	EN 60335-2-34 with Annex AA		

Application				
Application	LBP			
Evaporating temperature	°C	-35 to -5	-35 to -5	-35 to -10
Voltage range/frequency	V/Hz	198 - 254/50		

Performance data ASHRAE LBP (220 V/50 Hz • run capacitor • ePTC • static cooling)				
Evaporating temperature	°C	-23.3	-23.3	-23.3
Cooling capacity	W	62.4	100	168
Power consumption	W	33.5	53.2	90.3
COP	W/W	1.86	1.89	1.86

Performance data EN 12900 Household/CECOMAF (220 V/50 Hz • run capacitor • ePTC • static cooling)				
Evaporating temperature	°C	-25	-25	-25
Cooling capacity	W	46.0	75.0	126
Power consumption	W	32.0	51.0	85.7
COP	W/W	1.44	1.47	1.47

Dimensions			
Height	mm	A	175
		B	169
Suction connector	location/I.D. mm   angle material   seal	C	6.2   18° Cu-plated steel   Rubber plug
Process connector	location/I.D. mm   angle material   seal	D	4.5   60° Copper   Rubber plug
Discharge connector	location/I.D. mm   angle material   seal	E	5.0   25° Copper   Rubber plug
Connector tolerance	I.D. mm		±0.09, on 5.0 +0.12/+0.22, on 4.5 +0.10/-0.20



Secop GmbH · Mads-Clausen-Str. 7 · 24939 Flensburg · Germany · Tel: +49 461 4941 0 · [www.secop.com](http://www.secop.com)

Secop accepts no responsibility for possible errors in catalogs, brochures, and other printed material. Secop reserves the right to alter its products without notice. This also applies to products already on order provided that such alterations can be made without subsequent changes being necessary to specifications already agreed. All trademarks in this material are the property of the respective companies. Secop and the Secop logotype are trademarks of Secop GmbH. All rights reserved.

Produced by Secop | October 2017

DES.N.520.A5.02