

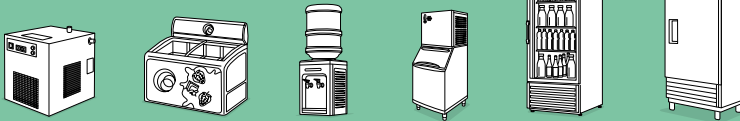
ROBUST AND RELIABLE EVEN UNDER HARSH CONDITIONS

SECOP



FRK-G

 Commercial Applications



Master Voltage Fluctuations



Broad Application Range (L/M/HBP)



High Overload Robustness



Reduced Noise and Vibration



Excellent Efficiency

- **Heavy Duty Robustness**
FRK-G compressors feature the tried and trusted quality of our FR compressors optimized for light commercial applications and for service and aftermarket use thanks to their insensitivity against oil traps
- **Robust Solution for Food Retail and Food Service Applications**
Dedicated reliable design for bottle coolers, glass door merchandisers, and ice cream freezers and suitable for food service applications (LBP, MBP, and HBP applications)
- **Excellent Efficiency**
High COP and top efficiency for light commercial applications
- **Optimized Muffler System**
The new muffler feature minimizes the risk of compressor or system damage due to extreme liquid return conditions or oil foaming
- **Easier Application Assembly**
New terminal board design for additional interconnections
- **Reduced Noise Level**
Improved noise and reduced vibration

Secop's new **FRK-G** compressors are the successors of our legendary FR compressors (F-Series). These were one of the most robust compressors on the market, known for their reliability even under harsh conditions. The designation of the FRK compressors has been adapted to the F-Series to ensure comparability.

Secop has developed the robust new F-Series for commercial refrigeration, which integrates various technical innovations, such as a noise-reducing shell, robust suspension, a robust internal discharge tube, improved valves, optimized motors, and a new muffler for lower noise levels.

FRK-G compressors were developed to offer a reliable, top-performing, and cost-effective solution for the next generation of light commercial cabinets offering high energy efficiency.

FRK-G compressors are dual frequency (50/60 Hz) types and are designed to support regions that experience harsh and challenging environments and where voltage fluctuations as well as high ambient temperatures need to be taken into account.

FRK-G compressors have a muffler system specially developed for heavy duty applications with rapid load changes, extreme liquid return conditions, and oil foaming. It increases the robustness and reliability of the cooling system against this type of overload.

General	FRK5G	FRK6G	FRK7.5G	FRK8.5G	FRK10G	FRK11G
Compressor	106G5453	106G5553	106G5653	106G5753	106G5853	106G5953
Approvals (pending)	EN60335-1, EN 60335-2-34 with Annex AA, IEC/EN 60079-1, IEC/EN 60079-15					

Application	R134a					
Application	LBP/MBP/HBP	LBP/MBP/HBP	LBP/MBP/HBP	LBP/MBP/HBP	LBP/MBP/HBP	LBP/MBP/HBP
Evaporating temperature	°C	-35 to 15	-35 to 15	-35 to 15	-35 to 15	-35 to 15
Voltage range / frequency	V/Hz	187-254/50 198-253/60	187-254/50 198-253/60	187-254/50 198-253/60	187-254/50 198-253/60	187-254/50 198-253/60

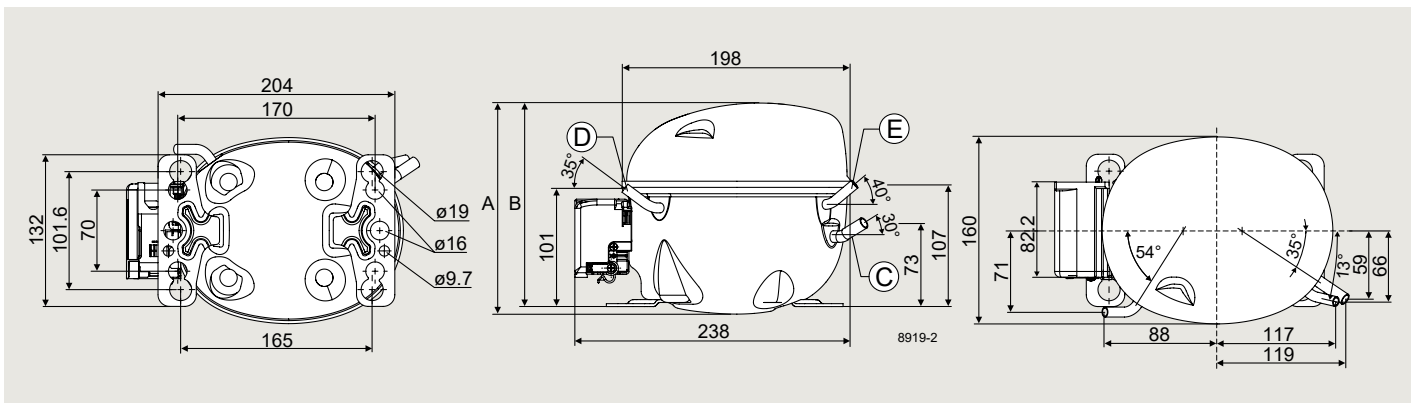
Performance Data ASHRAE LBP (220 V, 50 60 Hz • fan cooling)						
Evaporating temp.	°C	-23.3	-23.3	-23.3	-23.3	-23.3
Cooling capacity	W	101 122	129 153	155 191	187 227	220 263
	BTU/h	344 417	439 523	530 653	640 776	750 900
Power consumption	W	89 102	103 119	119 140	147 167	167 191.48
COP	W/W	1.12 1.18	1.24 1.28	1.30 1.35	1.27 1.35	1.30 1.36
EER	BTU/Wh	3.83 4.03	4.23 4.36	4.42 4.60	4.32 4.60	4.45 4.65
Test conditions	Condensing temperature: 54.4°C Suction gas temperature: 32.2°C Ambient temperature: 32.2°C Liquid temperature: 32.2°C					

Performance Data ASHRAE MBP (220 V, 50 60 Hz • fan cooling)						
Evaporating temp.	°C	-6.7	-6.7	-6.7	-6.7	-6.7
Cooling capacity	W	219 258	277 327	332 392	397 469	448 535
	BTU/h	748 883	945 1116	1132 1339	1355 1602	1529 1827
Power consumption	W	125 144	149 172	175 203	217 248	249 292
COP	W/W	1.73 1.78	1.84 1.88	1.88 1.91	1.81 1.87	1.78 1.82
EER	BTU/Wh	5.91 6.07	6.29 6.42	6.42 6.52	6.19 6.39	6.07 6.20
Test conditions	Condensing temperature: 54.4°C Suction gas temperature: 35°C Ambient temperature: 32.2°C Liquid temperature: 46.1°C					

Performance Data ASHRAE HBP (220 V, 50 60 Hz • fan cooling)						
Evaporating temp.	°C	7.2	7.2	7.2	7.2	7.2
Cooling capacity	W	394 460	497 581	595 696	709 830	783 936
	BTU/h	1346 1572	1697 1985	2033 2375	2422 2836	2676 3197
Power consumption	W	154 180	185 217	220 258	277 319	328 384
COP	W/W	2.53 2.53	2.66 2.65	2.68 2.67	2.53 2.57	2.36 2.41
EER	BTU/Wh	8.64 8.65	9.08 9.06	9.16 9.13	8.65 8.79	8.07 8.24
Test conditions	Condensing temperature: 54.4°C Suction gas temperature: 35°C Ambient temperature: 32.2°C Liquid temperature: 46.1°C					

Dimensions						
Height	mm	A	182			
		B	175			
Suction connector location	I.D. mm angle material seal	C	8.2 30° Copper Rubber plug			
		D	6.2 35° Copper Rubberplug			
Discharge connector location	I.D. mm angle material seal	E	6.2 40° Copper Rubber plug			
Connector tolerance	I.D. mm	±0.09				

Variants with small baseplates available on request, please contact Secop for further information.



Secop GmbH · Lise-Meitner-Str. 29 · 24941 Flensburg, Germany · Tel: +49 461 4941 0 · www.secop.com

Secop accepts no responsibility for possible errors in catalogs, brochures, and other printed material. Secop reserves the right to alter its products without notice. This also applies to products already on order provided that such alterations can be made without subsequent changes being necessary to specifications already agreed. All trademarks in this material are the property of the respective companies. Secop and the Secop logotype are trademarks of Secop GmbH. All rights reserved.