

R600a, 200-240 V 50/60 Hz

# SUPERIOR PERFORMANCE UNDER TOUGH CONDITIONS

**SECCP**



**K-Series Tropical**



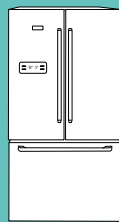
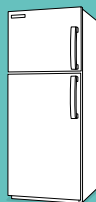
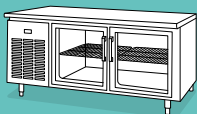
**R600a**  
NATURAL REFRIGERANT

WIDE OPERATING  
VOLTAGE RANGE

**170 to  
264 V**



RESIDENTIAL  
APPLICATIONS



- Dual frequency 50/60 Hz
- Masters voltage fluctuations
- Starts under low voltage conditions without reverse rotation and without stalling
- The superior compressor efficiency supports the upgrade of the appliance energy class.
- Less noise, less vibrations and high reliability
- Assembly on the production lines in far less time with easily accessible start equipment
- Worldwide approved by large OEMs because of competitive cost structure

The **K-Series** (formerly KAPPA) is one of Secop's core product families in the residential market, with more than 50 million units produced.

Recognized for outstanding energy efficiency levels, low noise, strong reliability and a competitive cost structure, the K-Series ensures a unique combination of short-term savings, fast-moving production and long term sustainability.

The K-Series for tropical conditions is designed to support regions which experience harsh and challenging environments and where voltage fluctuations as well as high ambient temperatures need to be taken into account.

The ability to start under low voltage conditions without reverse rotation and without stalling presents an outstanding solution for those harsh environments.

GENERAL	HXK70AT	HXK80AT	HXK87AT	HXK95AT	HXK12AT	HXK13AT
Compressor	CD000124	CD000135	CD000136	CD000137	CD000219	CD0000222*
Approvals	EN 60335-2-34 with Annex AA					

\*available within 4<sup>th</sup> quarter 2021

APPLICATION	R600a					
Application	LBP					
Evaporating temperature	°C	-35 to -10				
Voltage range / frequency	V/Hz	170 - 264/50	170 - 264/50	170 - 264/50	170 - 264/50	170 - 264/50
			198 - 253/60	198 - 253/60	198 - 253/60	198 - 253/60

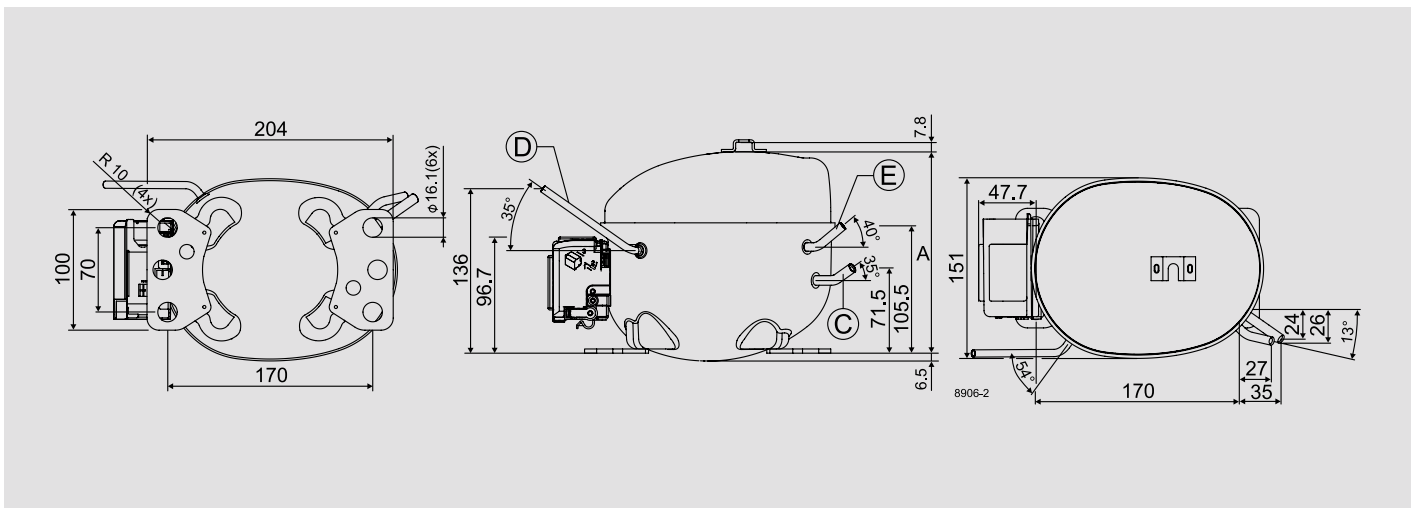
PERFORMANCE DATA ASHRAE LBP (200 V, 50 Hz • PTC • static cooling)							
Evaporating temperature	°C	-23.3	-23.3	-23.3	-23.3	-23.3	-23.3
Cooling capacity	W	119	140	154	174	198	225
Power consumption	W	72.3	83.8	92.2	104	119	141
COP	W/W	1.64	1.67	1.67	1.67	1.67	1.60
Test conditions	Condensing temperature: 54.4 °C   Suction gas temperature: 32.2 °C   Ambient temperature: 32.2 °C   Liquid temperature: 32.2 °C						

PERFORMANCE DATA ASHRAE LBP (200 V, 50 Hz • run capacitor • PTC • static cooling)							
Evaporating temperature	°C	-23.3	-23.3	-23.3	-23.3	-23.3	-23.3
Cooling capacity	W	119	140	154	174	200	225
Power consumption	W	68.9	79.9	88.0	99.2	116	137
COP	W/W	1.72	1.75	1.75	1.75	1.73	1.65
Test conditions	Condensing temperature: 54.4 °C   Suction gas temperature: 32.2 °C   Ambient temperature: 32.2 °C   Liquid temperature: 32.2 °C						

PERFORMANCE DATA ASHRAE LBP (220 V, 60 Hz • run capacitor • PTC • static cooling)							
Evaporating temperature	°C	-23.3	-23.3	-23.3	-23.3	-23.3	-23.3
Cooling capacity	W	-	168	184	201	236	260
Power consumption	W	-	94.8	104	113	135	156
COP	W/W	-	1.77	1.77	1.77	1.75	1.67
Test conditions	Condensing temperature: 54.4 °C   Suction gas temperature: 32.2 °C   Ambient temperature: 32.2 °C   Liquid temperature: 32.2 °C						

DIMENSIONS			
Height	mm	A	167
Suction connector	location/I.D. mm   angle material   seal	C	6.15   35° Copper plated steel   Rubber plug
Process connector	location/O.D. mm   angle material   seal	D	6.00   35° Copper   Rubber plug
Discharge connector	location/I.D. mm   angle material   seal	E	5.15   40° Copper plated steel   Rubber plug

Various connector configurations available, please contact Secop or further information.



Secop GmbH · Mads-Clausen-Str. 7 · 24939 Flensburg · Germany · Tel: +49 461 4941 0 · [www.secop.com](http://www.secop.com)

Secop accepts no responsibility for possible errors in catalogs, brochures, and other printed material. Secop reserves the right to alter its products without notice. This also applies to products already on order provided that such alterations can be made without consequential changes being necessary to specifications already agreed. All trademarks in this material are the property of the respective companies. Secop and the Secop logotype are trademarks of Secop GmbH. All rights reserved.