

TOP PERFORMANCE UNDER  
TOUGH WORKING CONDITIONS

**R134a**  
KAPPA SUPER TROPICAL COMPRESSORS

**170-264 V**

**WIDE OPERATING VOLTAGE RANGE**  
MASTERS VOLTAGE FLUCTUATIONS AND  
STARTS UNDER LOW VOLTAGE CONDITIONS  
WITHOUT REVERSE ROTATION AND  
WITHOUT STALLING



1805 **GTK80AT** **SECOP**  
MADE IN AUSTRIA  
200-240V ~ 50Hz  
**R134a** **B** **SUCTION** ▶  
9 052 1234567 0  
CE  
DYE



# KAPPA SUPER TROPICAL COMPRESSORS – LEADING THE INDUSTRY

The KAPPA series is one of Nidec GA Compressors' core product families in the household market market, with more than 40 million compressors produced in Austria.

Specifically tailored for household appliance needs, the different KAPPA compressors continue to set new and improved standards within the industry.

Recognized for outstanding energy efficiency levels, low noise, strong reliability and a competitive cost structure, KAPPA ensures a unique combination of

short-term savings, fast-moving production and long term sustainability.

The new KAPPA range for tropical conditions is designed to support regions which experience harsh and challenging environments and where voltage fluctuations as well as high ambient temperatures need to be taken into account.

The ability to start under low voltage conditions without reverse rotation and without stalling presents an outstanding solution for those harsh environments.

### KAPPA features ...

- Top efficiency
- Less noise and less vibrations
- Competitive cost structure
- Easily accessible start equipment
- External protector
- Interim solution to R600a refrigerant

### ... your benefits

- Highly efficient cabinets possible
- High reliability – Setting new standards for 15 years
- Worldwide approved by large OEMs (5 KAPPA generations)
- Assembly on the production lines in far less time
- Fast restart in high ambient temperature environment
- Simple application update with KAPPA R600a compressors

| General                 | GTK55AT                     | GTK70AT      | GTK80AT |
|-------------------------|-----------------------------|--------------|---------|
| Application             |                             | LBP          |         |
| Evaporating temperature | °C                          | -35 to -10   |         |
| Voltage range/frequency | V/Hz                        | 170 - 264/50 |         |
| Approvals               | EN 60335-2-34 with Annex AA |              |         |

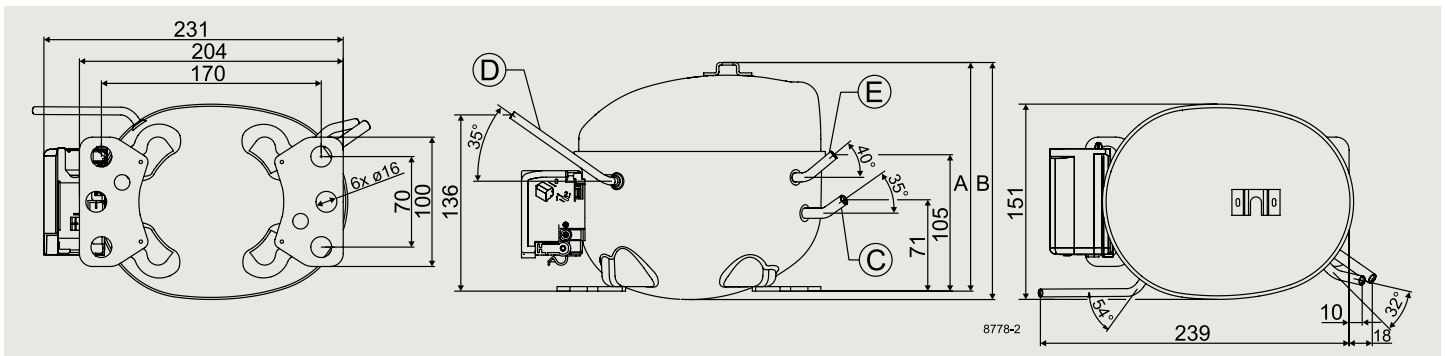
| Performance data ASHRAE LBP (200-240 V/50 Hz • PTC • static cooling) |     |       |       |
|----------------------------------------------------------------------|-----|-------|-------|
| Evaporating temperature                                              | °C  | -23.3 | -23.3 |
| Cooling capacity                                                     | W   | 170   | 205   |
| Power consumption                                                    | W   | 114.9 | 134.9 |
| COP                                                                  | W/W | 1.48  | 1.52  |

| Performance data ASHRAE LBP (200-240 V/50 Hz • run capacitor • PTC • static cooling) |     |       |       |
|--------------------------------------------------------------------------------------|-----|-------|-------|
| Evaporating temperature                                                              | °C  | -23.3 | -23.3 |
| Cooling capacity                                                                     | W   | 170   | 205   |
| Power consumption                                                                    | W   | 109.7 | 128.1 |
| COP                                                                                  | W/W | 1.55  | 1.60  |

| Performance data EN12900 Household (200-240 V/50 Hz • run capacitor • PTC • static cooling) |     |       |       |
|---------------------------------------------------------------------------------------------|-----|-------|-------|
| Evaporating temperature                                                                     | °C  | -25   | -25   |
| Cooling capacity                                                                            | W   | 128   | 154   |
| Power consumption                                                                           | W   | 105.8 | 123.2 |
| COP                                                                                         | W/W | 1.21  | 1.25  |

| Dimensions          |                                          |   |                                    |
|---------------------|------------------------------------------|---|------------------------------------|
| Height              | mm                                       | A | 167.0                              |
|                     |                                          | B | 173.5                              |
| Suction connector   | location/I.D. mm   angle material   seal | C | 6.15   35°<br>Copper   Rubber plug |
|                     |                                          | D | 6.00   35°<br>Copper   Rubber plug |
| Process connector   | location/O.D. mm   angle material   seal | E | 5.15   40°<br>Copper   Rubber plug |
|                     |                                          |   |                                    |
| Discharge connector | location/I.D. mm   angle material   seal |   |                                    |

Optimized for low voltage conditions @ 200 V



Nidec Global Appliance Germany GmbH · Mads-Clausen-Str. 7 · 24939 Flensburg · Germany · Tel: +49 461 4941 0 · [www.secop.com](http://www.secop.com)

Nidec GA Compressors accepts no responsibility for possible errors in catalogs, brochures, and other printed material. Nidec GA Compressors reserves the right to alter its products without notice. This also applies to products already on order provided that such alterations can be made without consequential changes being necessary to specifications already agreed. All trademarks in this material are the property of the respective companies. Secop and the Secop logotype are trademarks of Nidec Global Appliance Germany GmbH. All rights reserved.

Produced by Nidec Global Appliance Germany GmbH | April 2018

DES.N.420.A1.02