

SUPERIOR PERFORMANCE UNDER
TOUGH WORKING CONDITIONS

R600a
KAPPA TROPICAL COMPRESSORS

50/60 Hz
DUAL FREQUENCY

170-264 V

WIDE OPERATING VOLTAGE RANGE
MASTERS VOLTAGE FLUCTUATIONS AND
STARTS UNDER LOW VOLTAGE CONDITIONS
WITHOUT REVERSE ROTATION AND
WITHOUT STALLING

1403 **HXK95AT** **SECOP**
MADE IN AUSTRIA
200-240 V ~ 50 Hz
208-230 V ~ 60 Hz
SUCTION ▶
9 108 0017336 4





KAPPA TROPICAL COMPRESSORS – LEADING THE INDUSTRY

The KAPPA series is one of Nidec GA Compressors' core product families in the household market, with more than 40 million compressors produced in Austria. Specifically tailored for household appliance needs, the different KAPPA compressors continue to set new and improved standards within the industry.

Recognized for outstanding energy efficiency levels, low noise, strong reliability and a competitive cost structure, KAPPA ensures a unique combination of short-term savings, fast-moving production and long term sustainability.

KAPPA features ...

- Superior efficiency
- Less noise and less vibrations
- Competitive cost structure
- Easily accessible start equipment

The KAPPA series is one of the world's most successful compressor platforms in more than 15 years and it is still going strong.

The new KAPPA range for tropical conditions is designed to support regions which experience harsh and challenging environments and where voltage fluctuations as well as high ambient temperatures need to be taken into account.

The ability to start under low voltage conditions without reverse rotation and without stalling presents an outstanding solution for those harsh environments.

... your benefits

- Cabinets with A+++ categorization possible
- High reliability – Setting new standards for 15 years
- Worldwide approved by large OEMs (5 KAPPA generations)
- Assembly on the production lines in far less time

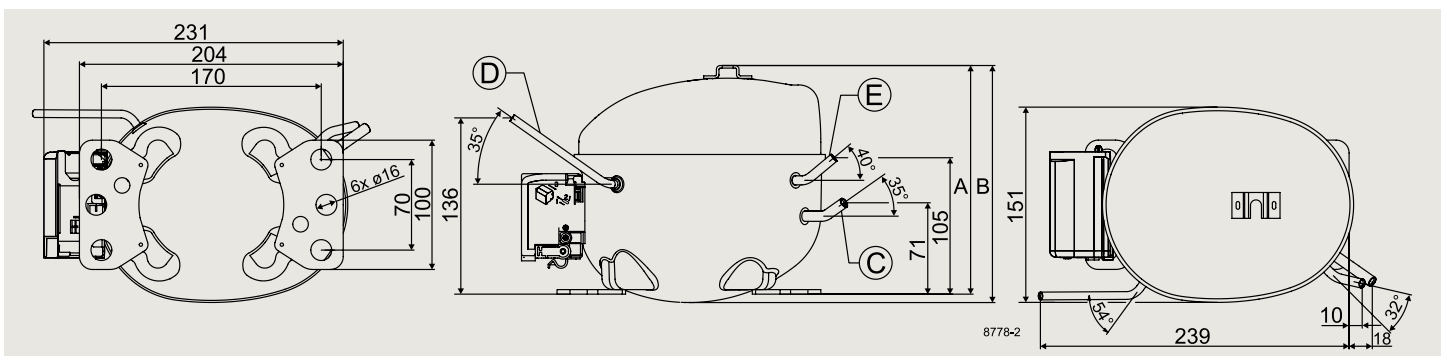
General	HXK70AT	HXK80AT	HXK87AT	HXK95AT	HXK12AT
Application	LBP				
Evaporating temperature	-35 to -10 °C				
Voltage range/frequency	170 - 264/50	170 - 264/50	170 - 264/50	170 - 264/50	170 - 264/50
Approvals	EN 60335-2-34 with Annex AA				

Performance data ASHRAE LBP (200 V/50 Hz • PTC • static cooling)						
Evaporating temperature	°C	-23.3	-23.3	-23.3	-23.3	-23.3
Cooling capacity	W	119	140	154	174	198
Power consumption	W	72.3	83.8	92.2	104	115
COP	W/W	1.64	1.67	1.67	1.67	1.72

Performance data ASHRAE LBP (200 V/50 Hz • run capacitor • PTC • static cooling)						
Evaporating temperature	°C	-23.3	-23.3	-23.3	-23.3	-23.3
Cooling capacity	W	119	140	154	174	200
Power consumption	W	68.9	79.9	88.0	99.2	112
COP	W/W	1.72	1.75	1.75	1.75	1.79

Performance data ASHRAE LBP (220 V/60 Hz • run capacitor • PTC • static cooling)						
Evaporating temperature	°C	-23.3	-23.3	-23.3	-23.3	-23.3
Cooling capacity	W	-	168	184	201	236
Power consumption	W	-	94.8	104	113	133
COP	W/W	-	1.77	1.77	1.77	1.77

Dimensions					
Height	mm	A	167.0		
		B	173.5		
Suction connector	location/I.D. mm angle material seal	C	6.15 35° Copper plated steel Rubber plug		
Process connector	location/O.D. mm angle material seal	D	6.00 35° Copper Rubber plug		
Discharge connector	location/I.D. mm angle material seal	E	5.15 40° Copper plated steel Rubber plug		



Nidec Global Appliance Germany GmbH · Mads-Clausen-Str. 7 · 24939 Flensburg · Germany · Tel: +49 461 4941 0 · www.secop.com

Nidec GA Compressors accepts no responsibility for possible errors in catalogs, brochures, and other printed material. Nidec GA Compressors reserves the right to alter its products without notice. This also applies to products already on order provided that such alterations can be made without consequential changes being necessary to specifications already agreed. All trademarks in this material are the property of the respective companies. Secop and the Secop logotype are trademarks of Nidec Global Appliance Germany GmbH. All rights reserved.

Produced by Nidec Global Appliance Germany GmbH | October 2017

DES.N.520.K5.02