

R290 · 115–127 V | 60 Hz

A NEW PREMIUM PROPANE SOLUTION FOR GREEN AND EFFICIENT CABINETS

SECCP



KL-Series



INNOVATIVE SOLUTION



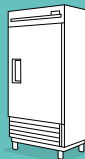
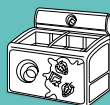
ENERGY OPTIMIZED



NATURAL REFRIGERANT



COMMERCIAL APPLICATIONS



→ Premium Robustness

The KL-Series features the tried and trusted quality of our K-Series optimized for light commercial applications

→ Robust Solution for Food Retail and Food Service Applications

Dedicated reliable design for bottle coolers, glass door merchandisers, and ice cream freezers (LBP and MBP applications) and suitable for food service applications

→ Superior Efficiency

High COP and top efficiency for light commercial applications with low GWP refrigerant propane (R290)

→ Innovative Solution for Flammable Refrigerants

Including a patented solution to increase robustness using propane that has been subject to extensive testing at Secop

→ Easier Application Assembly

New terminal board design for additional interconnections

→ Reduced Noise Level

Improved noise and reduced vibration, a new benchmark level for hydrocarbon refrigerants

Secop's new **KL-Series** is based on the very successful K-Series, Secop's core product for residential applications, with more than 50 million units installed.

The KL-Series was developed to offer a reliable, top performing, and cost-effective solution for the next generation of light commercial cabinets using environmentally friendly refrigerant propane and offering high energy efficiency.

Secop has developed a robust series for commercial refrigeration, which integrates various technical innovations, such as a noise-reducing shell, robust suspension, a robust internal discharge tube, improved valves, optimized motors, and a new muffler for lower noise levels when using propane.

The KL-Series comes with a patented hermetic terminal plug designed to increase robustness for usage with flammable refrigerants.

The KL-Series offers a reliable and robust design for commercial applications, specifically designed for R290 hydrocarbon refrigerant. This is the latest improvement on Secop's products for flammable refrigerants and will set a benchmark in the entire industry.

GENERAL	KLF4.0MNH	KLF4.8MNH	KLF5.6MNH	KLF6.6MNH
Compressor	106H3401	106H3500	106H3601	106H3700
Approvals (pending)	UL 60335-2-34 with Annex AA			

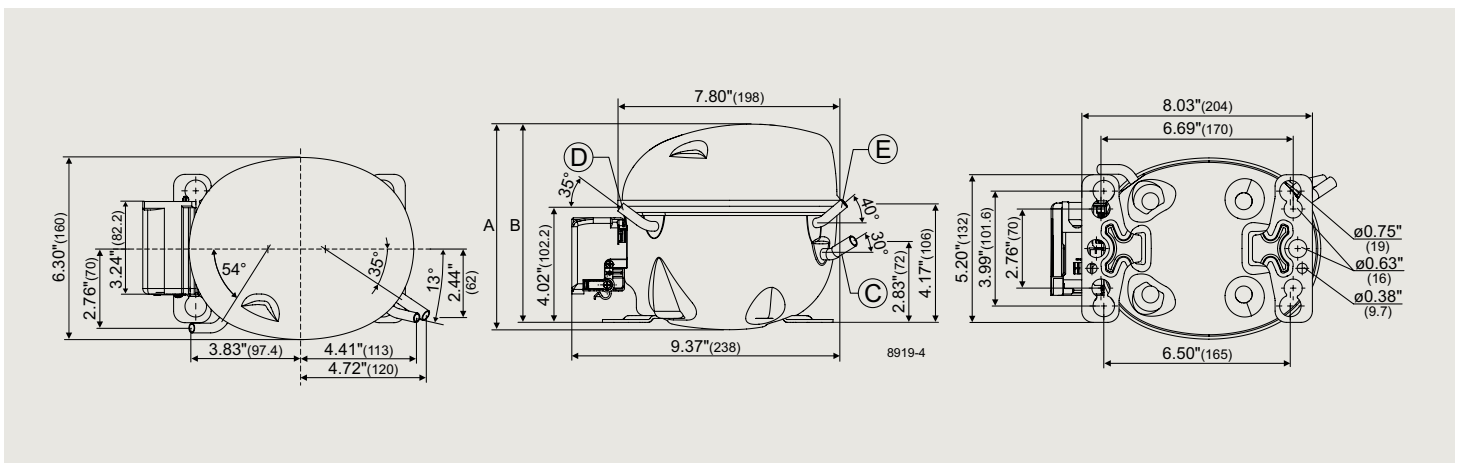
APPLICATION	R290			
Application	MBP	MBP	MBP	MBP
Evaporating temperature °F	-22 to 45	-22 to 45	-22 to 45	-22 to 45
Voltage range / frequency V/Hz	95-140/60	95-140/60	95-140/60	95-140/60

PERFORMANCE DATA ASHRAE MBP (115 V, 60 Hz • fan cooling)					
Evaporating temperature °F		20	20	20	20
Cooling capacity BTU/h		1415	1709	2044	2409
Power consumption W		200	239	287	339
EER BTU/Wh		7.09	7.16	7.13	7.10
Test conditions	Condensing temperature: 130 °F Suction gas temperature: 95 °F Ambient temperature: 95 °F Liquid temperature: 115 °F				

PERFORMANCE DATA ARI 540 MBP (115 V, 60 Hz • fan cooling)					
Evaporating temperature °F		20	20	20	20
Cooling capacity BTU/h		1342	1616	1933	2279
Power consumption W		189	229	274	324
EER BTU/Wh		7.10	7.06	7.06	7.03
Test conditions	Condensing temperature: 120 °F Suction gas temperature: 65 °F Ambient temperature: 95 °F Liquid temperature: 120 °F				

PERFORMANCE DATA CECOMAF MBP (115 V, 60 Hz • fan cooling)					
Evaporating temperature °F		14	14	14	14
Cooling capacity BTU/h		1117	1351	1617	1906
Power consumption W		192	227	273	322
EER BTU/Wh		5.82	5.95	5.94	5.93
Test conditions	Condensing temperature: 131 °F Suction gas temperature: 90 °F Ambient temperature: 90 °F Liquid temperature: 131 °F				

DIMENSIONS		
Height	mm	A 7.17
		B 6.89
Suction connector	location/I.D. inch angle material seal	C 0.32-0.33 30° Copper Rubber plug
Process connector	location/I.D. inch angle material seal	D 0.25-0.26 35° Copper Rubber plug
Discharge connector	location/I.D. inch angle material seal	E 0.25-0.26 40° Copper Rubber plug



Secop GmbH · Lise-Meitner-Str. 29 · 24941 Flensburg, Germany · Tel: +49 461 4941 0 · www.secop.com

Secop accepts no responsibility for possible errors in catalogs, brochures, and other printed material. Secop reserves the right to alter its products without notice. This also applies to products already on order provided that such alterations can be made without subsequential changes being necessary to specifications already agreed. All trademarks in this material are the property of the respective companies. Secop and the Secop logotype are trademarks of Secop GmbH. All rights reserved.