

R290 · 115–127V | 60 Hz

A NEW PREMIUM PROPANE SOLUTION FOR GREEN AND EFFICIENT CABINETS

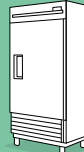
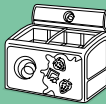
SECCP



KL-Series



Commercial Applications



New Hermetic Terminal Plug



Broad Application Range (LBP & MBP)



Optimal Energy Consumption



Reduced Noise and Vibration



R290 Green Refrigerant

- **Premium Robustness**
The KL-Series features the tried and trusted quality of our K-Series optimized for light commercial applications
- **Robust Solution for Food Retail and Food Service Applications**
Dedicated reliable design for bottle coolers, glass door merchandisers, and ice cream freezers (LBP and MBP applications) and suitable for food service applications
- **Superior Efficiency**
High COP and top efficiency for light commercial applications with low GWP refrigerant propane (R290)
- **Innovative Solution for Flammable Refrigerants**
Including a patented solution to increase robustness using propane that has been subject to extensive testing at Secop
- **Easier Application Assembly**
New terminal board design for additional interconnections
- **Reduced Noise Level**
Improved noise and reduced vibration, a new benchmark level for hydrocarbon refrigerants

Secop's new **KL-Series** is based on the very successful K-Series, Secop's core product for residential applications, with more than 50 million units installed.

The KL-Series was developed to offer a reliable, top performing, and cost-effective solution for the next generation of light commercial cabinets using environmentally friendly refrigerant propane and offering high energy efficiency.

Secop has developed a robust series for commercial refrigeration, which integrates various technical innovations, such as a noise-reducing shell, robust suspension, a robust internal discharge tube, improved valves, optimized motors, and a new muffler for lower noise levels when using propane.

The KL-Series comes with a patented hermetic terminal plug designed to increase robustness for usage with flammable refrigerants.

The KL-Series offers a reliable and robust design for commercial applications, specifically designed for R290 hydrocarbon refrigerant. This is the latest improvement on Secop's products for flammable refrigerants and will set a benchmark in the entire industry.

General	KLF4.0CNH	KLF4.8CNH	KLF5.6CNH	KLF6.6CNH	KLF7.7CNH
Compressor	106H3401	106H3500	106H3601	106H3700	106H3802
Approvals	UL 60335-2-34, CCC, UL 60079-1, UL 60079-15				

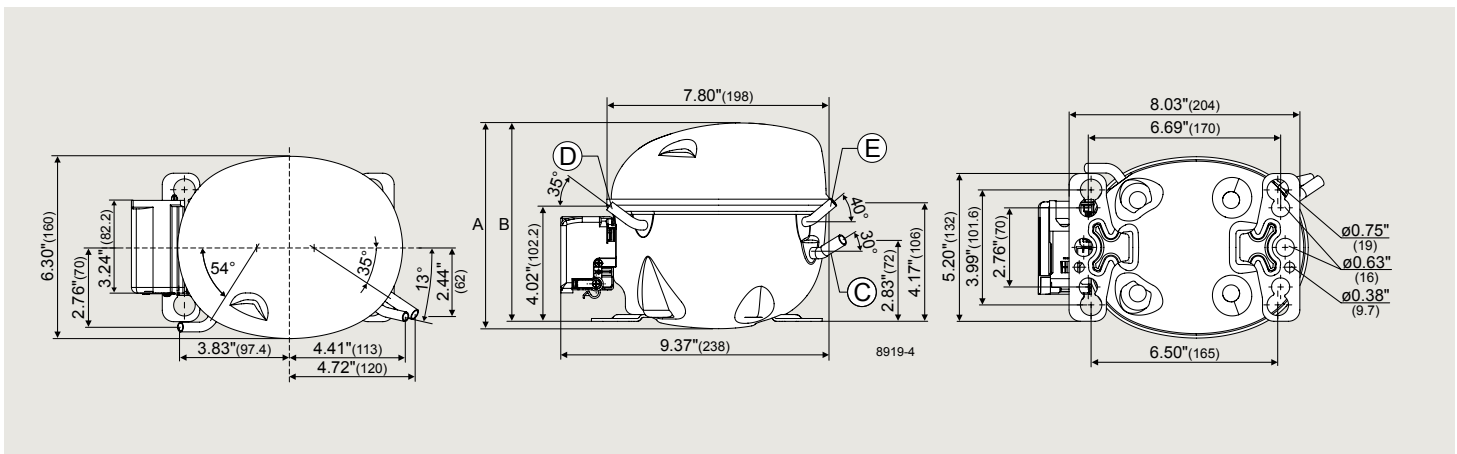
Application	R290				
Application	LBP/MBP	LBP/MBP	LBP/MBP	LBP/MBP	LBP/MBP
Evaporating temperature	°F	-40 to 45	-40 to 45	-40 to 45	-40 to 45
Voltage range / frequency	V/Hz	95-140/60	95-140/60	95-140/60	95-140/60

Performance Data ASHRAE MBP (115 V, 60 Hz • fan cooling)					
Evaporating temperature	°F	20	20	20	20
Cooling capacity	BTU/h	1429	1735	2080	2451
Power consumption	W	200	245	289	346
EER	BTU/Wh	7.14	7.07	7.20	7.09
Test conditions	Condensing temperature: 130°F Suction gas temperature: 95°F Ambient temperature: 90°F Liquid temperature: 115°F				

Performance Data ARI 540 MBP (115 V, 60 Hz • fan cooling)					
Evaporating temperature	°F	20	20	20	20
Cooling capacity	BTU/h	1355	1639	1953	2316
Power consumption	W	189	236	274	333
EER	BTU/Wh	7.16	6.96	7.13	6.95
Test conditions	Condensing temperature: 120°F Suction gas temperature: 65°F Ambient temperature: 95°F Liquid temperature: 120°F				

Performance Data CECOMAF MBP (115 V, 60 Hz • fan cooling)					
Evaporating temperature	°F	14	14	14	14
Cooling capacity	BTU/h	1134	1372	1653	1941
Power consumption	W	193	234	276	329
EER	BTU/Wh	5.88	5.87	5.99	5.91
Test conditions	Condensing temperature: 131°F Suction gas temperature: 90°F Ambient temperature: 90°F Liquid temperature: 131°F				

Dimensions			
Height	mm	A	7.17
		B	6.89
Suction connector	location/I.D. inch angle material seal	C	0.32-0.33 30° Copper Rubber plug
Process connector	location/I.D. inch angle material seal	D	0.25-0.26 35° Copper Rubber plug
Discharge connector	location/I.D. inch angle material seal	E	0.25-0.26 40° Copper Rubber plug



Secop GmbH · Lise-Meitner-Str. 29 · 24941 Flensburg, Germany · Tel: +49 461 4941 0 · www.secop.com

Secop accepts no responsibility for possible errors in catalogs, brochures, and other printed material. Secop reserves the right to alter its products without notice. This also applies to products already on order provided that such alterations can be made without substantial changes being necessary to specifications already agreed. All trademarks in this material are the property of the respective companies. Secop and the Secop logotype are trademarks of Secop GmbH. All rights reserved.