

R290 · 220-240V | 50/60Hz · 208-230V | 60Hz

# A NEW PREMIUM PROPANE SOLUTION FOR GREEN AND EFFICIENT CABINETS

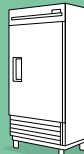
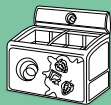
SECCOP



KL-Series



Commercial Applications



New Hermetic Terminal Plug



Broad Application Range (LBP & MBP)



Optimal Energy Consumption



Reduced Noise and Vibration



R290 Green Refrigerant

- **Premium Robustness**  
The KL-Series features the tried and trusted quality of our K-Series optimized for light commercial applications
- **Robust Solution for Food Retail and Food Service Applications**  
Dedicated reliable design for bottle coolers, glass door merchandisers, and ice cream freezers (LBP and MBP applications) and suitable for food service applications
- **Superior Efficiency**  
High COP and top efficiency for light commercial applications with low GWP refrigerant propane (R290)
- **Innovative Solution for Flammable Refrigerants**  
Including a patented solution to increase robustness using propane that has been subject to extensive testing at Secop
- **Easier Application Assembly**  
New terminal board design for additional interconnections
- **Reduced Noise Level**  
Improved noise and reduced vibration, a new benchmark level for hydrocarbon refrigerants

Secop's new **KL-Series** is based on the very successful K-Series, Secop's core product for residential applications, with more than 50 million units installed. The KL-Series was developed to offer a reliable, top performing, and cost-effective solution for the next generation of light commercial cabinets using environmentally friendly refrigerant propane and offering high energy efficiency.

Secop has developed a robust series for commercial refrigeration, which integrates various technical innovations, such as a noise-reducing shell, robust suspension, a robust internal discharge tube, improved valves, optimized motors, and a new muffler for lower noise levels when using propane. The KL-Series comes with a patented hermetic terminal plug designed to increase robustness for usage with flammable refrigerants. The dual frequency (50/60 Hz) CNT types are designed to support regions that experience harsh and challenging environments and where voltage fluctuations as well as high ambient temperatures need to be taken into account.

The KL-Series offers a reliable and robust design for commercial applications, specifically designed for R290 hydrocarbon refrigerant. This is the latest improvement on Secop's products for flammable refrigerants and will set a benchmark in the entire industry.

General	KLF4.0CND	KLF4.8CND	KLF5.6CND	KLF6.6CND	KLF7.7CND	KLF4.8CNT	KLF5.6CNT	KLF6.6CNT	KLF7.7CNT	
Compressor	106H2401	106H2500	106H2600	106H2700	106H2800	106H2502	106H2602	106H2702	106H2808	
Approvals	EN60335-1, EN 60335-2-34 with Annex AA, IEC/EN 60079-1 IEC/EN 60079-15, CCC* [*excluding KLF4.0CND]						UL 60335-2-34, IEC 60335-2-34 IEC/UL 60079-1, IEC/UL 60079-15			

Application	R290									
Application	LBP/MBP	LBP/MBP	LBP/MBP	LBP/MBP	LBP/MBP	LBP/MBP	LBP/MBP	LBP/MBP	LBP/MBP	LBP/MBP
Evaporating temperature °C	-40 to 7.2	-40 to 7.2	-40 to 7.2	-35 to 7.2	-35 to 7.2	-35 to 7.2	-35 to 7.2	-35 to 7.2	-35 to 7.2	-35 to 7.2
Voltage range / frequency V/Hz	198-254/50	198-254/50	198-254/50	198-254/50	198-254/50	187-254/50 198-253/60	187-254/50 198-253/60	187-254/50 198-253/60	187-254/50 198-253/60	187-254/50 198-253/60

Performance Data ASHRAE LBP	fan cooling					fan cooling (50   60 Hz)				
Evaporating temperature °C	-23.3	-23.3	-23.3	-23.3	-23.3	-23.3	-23.3	-23.3	-23.3	-23.3
Cooling capacity W	183	230	274	337	385	229   285	271   332	326   397	393   482	
Power consumption W	124	153	177	223	254	155   181	176   210	223   256	260   301	
COP	1.48	1.50	1.55	1.51	1.52	1.48   1.57	1.54   1.58	1.46   1.55	1.51   1.60	

Test conditions  
 CND: 220 V, 50 Hz, CNT: 230 V, 50/60 Hz  
 Condensing temperature: 54.4 °C | Suction gas temperature: 32.2 °C  
 Ambient temperature: 32.2 °C | Liquid temperature: 32.2 °C

Performance Data ASHRAE MBP	fan cooling					fan cooling (50   60 Hz)				
Evaporating temperature °C	-6.7	-6.7	-6.7	-6.7	-6.7	-6.7	-6.7	-6.7	-6.7	-6.7
Cooling capacity W	336	410	495	596	688	420   520	490   604	584   704	699   837	
Power consumption W	162	199	239	296	343	203   249	238   292	298   352	348   412	
COP	2.08	2.06	2.07	2.01	2.00	2.07   2.09	2.06   2.07	1.96   2.00	2.01   2.03	

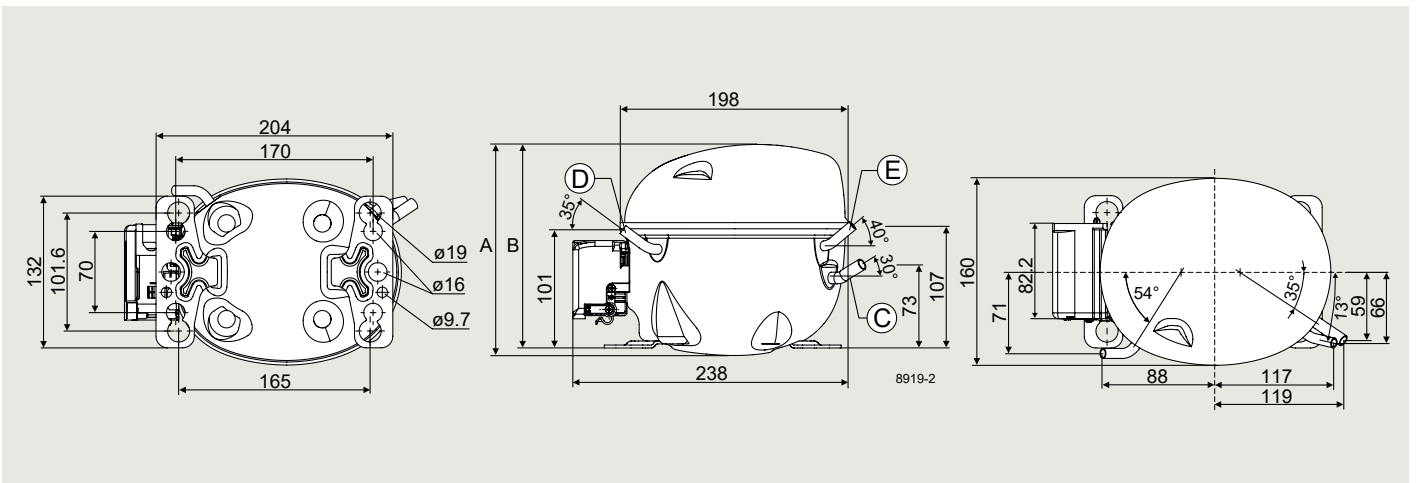
Test conditions  
 CND: 220 V, 50 Hz, CNT: 230 V, 50/60 Hz  
 Condensing temperature: 54.4 °C | Suction gas temperature: 35 °C  
 Ambient temperature: 32.2 °C | Liquid temperature: 46.1 °C

Performance Data ASHRAE MBP	fan cooling					fan cooling (50   60 Hz)				
Evaporating temperature °C	-6.7	-6.7	-6.7	-6.7	-6.7	-6.7	-6.7	-6.7	-6.7	-6.7
Cooling capacity W	337	411	501	598	694	421   511	500   616	590   711	706   845	
Power consumption W	157	190	231	282	327	194   231	232   281	287   339	335   397	
COP	2.14	2.17	2.17	2.12	2.12	2.17   2.21	2.16   2.20	2.06   2.10	2.11   2.13	

Test conditions (with run capacitor)  
 CND: 220 V, 50 Hz, CNT: 230 V, 50/60 Hz  
 Condensing temperature: 54.4 °C | Suction gas temperature: 35 °C  
 Ambient temperature: 32.2 °C | Liquid temperature: 46.1 °C

Dimensions		
Height	mm	A 182 B 175
Suction connector	I.D. mm   angle material   seal	C 8.2   30° Copper   Rubber plug
Process connector	I.D. mm   angle material   seal	D 6.2   35° Copper   Rubber plug
Discharge connector	I.D. mm   angle material   seal	E 6.2   40° Copper   Rubber plug
Conn. tolerance	I.D. mm	±0.09

Variants with small baseplates available on request, please contact Secop for further information. KLF6.6CNT & KLF7.7CNT: preliminary data



Secop GmbH · Lise-Meitner-Str. 29 · 24941 Flensburg, Germany · Tel: +49 461 4941 0 · [www.secop.com](http://www.secop.com)

Secop accepts no responsibility for possible errors in catalogs, brochures, and other printed material. Secop reserves the right to alter its products without notice. This also applies to products already on order provided that such alterations can be made without consequential changes being necessary to specifications already agreed. All trademarks in this material are the property of the respective companies. Secop and the Secop logo are trademarks of Secop GmbH. All rights reserved.