

R290 · 220–240 V | 50 Hz

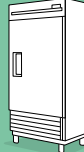
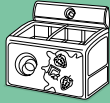
A NEW PREMIUM PROPANE SOLUTION FOR GREEN AND EFFICIENT CABINETS

SECCP



KL-Series

 Commercial Applications



New Hermetic Terminal Plug



Broad Application Range (LBP & MBP)



Optimal Energy Consumption



Reduced Noise and Vibration



R290 Green Refrigerant

- **Premium Robustness**
The KL-Series features the tried and trusted quality of our K-Series optimized for light commercial applications
- **Robust Solution for Food Retail and Food Service Applications**
Dedicated reliable design for bottle coolers, glass door merchandisers, and ice cream freezers (LBP and MBP applications) and suitable for food service applications
- **Superior Efficiency**
High COP and top efficiency for light commercial applications with low GWP refrigerant propane (R290)
- **Innovative Solution for Flammable Refrigerants**
Including a patented solution to increase robustness using propane that has been subject to extensive testing at Secop
- **Easier Application Assembly**
New terminal board design for additional interconnections
- **Reduced Noise Level**
Improved noise and reduced vibration, a new benchmark level for hydrocarbon refrigerants

Secop's new **KL-Series** is based on the very successful K-Series, Secop's core product for residential applications, with more than 50 million units installed.

The KL-Series was developed to offer a reliable, top performing, and cost-effective solution for the next generation of light commercial cabinets using environmentally friendly refrigerant propane and offering high energy efficiency.

Secop has developed a robust series for commercial refrigeration, which integrates various technical innovations, such as a noise-reducing shell, robust suspension, a robust internal discharge tube, improved valves, optimized motors, and a new muffler for lower noise levels when using propane.

The KL-Series comes with a patented hermetic terminal plug designed to increase robustness for usage with flammable refrigerants.

The KL-Series offers a reliable and robust design for commercial applications, specifically designed for R290 hydrocarbon refrigerant. This is the latest improvement on Secop's products for flammable refrigerants and will set a benchmark in the entire industry.

GENERAL	KLF4.0CND	KLF4.8CND	KLF5.6CND	KLF6.6CND	KLF7.7CND	KLF7.7LND*
Compressor (*samples available)	106H2401	106H2500	106H2600	106H2700	106H2800	106H2801
Approvals	EN 60335-2-34 with Annex AA, CCC					

APPLICATION	R290					
Application	LBP/MBP	LBP/MBP	LBP/MBP	LBP/MBP	LBP/MBP	LBP
Evaporating temperature °C	-40 to 7.2	-40 to 7.2	-40 to 7.2	-35 to 7.2	-35 to 7.2	-40 to -15
Voltage range / frequency V/Hz	198-254/50	198-254/50	198-254/50	198-254/50	198-254/50	198-254/50

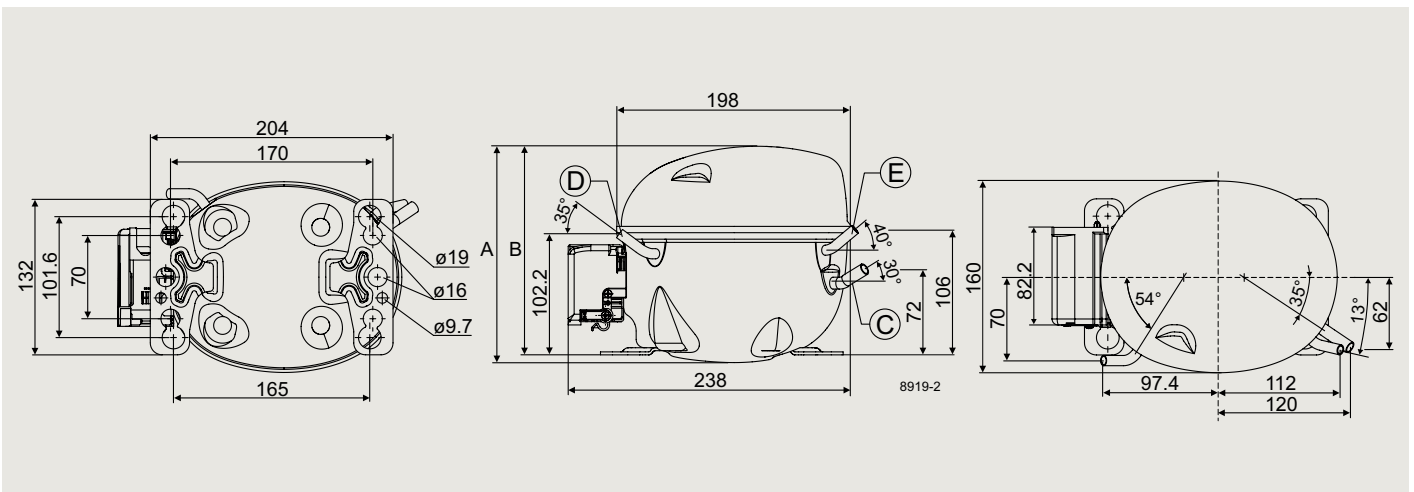
PERFORMANCE DATA ASHRAE (220 V, 50 Hz)	MBP (fan cooling)					LBP (static fan)
Evaporating temperature °C	-6.7	-6.7	-6.7	-6.7	-6.7	-23.3
Cooling capacity W	336	414	495	597	704	382 390
Power consumption W	162	199	236	291	357	249 248
COP W/W	2.08	2.08	2.10	2.05	1.97	1.53 1.57
Test conditions	Condensing temperature: LBP: 54.4 °C, MBP: 54.4 °C Suction gas temperature: LBP: 32.2 °C, MBP: 35 °C Ambient temperature: LBP: 32.2 °C, MBP: 35 °C Liquid temperature: LBP 32.2 °C, MBP: 46.1 °C					

PERFORMANCE DATA EN 12900 (220 V, 50 Hz)	MBP (fan cooling)					LBP (static fan)
Evaporating temperature °C	-10	-10	-10	-10	-10	-35
Cooling capacity W	299	371	435	523	623	222 227
Power consumption W	140	173	205	253	309	180 179
COP W/W	2.14	2.14	2.12	2.07	2.01	1.24 1.27
Test conditions	Condensing temperature: LBP: 40 °C, MBP: 45 °C Suction gas temperature: LBP: 20 °C, MBP: 20 °C Ambient temperature: LBP: 32 °C, MBP: 32 °C Liquid temperature: LBP 40 °C, MBP: 45 °C					

PERFORMANCE DATA ASHRAE (220 V, 50 Hz • run capacitor)	MBP (fan cooling)					LBP (static fan)
Evaporating temperature °C	-6.7	-6.7	-6.7	-6.7	-6.7	-23.3
Cooling capacity W	337	415	496	599	706	383 391
Power consumption W	157	190	225	277	340	237 236
COP W/W	2.14	2.18	2.21	2.16	2.08	1.61 1.66
Test conditions (with run capacitor)	Condensing temperature: LBP: 54.4 °C, MBP: 54.4 °C Suction gas temperature: LBP: 32.2 °C, MBP: 35 °C Ambient temperature: LBP: 32.2 °C, MBP: 35 °C Liquid temperature: LBP 32.2 °C, MBP: 46.1 °C					

DIMENSIONS			
Height	mm	A B	182 175
Suction connector	location/I.D. mm angle material seal	C	8.2 30° Copper Rubber plug
Process connector	location/I.D. mm angle material seal	D	6.2 35° Copper Rubber plug
Discharge connector	location/I.D. mm angle material seal	E	6.2 40° Copper Rubber plug
Connector tolerance	I.D. mm		±0.09

Variants with small baseplates available on request, please contact Secop for further information.



Secop GmbH · Lise-Meitner-Str. 29 · 24941 Flensburg, Germany · Tel: +49 461 4941 0 · www.secop.com

Secop accepts no responsibility for possible errors in catalogs, brochures, and other printed material. Secop reserves the right to alter its products without notice. This also applies to products already on order provided that such alterations can be made without consequential changes being necessary to specifications already agreed. All trademarks in this material are the property of the respective companies. Secop and the Secop logotype are trademarks of Secop GmbH. All rights reserved.