

A PREMIUM ROBUSTNESS SOLUTION FOR HIGH EFFICIENT CABINETS

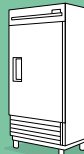
SECCP



KLE-GFTX



Commercial Applications



Hot Gas Defrost



Broad Application Range (L/M/HBP)



High Overload Robustness



Reduced Noise and Vibration



Excellent Efficiency

- **Premium Robustness**
KLE compressors feature the tried and trusted quality of our K-Series compressors optimized for light commercial applications
- **Robust Solution for Food Retail and Food Service Applications**
Dedicated reliable design for bottle coolers, glass door merchandisers, and ice cream freezers and suitable for food service applications (LBP, MBP, and HBP applications)
- **Excellent Efficiency**
High COP and top efficiency for light commercial applications
- **Optimized Muffler System**
The new muffler feature minimizes the risk of compressor or system damage due to extreme liquid return conditions
- **Easier Application Assembly**
New terminal board design for additional interconnections
- **Reduced Noise Level**
Improved noise and reduced vibration

Secop's new **KLE-GFTX** compressors are based on the very successful K-Series, Secop's core product for residential applications, with more than 50 million units installed.

The KL-Series was developed to offer a reliable, top-performing, and cost-effective solution for the next generation of light commercial cabinets offering excellent energy efficiency.

Secop has developed a robust series for commercial refrigeration, which integrates various technical innovations, such as a noise-reducing shell, robust suspension, a robust internal discharge tube, improved valves, optimized motors, and a new muffler for lower noise levels.

KLE-GFTX compressors are dual frequency (50/60 Hz) types and are designed to support regions that experience harsh and challenging environments and where voltage fluctuations as well as high ambient temperatures need to be taken into account.

KLE-GFTX compressors have an optimized muffler system specially developed for applications with rapid load changes and extreme liquid return conditions. It increases the robustness and reliability of the cooling system against this type of overload. These compressors make it possible to remove ice from the evaporator surfaces by hot gas defrosting.

General	KLE4.0GFTX	KLE4.8GFTX	KLE5.6GFTX	KLE6.6GFTX	KLE7.7GFTX	KLE8.6GFTX
Compressor	106G5403	106G5503	106G5603	106G5703	106G5803	106G5903
Approvals (pending)	EN60335-1, EN 60335-2-34 with Annex AA, IEC/EN 60079-1, IEC/EN 60079-15					

Application	R134a					
Application	LBP/MBP/HBP	LBP/MBP/HBP	LBP/MBP/HBP	LBP/MBP/HBP	LBP/MBP/HBP	LBP/MBP/HBP
Evaporating temperature	°C	-35 to 15	-35 to 15	-35 to 15	-35 to 15	-35 to 10
Voltage range / frequency	V/Hz	187-254/50 198-253/60	187-254/50 198-253/60	187-254/50 198-253/60	187-254/50 198-253/60	187-254/50 198-253/60

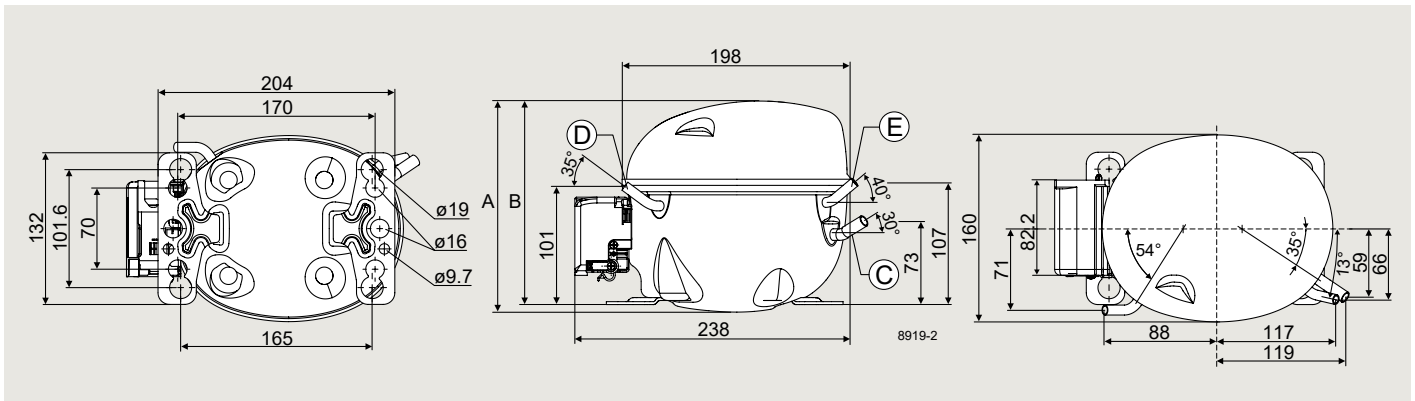
Performance Data ASHRAE LBP (220 V, 50 60 Hz • fan cooling)						
Evaporating temp.	°C	-23.3	-23.3	-23.3	-23.3	-23.3
Cooling capacity	W	102 123	130 155	157 193	189 229	222 266
	BTU/h	347 421	444 528	535 660	647 784	758 909
Power consumption	W	89 102	103 119	119 140	147 167	167 191
COP	W/W	1.14 1.20	1.26 1.30	1.32 1.38	1.29 1.37	1.33 1.39
EER	BTU/Wh	3.91 4.11	4.32 4.45	4.51 4.70	4.41 4.69	4.54 4.75
Test conditions	Condensing temperature: 54.4°C Suction gas temperature: 32.2°C Ambient temperature: 32.2°C Liquid temperature: 32.2°C					

Performance Data ASHRAE MBP (220 V, 50 60 Hz • fan cooling)						
Evaporating temp.	°C	-6.7	-6.7	-6.7	-6.7	-6.7
Cooling capacity	W	221 261	279 330	335 396	401 474	452 540
	BTU/h	756 892	954 1127	1144 1352	1368 1618	1544 1846
Power consumption	W	126 144	149 172	175 203	217 248	250 292
COP	W/W	1.77 1.81	1.88 1.92	1.92 1.95	1.85 1.91	1.81 1.85
EER	BTU/Wh	6.03 6.19	6.42 6.55	6.55 6.65	6.32 6.52	6.20 6.33
Test conditions	Condensing temperature: 54.4°C Suction gas temperature: 35°C Ambient temperature: 32.2°C Liquid temperature: 46.1°C					

Performance Data ASHRAE HBP (220 V, 50 60 Hz • fan cooling)						
Evaporating temp.	°C	7.2	7.2	7.2	7.2	7.2
Cooling capacity	W	398 465	502 587	601 703	716 839	791 946
	BTU/h	1360 1588	1715 2005	2053 2399	2446 2865	2703 3229
Power consumption	W	154 180	185 217	220 258	277 319	328 384
COP	W/W	2.58 2.58	2.71 2.71	2.74 2.73	2.59 2.63	2.41 2.46
EER	BTU/Wh	8.81 8.82	9.27 9.25	9.35 9.31	8.83 8.97	8.24 8.41
Test conditions	Condensing temperature: 54.4°C Suction gas temperature: 35°C Ambient temperature: 32.2°C Liquid temperature: 46.1°C					

Dimensions						
Height	mm	A	182			
		B	175			
Suction connector location	I.D. mm angle material seal	C	8.2 30°			
			Copper Rubber plug			
Process connector location	I.D. mm angle material seal	D	6.2 35°			
			Copper Rubberplug			
Discharge connector location	I.D. mm angle material seal	E	6.2 40°			
			Copper Rubber plug			
Connector tolerance	I.D. mm	±0.09				

Variants with small baseplates available on request, please contact Secop for further information.



Secop GmbH · Lise-Meitner-Str. 29 · 24941 Flensburg, Germany · Tel: +49 461 4941 0 · www.secop.com

Secop accepts no responsibility for possible errors in catalogs, brochures, and other printed material. Secop reserves the right to alter its products without notice. This also applies to products already on order provided that such alterations can be made without subsequent changes being necessary to specifications already agreed. All trademarks in this material are the property of the respective companies. Secop and the Secop logotype are trademarks of Secop GmbH. All rights reserved.