

DESIGNED FOR HARD WORK
UNDER TOUGH CONDITIONS

R600a
NLU-KTK.1 COMPRESSORS

20%

HIGHER PERFORMANCE
THAN PREVIOUS MODELS, WITH THE ABILITY
TO START UNDER LOW VOLTAGE CONDITIONS





DESIGNED FOR HARD WORK: NLU-KTK.1 COMPRESSORS

The need for cooling and refrigeration is not limited to markets where power supply is stable and ambient temperatures are below the average body temperature. Sometimes the need might even be bigger in these markets, and that puts a pressure on the refrigerator or freezer.

Our NLU-KTK.1 compressors are specifically designed to operate both in climates where ambient temperature is high and/or in markets where power supply is unstable. The ability to start with a low voltage

power supply and the robustness of the NLU-KTK.1 compressors will secure that the refrigerator or freezer stays cold.

Despite the high robustness of the NLU-KTK.1 compressors, energy efficiency has not been sacrificed. With the highest COP of 1.87/1.46 (ASHRAE/CECOMAF), the NLU-KTK.1 compressors will ensure that our customers are also able to offer cabinets with low energy consumption in markets with high ambient temperatures and unstable power supplies.

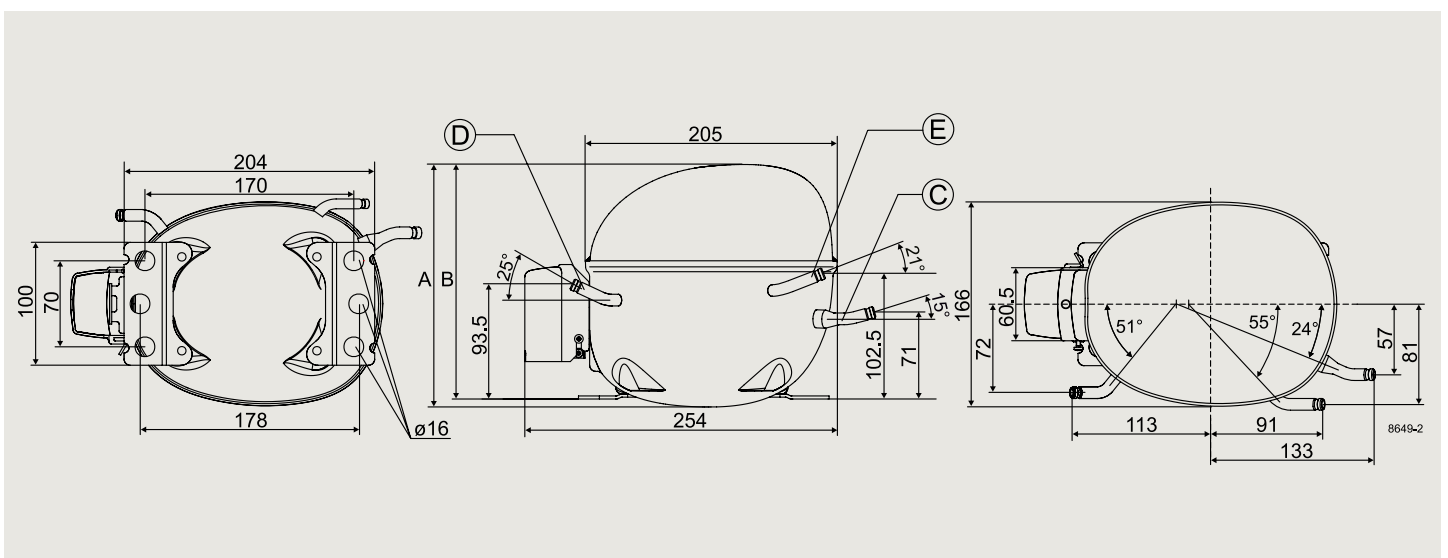
General	NLU11KTK.1	NLU13KTK.1	NLU15KTK.1
Code number	105H6133	105H6381	105H6554
Approvals	EN 60335-2-34 with Annex AA		

Application			
Application			LBP
Evaporating temperature	°C		-35 to -10
Voltage range/frequency	V/Hz		187 - 254/50

Performance data ASHRAE LBP (220 V/50 Hz • ePTC • run capacitor • static cooling)			
Evaporating temperature	°C	-23.3	-23.3
Cooling capacity	W	193	230
Power consumption	W	105	123
COP	W/W	1.84	1.87

Performance data EN 12900 Household/CECOMAF (220 V/50 Hz • ePTC • run capacitor • static cooling)			
Evaporating temperature	°C	-25	-25
Cooling capacity	W	153	172
Power consumption	W	105.6	118
COP	W/W	1.45	1.46

Dimensions			
Height	mm	A	203
		B	197
Suction connector	location/l.D. mm angle material seal	C	6.2 15° Cu-plated steel Al cap
Process connector	location/l.D. mm angle material seal	D	6.2 25° Cu-plated steel Al cap
Discharge connector	location/l.D. mm angle material seal	E	5.0 21° Cu-plated steel Al cap
Connector tolerance	I.D. mm		±0.09, on 0.0 +0.12/+0.20



Nidec Global Appliance Germany GmbH · Mads-Clausen-Str. 7 · 24939 Flensburg · Germany · Tel: +49 461 4941 0 · www.secop.com

Nidec GA Compressors accepts no responsibility for possible errors in catalogs, brochures, and other printed material. Nidec GA Compressors reserves the right to alter its products without notice. This also applies to products already on order provided that such alterations can be made without subsequential changes being necessary to specifications already agreed. All trademarks in this material are the property of the respective companies. Secop and the Secop logotype are trademarks of Nidec Global Appliance Germany GmbH. All rights reserved.

Produced by Nidec Global Appliance Germany GmbH | October 2017

DES.N.520.C4.02