

R290 · 220-240V | 50/60 Hz · 100-240V | 50/60 Hz

NO MORE ENERGY WASTE WITH VARIABLE SPEED

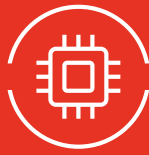
SECCP



NLV-CN



VARIABLE
SPEED EFFICIENCY



PREMIUM
CONTROLLERS



EFFECTIVE
SOLUTION



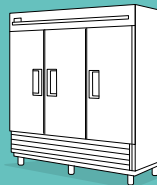
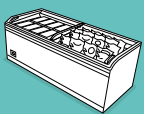
WIDE APPLICATION
RANGE



NATURAL
REFRIGERANT



COMMERCIAL
APPLICATIONS



- Energy savings of up to 40% compared to a fixed speed R404A compressor
- Suitable for both LBP and MBP applications
- Able to operate continuously inside an evaporating temperature range from -40 to +7.2°C
- Intelligent variable-speed drive °CCD® controller (Cool Capacity Drive) with automatic input detection and IP54 housing
- The controller provides a high starting torque and can start against a differential pressure
- Easy customization via Tool4Cool®

Secop's variable speed **NLV-CN** propane compressor solution provides perfect cooling efficiency, tailor-made features, and easy integration within a single unit while ensuring considerable energy savings. The perfect choice for food retail, food storage, and other commercial applications.

It comes with our °CCD® controller featuring speed control through Adaptive Energy Optimization (AEO), frequency signal, or serial communication. Various controllers are available, including a multi-voltage controller which can be used for all voltages and frequencies globally.

The NLV-CN is the right choice if you are looking for a green solution using the environmentally-friendly refrigerant propane (R290) with a low global warming potential (GWP 3).

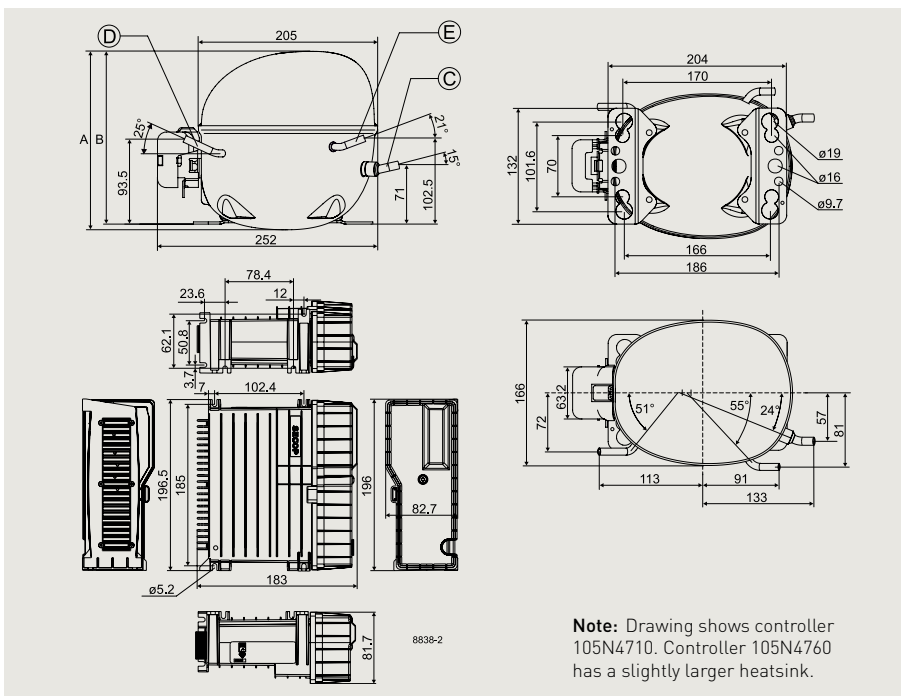
GENERAL		NLV8.8CN		NLV10CN		NLV12.6CN	
Compressor	connectors: metric inch	105H7808	105H7809	105H7003	105H7004	105H6365	105H6356
Electronic unit - Standard	220-240 V	105N4710 (with Power Factor Correction according to EN 61000-3-2:2014)					
Approvals	50/60 Hz	EN 60335-2-34 with Annex AA, CCC					
Electronic unit - Multi Voltage	100-240 V	105N4760 (with Power Factor Correction according to EN 61000-3-2:2014)					
Approvals	50/60 Hz	EN 60335-2-34 with Annex AA, UL 60335-2-34 with Annex AA, CB IEC 60335-2-34, CCC					

APPLICATION													
Application		LBP/MBP											
Evaporating temperature	°C (°F)	-40 to 7.2 (-40 to 45)											
Voltage range / frequency	VDC	180-270 / 50/60 (Standard) 90-270 / 50/60 (Multi Voltage)											
Speed range	rpm	2000-4500											

PERFORMANCE DATA ASHRAE LBP (115/220 V, 50/60 Hz • fan cooling) @ -23.3°C [-10°F] evaporating temperature													
Speed	rpm	2000	2500	3000	4500	2000	2500	3000	4500	2000	2500	3000	4500
Cooling capacity	W	266	346	384	558	352	439	514	749	422	541	653	938
	BTU/h	907	1182	1313	1905	1202	1498	1756	2559	1442	1846	2232	3204
Power consumption	W	153	188	217	324	203	243	289	425	251	309	371	566
COP	W/W	1.73	1.84	1.78	1.72	1.74	1.81	1.78	1.76	1.68	1.75	1.76	1.66
EER	BTU/h	5.91	6.28	6.06	5.88	5.93	6.18	6.07	6.02	5.75	5.97	6.02	5.66
Test conditions	Condensing temp.: 54.4°C (130°F) Suction gas temp.: 35°C (95°F) Ambient temp.: 35°C (95°F) Liquid temp.: 46.1°C (115°F)												

PERFORMANCE DATA ASHRAE MBP (115/220 V, 50/60 Hz • fan cooling) @ -6.7°C [20°F] evaporating temperature													
Speed	rpm	2000	2500	3000	4500	2000	2500	3000	4500	2000	2500	3000	4500
Cooling capacity	W	489	616	718	1049	636	781	929	1357	753	952	1137	1675
	BTU/h	1671	2103	2453	3581	2172	2665	3173	4635	2572	3250	3882	5719
Power consumption	W	216	262	306	458	289	341	408	612	348	441	520	818
COP	W/W	2.27	2.35	2.35	2.29	2.21	2.29	2.28	2.22	2.17	2.16	2.19	2.05
EER	BTU/h	7.74	8.02	8.02	7.82	7.53	7.81	7.79	7.57	7.40	7.37	7.46	6.99
Test conditions	Condensing temp.: 54.4°C (130°F) Suction gas temp.: 32.2°C (90°F) Ambient temp.: 32.2°C (90°F) Liquid temp.: 32.2°C (90°F)												

DIMENSIONS		105H7808 / 105H7003 / 105H6365 (metric)				105H7809 / 105H7004 / 105H6366 (inch)				
Height	mm (inch)	A	203				203 (7.99)			
		B	197				197 (7.76)			
Suction connector	location/l.D. mm (inch) angle material seal	C	8.2 15°				8.2 (0.320-0.327) 15°			
			Copper Rubber plug				Copper Rubber plug			
Process connector	location/l.D. mm (inch) angle material seal	D	6.2 25°				6.5 (0.252-0.259) 25°			
			Copper Rubber plug				Copper Rubber plug			
Discharge connector	location/l.D. mm (inch) angle material seal	E	6.2 21°				6.5 (0.252-0.259) 21°			
			Copper Rubber plug				Copper Rubber plug			
Connector tolerance	I.D. mm	±0.09				-				



Available from early 2023:
Second generation controllers
with additional control options
(customer-specific and
multipurpose versions)