

R290 · 100–240V | 50/60Hz

ADAPTABLE CAPACITY AND INTELLIGENT CONTROL

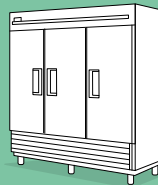
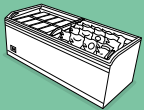
SECCP



NLV-CN XT Extended



Commercial Applications



Variable-Speed Efficiency



Premium Controllers



Wide Application Range



Effective Solutions



Sustainability

- Energy savings of up to 40% compared to a fixed speed R404A compressor
- Suitable for both LBP and MBP applications
- Able to operate continuously inside an evaporating temperature range from -40 to +7.2°C
- Intelligent variable-speed drive °CCD controller (Cool Capacity Drive) with automatic input detection and IP43 housing
- The controller provides a high starting torque and can start against a high differential pressure
- 8 additional relay outputs for case control
- 2-speed defrost control
- 4 temperature sensors and 4 digital/analog I/O
- Easy customization via Tool4Cool®

Secop's variable speed **NLV-CN** propane compressor solution provides perfect cooling efficiency, tailormade features, and easy integration within a single unit while ensuring considerable energy savings. The perfect choice for food retail, food storage, and other commercial applications.

It comes with our °CCD **XT (Extended)** controller featuring speed control through closed-loop-control, serial communication and analog signal. This multivoltage controller can be used for all voltages and frequencies globally.

The XT controller offers additional monitoring options, connectivity and customization of I/O for specific system needs. It will come with a set of optional features: IOT, multi-compressor operation, or a pressure switch.

The NLV-CN is the right choice if you are looking for a green solution using the environmentally-friendly refrigerant propane (R290) with a low global warming potential (GWP 3).

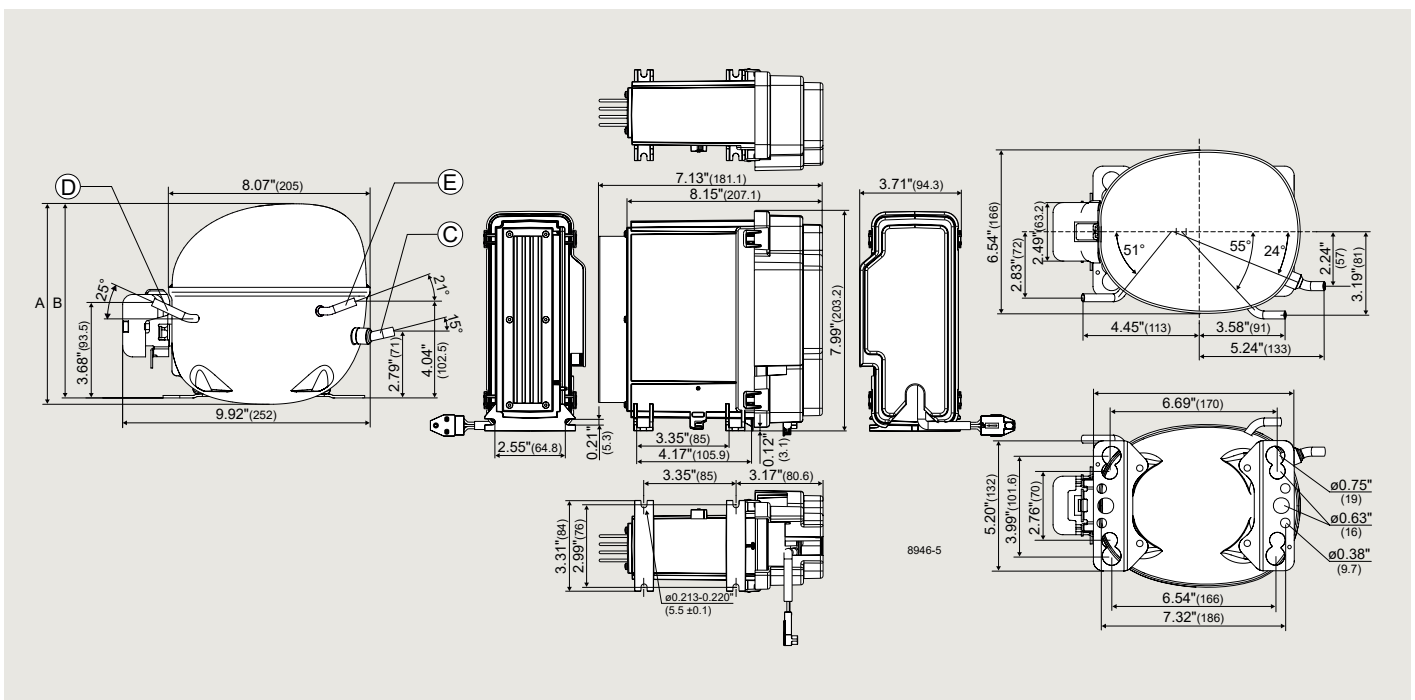
General		NLV8.0CN		NLV10CN		NLV12.6CN	
Compressor	connectors: metric inch	105H7865	105H7866	105H7065	105H7066	105H7365	105H7366
Electronic unit - XT Multi-Voltage	100-240 V	105N4866					
Approvals	50/60 Hz	VDE, UL, CCC, CB					
Power Factor Correction		PFC according to EN 61000-3-2:2014					

Application		R290					
Application		LBP/MBP					
Evaporating temperature	°C (°F)	-40 to 7.2 (-40 to 45)		-40 to 7.2 (-40 to 45)		-40 to 7.2 (-40 to 45)	
Voltage range / frequency	V/Hz	90-270 / 50/60 (Multi Voltage)					
Speed range	rpm	2000-4500					

Performance Data ASHRAE LBP (115/220 V, 50/60 Hz • fan cooling) @ -23.3°C (-10°F) evaporating temperature										
Speed	rpm	2000	3000	4500	2000	3000	4500	2000	3000	4500
Cooling capacity	W	259	409	620	340	529	797	393	606	916
	BTU/h	885	1397	2119	1162	1808	2721	1497	2308	3490
Power consumption	W	147	220	341	194	291	441	249	371	567
COP	W/W	1.76	1.86	1.82	1.76	1.82	1.81	1.76	1.82	1.80
EER	BTU/Wh	6.02	6.35	6.22	6.00	6.22	6.18	6.02	6.22	6.16
Test conditions	Condensing temp.: 54.4°C (130°F) Suction gas temp.: 32.2°C (90°F) Ambient temp.: 32.2°C (90°F) Liquid temp.: 32.2°C (90°F)									

Performance Data ASHRAE MBP (115/220 V, 50/60 Hz • fan cooling) @ -6.7°C (20°F) evaporating temperature										
Speed	rpm	2000	3000	4500	2000	3000	4500	2000	3000	4500
Cooling capacity	W	481	723	1097	678	1046	1578	766	1189	1772
	BTU/h	1644	2470	3745	2074	3199	4826	2618	4062	6053
Power consumption	W	205	303	470	269	408	627	351	535	835
COP	W/W	2.35	2.39	2.34	2.26	2.30	2.25	2.18	2.22	2.12
EER	BTU/Wh	8.04	8.16	7.97	7.70	7.85	7.69	7.45	7.60	7.25
Test conditions	Condensing temp.: 54.4°C (130°F) Suction gas temp.: 35°C (95°F) Ambient temp.: 35°C (95°F) Liquid temp.: 46.1°C (115°F)									

Dimensions		105H7865 / 105H7065 / 105H7365 (metric)			105H7866 / 105H7066 / 105H7366 (inch)			
Height	mm (inch)	A	203			203 (7.99)		
		B	197			197 (7.76)		
Suction connector	location/l.D. mm (inch) angle material seal	C	8.2 15°			8.2 (0.320-0.327) 15°		
			Copper Rubber plug			Copper Rubber plug		
Process connector	location/l.D. mm (inch) angle material seal	D	6.2 25°			6.5 (0.252-0.259) 25°		
			Copper Rubber plug			Copper Rubber plug		
Discharge connector	location/l.D. mm (inch) angle material seal	E	6.2 21°			6.5 (0.252-0.259) 21°		
			Copper Rubber plug			Copper Rubber plug		
Connector tolerance	I.D. mm	±0.09			-			



Secop GmbH · Lise-Meitner-Str. 29 · 24941 Flensburg, Germany · Tel: +49 461 4941 0 · www.secop.com

Secop accepts no responsibility for possible errors in catalogs, brochures, and other printed material. Secop reserves the right to alter its products without notice. This also applies to products already on order provided that such alterations can be made without consequential changes being necessary to specifications already agreed. All trademarks in this material are the property of the respective companies. Secop and the Secop logotype are trademarks of Secop GmbH. All rights reserved.