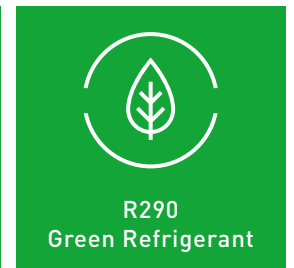
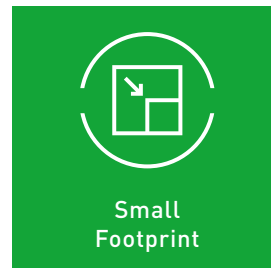


COMBINING COMPACT SIZE WITH HIGH PERFORMANCE

SECCP



SCE Plus



- **Increased Cooling Capacity**
 - Extended displacement for a wider range of applications
- **First-Class Robustness**
 - Improved robustness for liquid return
 - Increased stability during defrosting by hot gas
 - Improved noise/vibration reduction compared to similar products
- **Optimized Electrical System (IP23 Protection Class)**
 - More compact, easier installation
 - Additional connections
 - Flexible configuration options
- **Innovative Solution for Flammable Refrigerants**
 - Innovative patented hermetic terminal plug
- **Multiple Conformity**
 - Natural refrigerant solution
 - Low GWP at maximum capacity
 - Regulatory compliance and environmentally friendly with R290

The new **SCE Plus** refrigeration compressor series from Secop expands the legendary S-Series by a displacement of 23 and 25 cm³. It combines compact size with high performance and is optimized for R290 (propane) to ensure high energy efficiency. This solution is perfect for applications such as supermarket refrigerators/freezers, walk-in freezers, double glass door merchandizers, and much more.

Secop sets new standards in terms of compactness, cooling capacity and reliability with the SCE Plus series. It has been specially developed to support the new IEC approvals for HC refrigerant charges from 150 g to 500 g in commercial refrigeration systems and offers an ultra-compact hermetic compressor solution.

Secop SCE Plus compressors offer optimized start equipment and are resistant to extreme liquid refrigerant returns. The starting accessories include a highly integrated relay as well as starting and running capacitors. These components are compact and easy to install and come with integrated PTC and NTC to reduce peak currents and voltage spikes, which increases safety and service life.

In addition, the series is equipped with a patented Secop hermetic terminal plug that ensures safe use of the R290 refrigerant to prevent root causes of electrical arcs injection with flammable refrigerants.

General	SCE23LNDX	SCE23MNDX	SCE25LNDX	SCE25MNDX	SCE23LNIX	SCE23MNIX	SCE25LNIX	SCE25MNIX
Compressor	104H8320	104H8300	104H8420	104H8400	104H8350	104H8340	104H8440	104H8450
Approvals	CB, VDE, CCC	CB, VDE, CCC	CB, VDE, CCC	CB, VDE, CCC	CB, UL, KC	CB, UL, KC	CB, UL, KC	CB, UL, KC

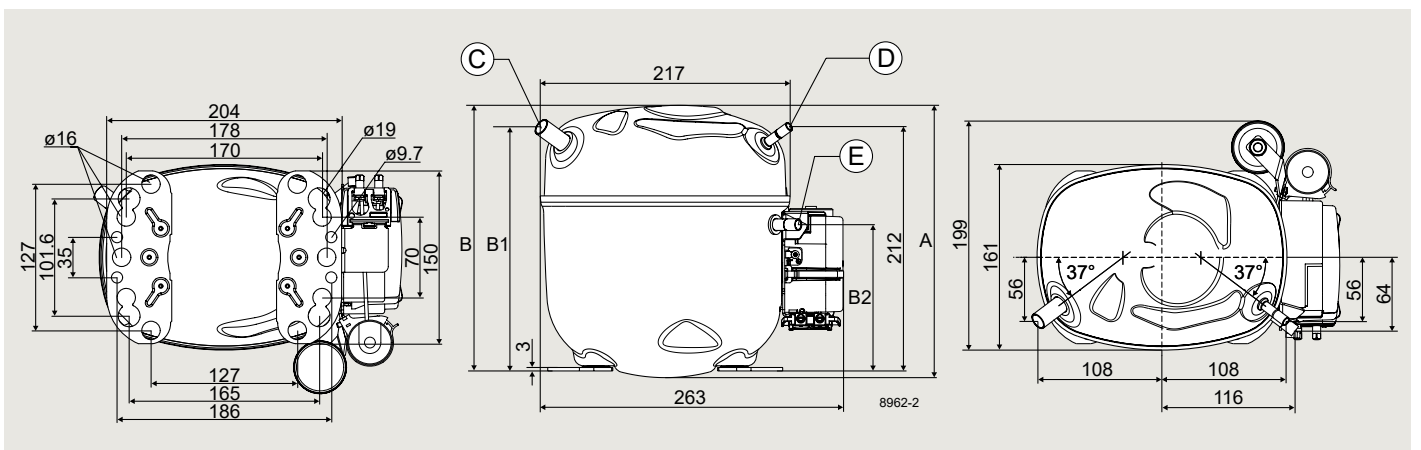
Application	R290							
Application	LBP	MBP	LBP	MBP	LBP	MBP	LBP	MBP
Evaporating temperature °C	-40 to -5	-25 to 10	-40 to -5	-25 to 10	-40 to -5	-25 to 10	-40 to -5	-25 to 10
Voltage range / frequency V/Hz	198-254/50	198-254/50	198-254/50	198-254/50	195-254/60	195-254/60	195-254/60	195-254/60

Performance Data ASHRAE [220 V, 50 Hz • fan cooling]					[230 V, 60 Hz • fan cooling]			
Evaporating temp. °C	-23.3	-6.7	-23.3	-6.7	-23.3	-6.7	-23.3	-6.7
Cooling capacity W	1041	1909	1178	2077	1226	2233	1331	2440
Power consumption W	661	915	728	1036	783	1072	848	1191
COP W/W	1.58	2.09	1.62	2.01	1.57	2.08	1.57	2.05
Test conditions	Condensing temperature: LBP: 54.4 °C, MBP: 54.4 °C Suction gas temperature: LBP: 32.2 °C, MBP: 35 °C Ambient temperature: LBP: 32 °C, MBP: 32 °C Liquid temperature: LBP 32.2 °C, MBP: 46.1 °C							

Performance Data CECOMAF [220 V, 50 Hz • fan cooling]					[230 V, 60 Hz • fan cooling]			
Evaporating temp. °C	-25	-10	-25	-10	-25	-10	-25	-10
Cooling capacity W	773	1523	881	1660	906	1793	988	1920
Power consumption W	634	873	699	992	744	1022	808	1130
COP W/W	1.22	1.74	1.26	1.67	1.22	1.75	1.22	1.70
Test conditions	Condensing temperature: LBP: 55 °C, MBP: 55 °C Suction gas temperature: LBP: 32.2 °C, MBP: 32.2 °C Ambient temperature: LBP: 32 °C, MBP: 32 °C Liquid temperature: LBP 55 °C, MBP: 55 °C							

Performance Data EN 12900 [220 V, 50 Hz • fan cooling]					[230 V, 60 Hz • fan cooling]			
Evaporating temp. °C	-35	-10	-35	-10	-35	-10	-35	-10
Cooling capacity W	615	1701	676	1838	710	1998	771	2243
Power consumption W	476	797	537	882	541	930	600	1038
COP W/W	1.29	2.13	1.26	2.08	1.30	2.15	1.29	2.16
Test conditions	Condensing temperature: LBP: 40 °C, MBP: 45 °C Suction gas temperature: LBP: 20 °C, MBP: 20 °C Ambient temperature: LBP: 32 °C, MBP: 32 °C Liquid temperature: LBP 40 °C, MBP: 45 °C							

Dimensions				
Height	mm	A	236	236
		B	231	231
		B1	212	212
		B2	127	127
Suction connector location	I.D. mm angle material seal	C	12.9 37° Copper Rubber plug	12.9 37° Copper Rubber plug
Process connector location	I.D. mm angle material seal	D	6.2 37° Copper Rubber plug	6.5 37° Copper Rubber plug
Discharge connector location	I.D. mm angle material seal	E	8.2 37° Copper Rubber plug	8.2 37° Copper Rubber plug
Connector tolerance	I.D. mm		±0.09	±0.09



Secop GmbH · Lise-Meitner-Str. 29 · 24941 Flensburg, Germany · Tel: +49 461 4941 0 · www.secop.com

Secop accepts no responsibility for possible errors in catalogs, brochures, and other printed material. Secop reserves the right to alter its products without notice. This also applies to products already on order provided that such alterations can be made without subsequent changes being necessary to specifications already agreed. All trademarks in this material are the property of the respective companies. Secop and the Secop logotype are trademarks of Secop GmbH. All rights reserved.