

R290, 208-240 V 50/60 Hz

THE MOST POWERFUL PROPANE COMPRESSOR

SECCP



SLVE18CN



°CCD®
VARIABLE SPEED DRIVE

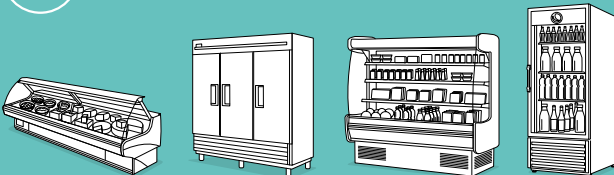
ENERGY SAVINGS
OF UP TO

40%

Compared to a fixed speed
R404A compressor



COMMERCIAL
APPLICATIONS



- Suitable for both LBP and MBP applications
- Achieves more than 2 kW cooling capacity and a COP of up to 2.25 (ASHRAE MBP)
- Able to operate continuously inside an evaporating temperature range from -45 to +10°C
- Intelligent variable-speed drive °CCD® controller (Cool Capacity Drive) with automatic input detection and IP54 housing
- Easy customization via TOOL4COOL®

Secop's new **SLVE18CN** propane variable speed compressor – perfect cooling efficiency, tailor-made features and easy integration.

This energy-optimized 18 cc. compressor is the perfect choice for food retail, food storage, and other commercial applications.

It comes with our new °CCD® controller featuring speed control through Adaptive Energy Optimization (AEO), frequency signal, or serial communication.

GENERAL (code numbers)**SLVE18CN**

Compressor	104H8841
Electronic unit	105N4730 (with Power Factor Correction according to EN 61000-3-2:2014)
Approvals	EN 60335-2-34 with Annex AA, CCC, UL 60335-2-34 with Annex AA

APPLICATION**R290**

Application	LBP/MBP
Evaporating temperature	°C -45 to 10
Voltage range / frequency	V/Hz 180 - 270 / 50/60
Speed range	rpm 2200 - 4500

PERFORMANCE DATA ASHRAE LBP (230 V, 50/60 Hz • fan cooling) @ -23.3°C evaporating temperature

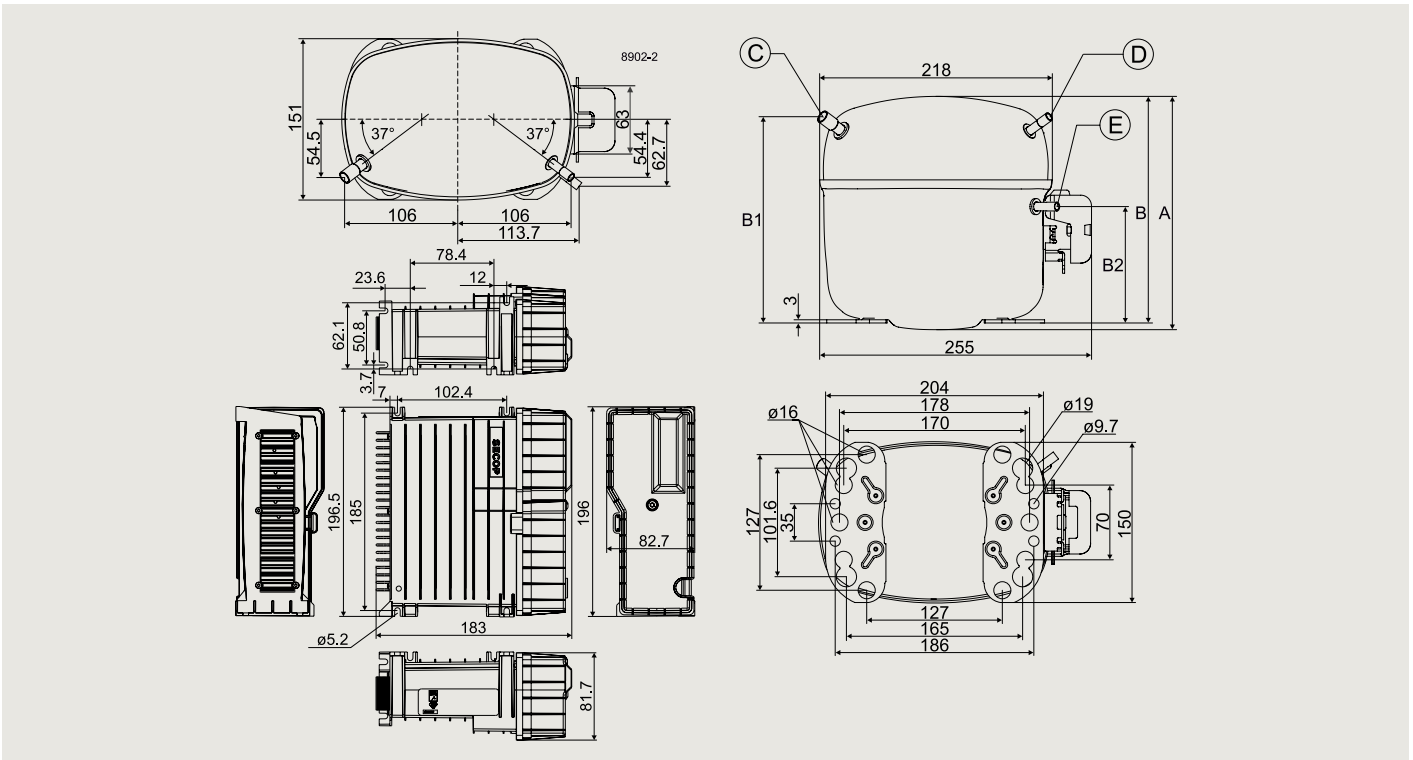
Speed	rpm	2200	2400	2600	2800	3000	3500	4000	4500
Cooling capacity	W	666	721	776	832	887	989	1091	1192
Power consumption	W	386	416	446	476	505	575	645	714
COP	W/W	1.73	1.73	1.74	1.75	1.76	1.72	1.69	1.67
Test conditions	Condensing temperature: 54.4°C Suction gas temperature: 32.2°C Ambient temperature: 32.2°C Liquid temperature: 32.2°C								

PERFORMANCE DATA ASHRAE MBP (230 V, 50/60 Hz • fan cooling) @ -6.7°C evaporating temperature

Speed	rpm	2200	2400	2600	2800	3000	3500	4000	4500
Cooling capacity	W	1199	1298	1397	1497	1597	1780	1963	2146
Power consumption	W	542	584	626	668	710	808	906	1004
COP	W/W	2.21	2.22	2.23	2.24	2.25	2.20	2.17	2.14
Test conditions	Condensing temperature: 54.4°C Suction gas temperature: 35°C Ambient temperature: 35°C Liquid temperature: 46.1°C								

DIMENSIONS

Height	mm	A	219
		B / B1 / B2	213 / 193 / 110
Suction connector	location/I.D. mm angle material seal	C	10.2 37° Copper Rubber plug
Process connector	location/I.D. mm angle material seal	D	6.2 37° Copper Rubber plug
Discharge connector	location/I.D. mm angle material seal	E	6.2 37° Copper Rubber plug
Connector tolerance	I.D. mm		±0.09



Secop GmbH · Mads-Clausen-Str. 7 · 24939 Flensburg · Germany · Tel: +49 461 4941 0 · www.secop.com

Secop accepts no responsibility for possible errors in catalogs, brochures, and other printed material. Secop reserves the right to alter its products without notice. This also applies to products already on order provided that such alterations can be made without consequential changes being necessary to specifications already agreed. All trademarks in this material are the property of the respective companies. Secop and the Secop logotype are trademarks of Secop GmbH. All rights reserved.