

WITH MORE THAN 60 YEARS OF EXPERIENCE IN COMPRESSOR TECHNOLOGY AND HIGHLY DEDICATED EMPLOYEES, OUR FOCUS IS ON DEVELOPING AND

APPLYING ADVANCED COMPRESSOR TECHNOLOGIES TO ACHIEVE STANDARD SETTING PERFORMANCE FOR LEADING PRODUCTS AND BUSINESSES AROUND THE WORLD.



OPENING A NEW CHAPTER IN REFRIGERATION HISTORY

R600a
XV-KX COMPRESSORS



100mm

MAXIMUM HEIGHT
5 - 20 L ADDITIONAL STORAGE VOLUME FOR REFRIGERATORS
(w/ rubber grommets, w/o evap. tray holder)



HIGH^{COP}
EXTREMELY EFFICIENT
EVEN @ LOW SPEEDS



XV COMPRESSORS – THE FUTURE IS NOW

Secop's revolutionary X-Series range is entirely new and relies on new compressor technology that Secop has developed in-house.

The innovative design, from a production point of view, is a pioneer with all-welded parts that are assembled by the latest robotic automated systems, ensuring a trendsetting level of quality.

The completely new platform not only offers the highest system efficiency, but is also challenging with its dimensions the standards for compressor size in the future.

Research and development is a high priority at Secop, and we continue to deliver innovative, energy-saving products to OEMs and end users alike.

XV features ...

- eXtremely small
- eXtremely light
- eXtremely efficient
- eXtremely flexible

... your benefits

- Additional storage volume for refrigerators
- Less weight, easier handling, lower transport costs
- Increased system efficiency
- Adaptable capacity for various applications

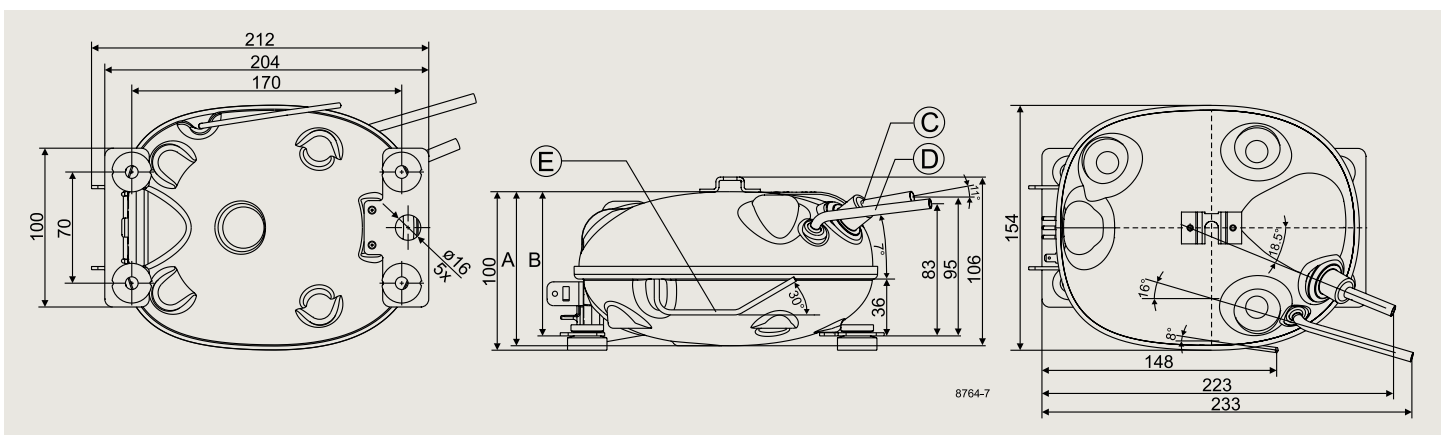
General (code numbers)	XV5.0KX	XV7.2KX	XV8.0KX
Compressor, without electronic unit (4.8 kg)	108H5013	108H7211	108H7712
Electronic unit (attached) - XV-AEO/Freq.	105N5022	105N5022	105N5022
Inputs: Thermostat, frequency signal, Modbus			
Electronic unit (detached) - XV-Frequency	105N5052	105N5052	105N5052
Input: Frequency signal			
Electronic unit (attached, PFC) - XV-AEO/Freq.	105N5320	105N5320	105N5320
Inputs: Thermostat, frequency signal, Modbus	Electronic unit with PFC = Power Factor Correction according to EN 61000-3-2:2014		
Approvals	EN 60335-2-34 with Annex AA (VDE), GB 4706.17 (CCC/CQC)		

Application				
Application		LBP/MBP	LBP	LBP
Evaporating temperature	°C	-35 to 5	-35 to 0 (-5/-10)	-35 to 0 (-5/-10)
Voltage range / frequency	V/Hz	160 - 264 / 50/60	160 - 264 / 50/60	160 - 264 / 50/60
Speed range	rpm		1000 - 4000	

Performance data ASHRAE LBP (220 V, 50/60 Hz • static cooling) @ -23.3 °C evaporating temperature													
Speed	rpm	1000	1200	1600	4000	1000	1200	1600	4000	1000	1200	1600	4000
Cooling capacity	W	22.0	27.2	37.5	92.9	39.1	47.1	63.0	145	43.6	54.1	75.1	165
Power consumption	W	13.2	15.9	21.5	56.1	21.7	26.1	34.8	85.9	24.0	29.3	39.9	96.0
COP	W/W	1.67	1.71	1.75	1.66	1.80	1.81	1.81	1.69	1.82	1.85	1.88	1.72

Performance data Optimization Point (220 V, 50/60 Hz • static cooling • pc = 35 °C / Tliq = 35 °C / Tsuc = 32 °C) @ -25 °C evaporating temperature													
Speed	rpm	1000	1200	1600	4000	1000	1200	1600	4000	1000	1200	1600	4000
Cooling capacity	W	27.8	34.1	46.0	106	42.1	50.5	67.4	150	44.7	54.8	75.1	164
Power consumption	W	12.9	16.0	21.7	55.5	19.0	22.9	30.9	76.9	20.0	24.6	33.8	85.6
COP	W/W	2.15	2.14	2.12	1.90	2.22	2.20	2.18	1.95	2.23	2.23	2.22	1.92

Dimensions				
Height	mm	A	97	
		B	91	
Suction connector	location/l.D. mm angle	C	6.2 12°	
	material seal		Copper Rubber plug	
Process connector	location/O.D. mm angle	D	6.0 7°	
	material seal		Copper Rubber plug	
Discharge connector	location/O.D. mm angle	E	3.2 30°	
	material seal		Cu-plated steel Rubber plug	
Connector tolerance	I.D. mm		6.2 ±0.09. 6.0 ±0.1. 3.2 ±0.05	



Secop GmbH · Mads-Clausen-Str. 7 · 24939 Flensburg · Germany · Tel: +49 461 4941 0 · www.secop.com

Secop accepts no responsibility for possible errors in catalogs, brochures, and other printed material. Secop reserves the right to alter its products without notice. This also applies to products already on order provided that such alterations can be made without consequential changes being necessary to specifications already agreed. All trademarks in this material are the property of the respective companies. Secop and the Secop logotype are trademarks of Secop GmbH. All rights reserved.

Produced by Secop | November 2017

DES.N.520.D6.02