

WITH MORE THAN 60 YEARS OF EXPERIENCE IN COMPRESSOR TECHNOLOGY AND HIGHLY DEDICATED EMPLOYEES, OUR FOCUS IS ON DEVELOPING AND

APPLYING ADVANCED COMPRESSOR TECHNOLOGIES TO ACHIEVE STANDARD SETTING PERFORMANCE FOR LEADING PRODUCTS AND BUSINESSES AROUND THE WORLD.

SECOP

OPENING A NEW CHAPTER
IN REFRIGERATION HISTORY

R600a
XV-KX COMPRESSORS
100-127 V, 50/60 Hz



3.94 inch

MAXIMUM HEIGHT

5 - 20 L ADDITIONAL STORAGE
VOLUME FOR REFRIGERATORS
(w/ rubber grommets, w/o evap. tray holder)

HIGHEER

EXTREMELY EFFICIENT
EVEN @ LOW SPEEDS



XV COMPRESSORS – THE FUTURE IS NOW

Secop's revolutionary X-Series range is entirely new and relies on new compressor technology that Secop has developed in-house.

The innovative design, from a production point of view, is a pioneer with all-welded parts that are assembled by the latest robotic automated systems, ensuring a trendsetting level of quality.

The completely new platform not only offers the highest system efficiency, but is also challenging with its dimensions the standards for compressor size in the future.

Research and development is a high priority at Secop, and we continue to deliver innovative, energy-saving products to OEMs and end users alike.

XV features ...

- eXtremely small
- eXtremely light
- eXtremely efficient
- eXtremely flexible

... your benefits

- Additional storage volume for refrigerators
- Less weight, easier handling, lower transport costs
- Increased system efficiency
- Adaptable capacity for various applications

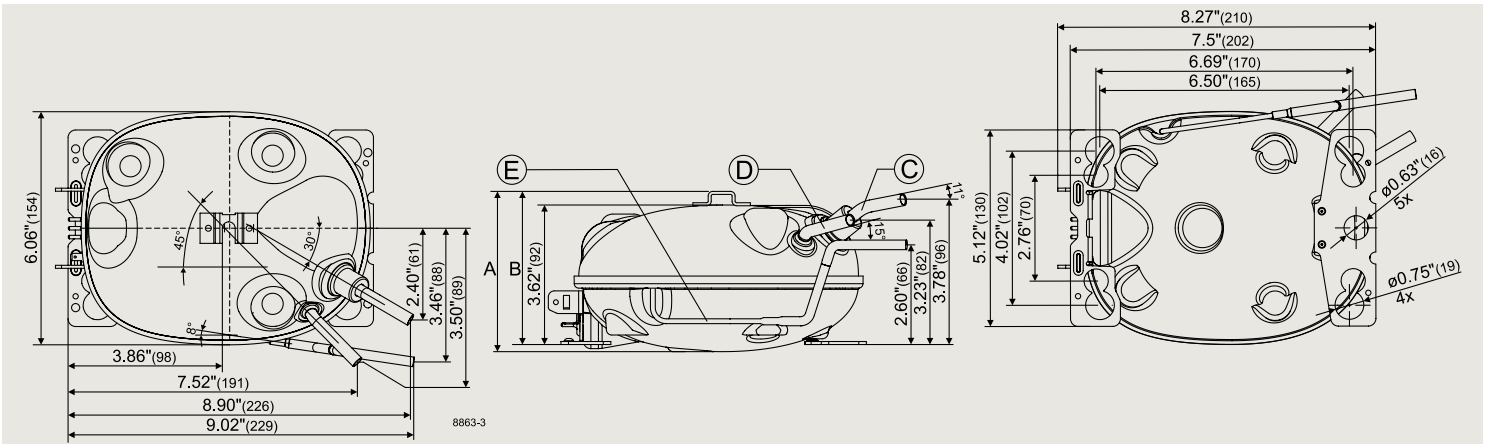
General (code numbers)	XV5.0KX	XV7.2KX	XV8.0KX
Compressor, without electronic unit (10.6 lbs.)	108H5014	108H7214	108H7714
Electronic unit (attached) - XV-AEO/Freq.	105N5312	105N5312	105N5312
Inputs: Thermostat, frequency signal, Modbus			
Electronic unit (detached) - XV-Frequency	105N5150	105N5150	105N5150
Input: Frequency signal			
Approvals	UL 60335-2-34		

Application		LBP/MBP	LBP	LBP
Application				
Evaporating temperature	°F	-31 to 45 (40/32)	-31 to 32 (20/14)	-31 to 32 (20/14)
Voltage range / frequency	V/Hz	90 - 135 / 50/60Hz	90 - 135 / 50/60Hz	90 - 135 / 50/60Hz
Speed range	rpm	1000 - 4000		

Performance data ASHRAE LBP (115 V, 50/60 Hz • static cooling) @ -10 °F evaporating temperature													
Speed	rpm	1000	1200	1600	4000	1000	1200	1600	4000	1000	1200	1600	4000
Cooling capacity	BTU/h	75	93	128	317	133	161	214	495	149	185	252	563
Power consumption	W	12.6	15.6	21.4	52.6	21.6	26.1	34.9	87.7	23.9	29.2	39.5	98.6
EER	BTU/Wh	5.95	5.95	5.98	6.03	6.16	6.16	6.13	5.64	6.23	6.32	6.39	5.72

Performance data AHAM (115 V, 50/60 Hz • static cooling • pc = 105 °F / Tliq = 90 °F / Tsuc = 90 °F) @ -10 °F evaporating temperature													
Speed	rpm	1000	1200	1600	4000	1000	1200	1600	4000	1000	1200	1600	4000
Cooling capacity	BTU/h	102	124	165	377	157	189	251	567	168	206	278	615
Power consumption	W	13.0	16.2	22.0	51.1	20.6	24.9	33.6	84.3	22.0	26.8	36.2	90.9
EER	BTU/Wh	7.82	7.65	7.50	7.37	7.66	7.60	7.49	6.73	7.64	7.68	7.67	6.77

Dimensions			
Height	inch	A	4.17
		B	3.98
Suction connector	location/I.D. inch angle material seal	C	0.252-0.259 11° Copper Rubber plug
Process connector	location/I.D. inch angle material seal	D	0.252-0.259 15° Copper Rubber plug
Discharge connector	location/I.D. inch angle material seal	E	0.191-0.198 0° Copper Rubber plug



Secop GmbH · Mads-Clausen-Str. 7 · 24939 Flensburg · Germany · Tel: +49 461 4941 0 · www.secop.com

Secop accepts no responsibility for possible errors in catalogs, brochures, and other printed material. Secop reserves the right to alter its products without notice. This also applies to products already on order provided that such alterations can be made without subsequential changes being necessary to specifications already agreed. All trademarks in this material are the property of the respective companies. Secop and the Secop logo are trademarks of Secop GmbH. All rights reserved.