

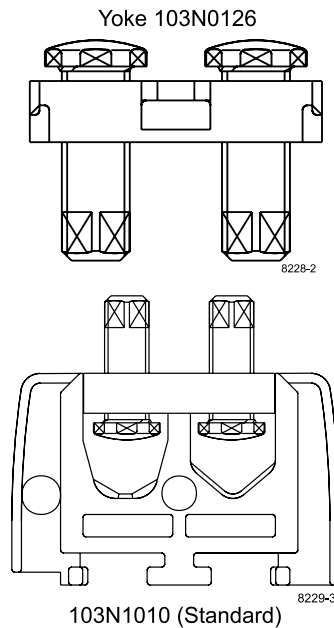
## Secop Cord Reliefs and Cable Fixtures

The cable fixture 103N0489 was developed by Secop to provide perfect cord relief. for P / T / D / N / F / S-Series compressors.

The number of wires and their outside diameters are irrelevant in that matter. Consequently, the existing cable fixtures 103N0420 and 103N0425 can be replaced by this type.

### Yoke 103N0126

The yoke 103N0126, which is part of the cord reliefs 103N1006, 103N1007 and 103N1010 (standard type), remains unchanged.



### Correct Tightening Torque

When tightening the screws of the yoke, be sure to apply a tightening torque of min. 0.5 Nm and max. 0.8 Nm. Depending on the type and number of the inserted cables, tightening torques of 0.9 Nm and higher may lead to deformation or even destruction of the square-end or the slot of the screw.

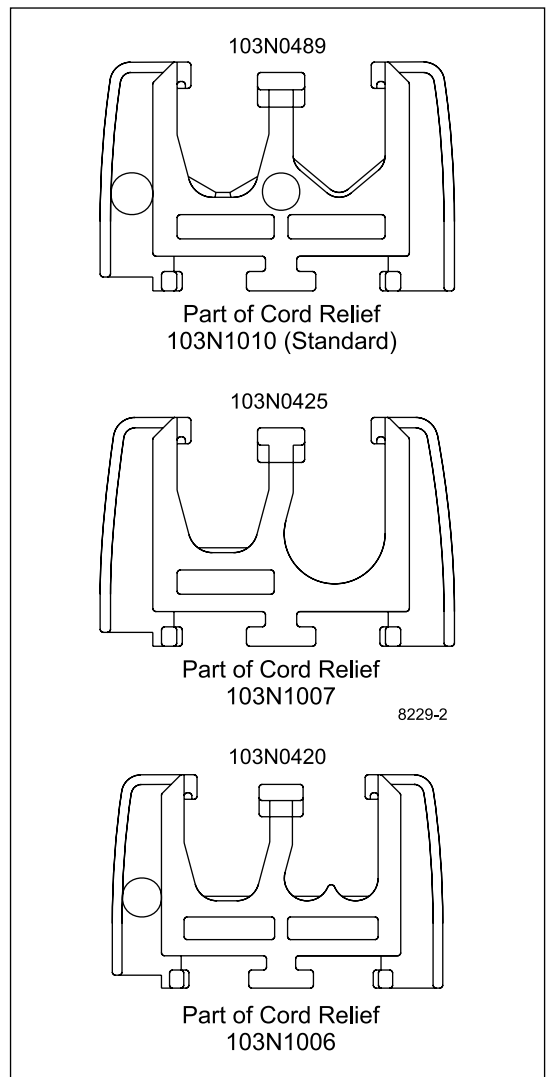


Fig. Cable fixtures for Secop P / T / D / N / F / S-Series compressors

**Secop GmbH**  
Mads-Clausen-Str. 7  
24939 Flensburg  
Germany  
Tel: +49 461 4941 0

[www.secop.com](http://www.secop.com)

Secop can accept no responsibility for possible errors in catalogues, brochures and other printed material. Secop reserves the right to alter its products without notice. This also applies to products already on order provided that such alterations can be made without subsequential changes being necessary in specifications already agreed. All trademarks in this material are property of the respective companies. Secop and the Secop logotype are trademarks of Secop GmbH. All rights reserved