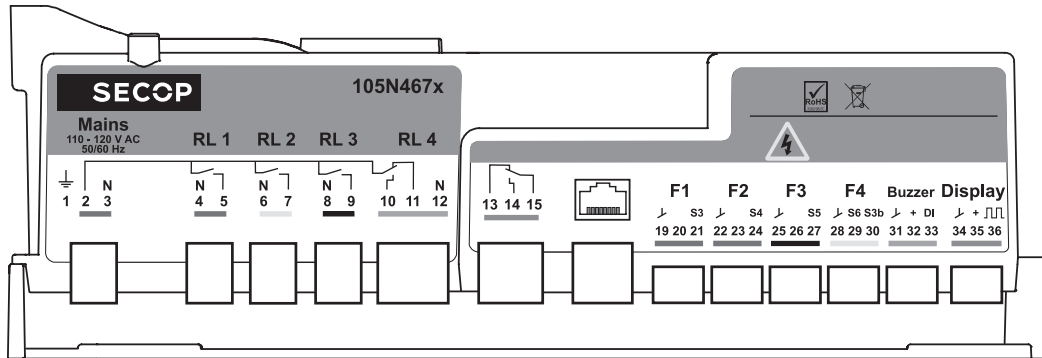


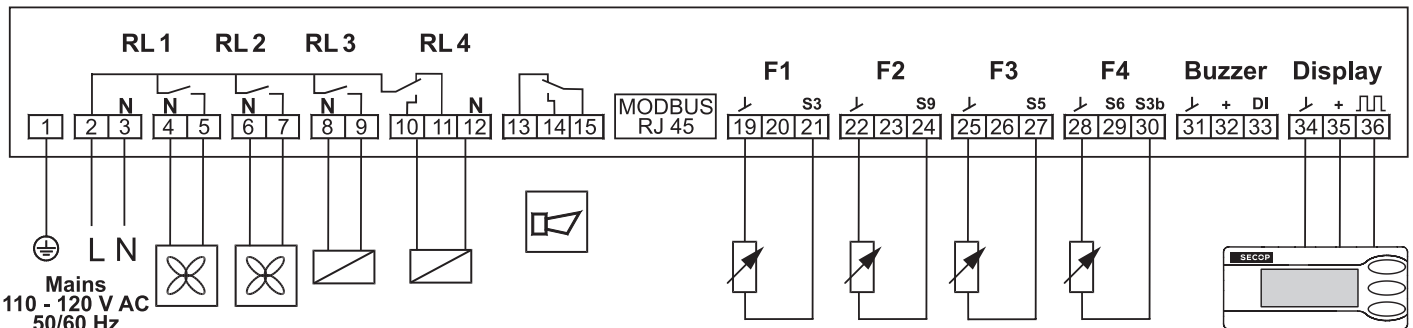
Instructions

SLV Compressors
110-120V 50/60Hz
105N467x
Series Controllers

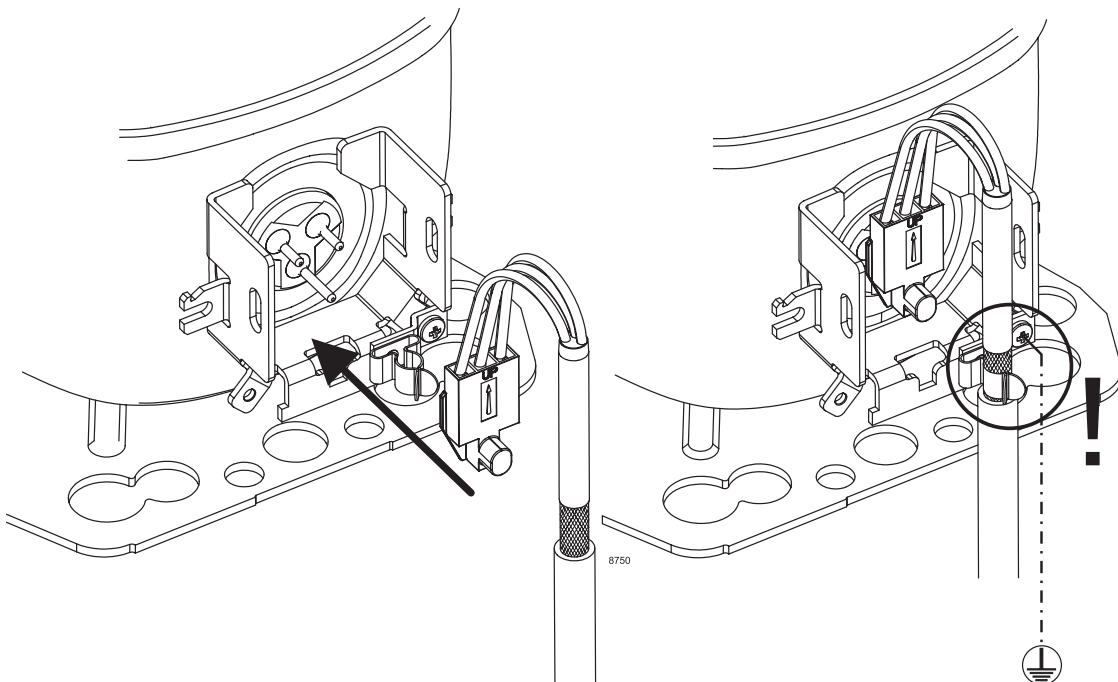
SECCP

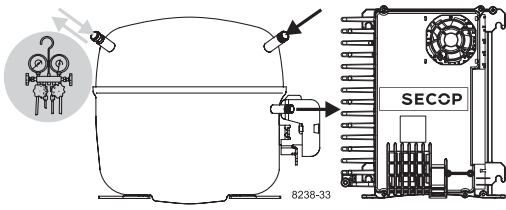


8731-8



Mains	red	S3	red
RL 1	blue	S4	blue
RL 2	yellow	S5	yellow
RL 3	black	S6	black
RL 4	grey	DI	grey
RL 5	green	Display	green





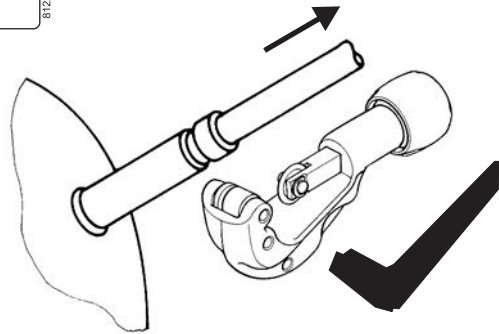
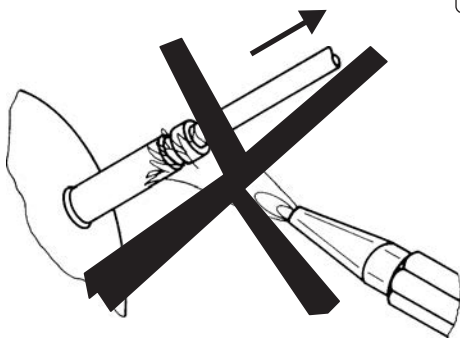
Instructions

SLV Compressors
110-120V 50/60Hz
105N467x
Series Controllers

SECCP

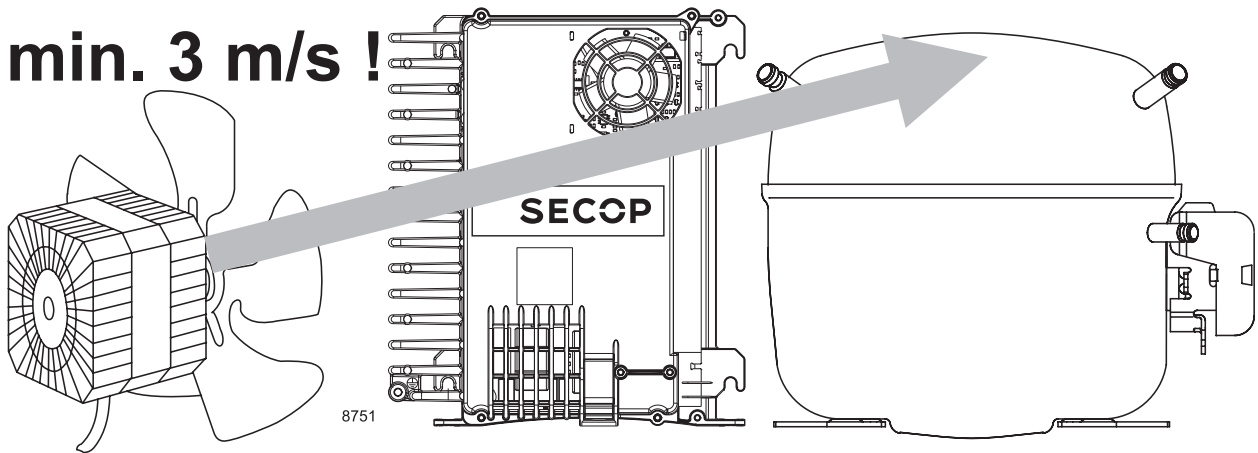


Service/Repair – R290



8545

min. 3 m/s !



Airflow	3 m/s
Operating conditions	-14 °F to 109 °F - humidity < 90 % rH non condensing
Operating conditions	41 °C to 109 °F - humidity < 90 % rH non condensing
Storage conditions	-4 °F to 158 °F - humidity < 90 % rH non condensing
Supply voltage	115 V (+15 % / - 20 %)
Frequency	50/60 Hz
Input power rating	1000 W at 115 V (+15 % / - 20 %)

Secop accepts no responsibility for possible errors in catalogs, brochures, and other printed material. Secop reserves the right to alter its products without notice. This also applies to products already on order provided that such alterations can be made without subsequent changes being necessary to specifications already agreed. All trademarks in this material are the property of the respective companies. Secop and the Secop logotype are trademarks of Secop GmbH. All rights reserved. www.secop.com