

## Single Pack NLE14LNDX 220-240V 50Hz CSCR

Single pack code number: **195B4835**

Position	Title	Code	Amount
1	Compressor NLE14LNDX	105H7402	1
2	Start equipment NLE	117U8201	1
3	Starting capacitor (80µF 260V)	117U5353	1
4	Run Capacitor (10µF 450V, 6.3mm)	117-7166	1
5	Run capacitor bracket	117-0314	1
6	Cover NLE	117U1038	1
7	Cord relief	103N1007	1
8	Screw for bracket M4x8mm	117-0301	1
9	Bolt joint for one compressor   M6   ø16mm	118-1917	1

Secop GmbH • Lise-Meitner-Straße 29 • 24941 Flensburg, Germany • Tel: +49 461 4941 0 • [www.secop.com](http://www.secop.com)

Secop accepts no responsibility for possible errors in catalogs, brochures, and other printed material. Secop reserves the right to alter its products without notice. This also applies to products already on order provided that such alterations can be made without subsequent changes being necessary to specifications already agreed. All trademarks in this material are the property of the respective companies. Secop and the Secop logotype are trademarks of Secop GmbH. All rights reserved.

## Model

Designation	<b>NLE14LNDX</b>	220-240V/50Hz 1~	Sales code:	<b>105H7402</b>
-------------	------------------	------------------	-------------	-----------------

## Compressor design

Oil type	Polyolester	Refrigerant(s)	<b>R290</b>
Oil viscosity	32cSt	Displacement	13,6cm <sup>3</sup> / 0,83cu.in
Oil quantity	298cm <sup>3</sup> / 10,1fl.oz	Compressors on pallet	
Refr. charge - tech. limit	300g / 10,6oz		
Free gas volume comp.	2360cm <sup>3</sup> / 79,8fl.oz		
Weight	11,8kg / 26lbs		
Motor protection	external		
Winding resistance main	7,5Ω (at 25°C)		
Winding resistance aux	12,9Ω (at 25°C)		
Max. winding temp.	125°C / 257°F		
Max. discharge temp.	130°C / 266°F		



## General - Configurations with NLE14LNDX

Conf. 1	
Motor configuration	CSCR
Power supply (nominal)	220-240V/50Hz
Number of phases	1
Voltage range	198-254V
Approvals	VDE
Starting torque	HST
Note	- / -

## Applications with NLE14LNDX

Conf. 1	
Refrigerant	R290
Application	LBP
System cooling	fan 3m/s
Hot gas defrost	OK
Long interval pull down	-/-

## Electrical data - Configurations with NLE14LNDX

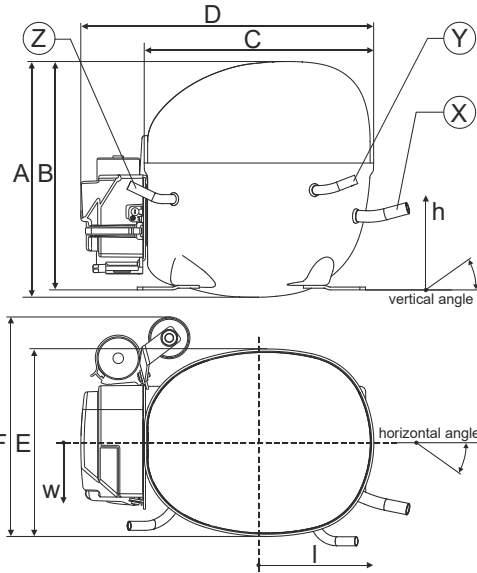
Conf. 1	
Starting device type	relay
Run capacitor	10μF
Start capacitor	80μF
LRA (locked rotor amps / 4s/ U(N))	16,7A
RLA (rated load amps / 1s/ U(N))	2,2A
Cut in current (U(N))	16,7A

## Model

Designation **NLE14LNDX**      220-240V/50Hz 1~      Sales code: **105H7402**

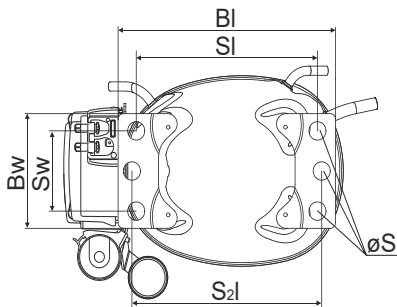
## Compressor dimensions

<b>Housing</b>	A Height	209mm / 8,23in
	B Height	203mm / 7,99in
	C Length shell	205mm / 8,07in
	D Length w. cover	262mm / 10,31in
	E Width	166mm / 6,54in



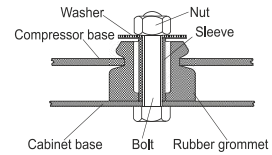
Connectors		Suction	Discharge	Process
		X	Y	Z
Diameter	[mm]	øi 8,11-8,29	øi 6,11-6,29	øi 6,11-6,29
(i:inside, o:outside)	[in]	øi 0,32-0,33	øi 0,24-0,25	øi 0,24-0,25
Material		copper	copper	copper
Horizontal angle	±2°	11°	0°	0°
Vertical angle	±2°	15°	21°	25°
Position l/h/w	[mm]	140/72/59	94/98/87	-109/93/74
	[in]	5,5/2,8/2,3	3,7/3,9/3,4	-4,3/3,7/2,9
Straight tube l.	[mm]	12	12	12
	[in]	0,5	0,5	0,5

## Compressor fixation

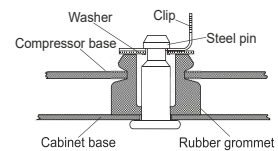


Baseplate	[mm]	[inch]
BI	204	8.03
Bw	100	3.94
Small holes		
	[mm]	[inch]
SI	170	6.7
Sw	70	2.76
S2l	178	7
øS	ø 16	ø 0.63

### Bolt joint



### Snap-on



## Mounting accessories

	one comp.	multi pack
Bolt joint   M6   ø16mm	118-1917	118-1918
Bolt joint   ø1/4"   ø16mm	118-1946	
Snap-on   ø7,3   ø16mm	118-1947	118-1919

## Application notes

Provision for PE Grounding is located at the PE Stamp on the compressor

## Model

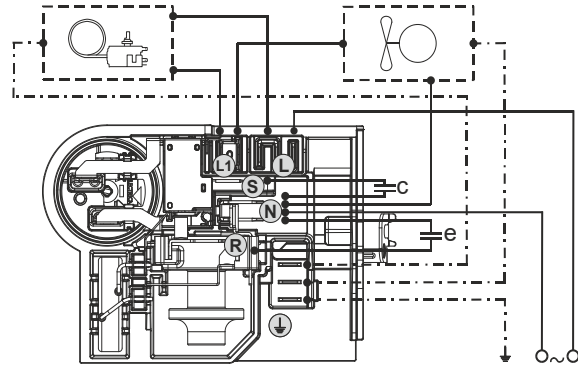
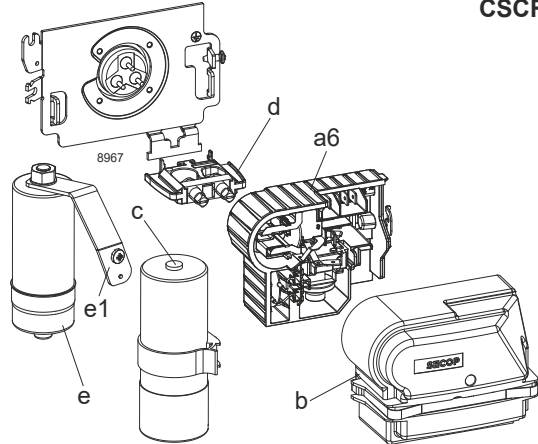
Designation **NLE14LNDX** **220-240V/50Hz** Conf. 1 Sales code: **105H7402**

## Configuration

Motor configuration **CSCR**  
 Power supply (nominal) **220-240V/50Hz 1~**  
 Refrigerant **R290**  
 Application **LBP**  
 Voltage range **198-254V**  
 Starting torque **HST**  
 Approvals **VDE**

## Electrical accessories / wiring diagram

**CSCR**



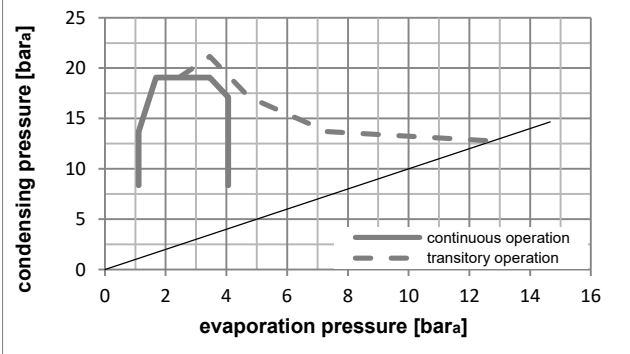
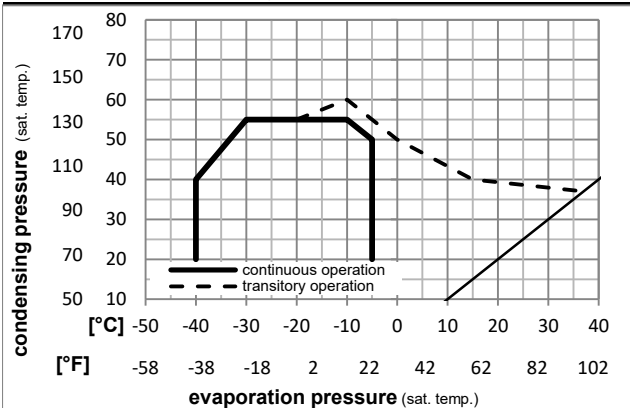
## Ambient/ machine room temperatures minimum /maximum

Ambient temperature range: **10 - 43°C / 50 - 110°F**

Machine room temperature range: **10 - 48°C / 50 - 119°F**

Compressor cooling: **fan 3m/s**

## Operation pressure range



## Components

- |    |                                      |          |
|----|--------------------------------------|----------|
| a6 | NL starter kit                       | 117U8201 |
| c  | start capacitor (80µF)               | 117U5353 |
| e  | run cap (10µF, 6.3mm,c.length 280mm) | 117-7166 |
| b  | cover terminal board + clamp         | 117U1038 |
| e1 | retaining clamp                      | 117-0314 |
|    | screw M4x8mm                         | 117-0301 |
| d  | cord relief                          | 103N1007 |

## Model

Designation **NLE14LNDX** **220-240V/50Hz** Conf. 1 Sales code: **105H7402**

## Optimization + standard conditions

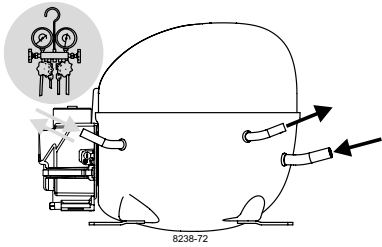
R290, 220V/50Hz, CSCR, fan 3m/s, VDE

	pe	pc	RGT	Tliq	Cooling capacity	COP	EER	P1	I	m	
	[°C]	[°C]	[°C]	[°C]	[W]	[W/W]	[Btu/Wh]	[W]	[A]	[kg/h]	
ASHRAE LBP	-23	54	32	32	713,5	1,68	5,73	425,1	2,03	7,23	
	[°F]	[°F]	[°F]	[°F]	[Btu/h]	[kcal/h]	[kcal/Wh]	[W]	[A]	[kg/h]	
	-10	130	90	90	2437	1,68	5,73	425,1	2,03	7,23	
cecomaf LBP	-25	55	32	55	537,4	1,31	4,47	410,6	1,97	6,69	
	[°F]	[°F]	[°F]	[°F]	[W]	[W/W]	[Btu/Wh]	[W]	[A]	[kg/h]	
	-13	131	90	131	1835	1,31	4,47	410,6	1,97	6,69	
EN12900 LBP	-35	40	20	40	401,1	1,35	4,61	297,2	1,51	4,58	
	[°F]	[°F]	[°F]	[°F]	[W]	[W/W]	[Btu/Wh]	[W]	[A]	[kg/h]	
	-31	104	68	104	1370	1,35	4,61	297,2	1,51	4,58	
ARI540 LBP	-23	49	4,4	49	573,5	1,40	4,78	409,7	1,96	7,94	
	[°F]	[°F]	[°F]	[°F]	[W]	[W/W]	[Btu/Wh]	[W]	[A]	[kg/h]	
	-10	120	40	120	1959	1,40	4,78	409,7	1,96	7,94	
AHAM LBP	-23	41	32	32	752,0	1,96	6,68	384,6	1,85	7,61	
	[°F]	[°F]	[°F]	[°F]	[W]	[W/W]	[Btu/Wh]	[W]	[A]	[kg/h]	
	-10	105	90	90	2568	1,96	6,68	384,6	1,85	7,61	
opt	-35	45	32	45	385,6	1,26	4,31	305,4	1,54	4,32	
	[°F]	[°F]	[°F]	[°F]	[W]	[W/W]	[Btu/Wh]	[W]	[A]	[kg/h]	
	-31	113	90	113	1317	1,26	4,31	305,4	1,54	4,32	

## Performance tables

R290, 220V/50Hz, CSCR, fan 3m/s, VDE

	pe		Cooling capacity			COP	EER	P1	I	m	
	[°C]	[°F]	[W]	[Btu/h]	[kcal/h]	[W/W]	[Btu/Wh]	[kcal/Wh]	[W]	[A]	[kg/h]
[°C / °F]	-40	-40	293,1	1001	252,3	1,10	3,75	0,94	267,2	1,41	3,28
cond. pressure	-35	-31	385,6	1317	331,8	1,26	4,31	1,09	305,4	1,54	4,32
pc= 45/113	-30	-22	493,5	1685	424,7	1,43	4,89	1,23	344,9	1,69	5,55
return gas temp.	-25	-13	618,6	2113	532,4	1,61	5,49	1,38	385,0	1,85	6,98
RGT= 32/90	-20	-4	762,7	2605	656,4	1,80	6,13	1,54	424,9	2,03	8,64
liquid temp	-15	5	927,5	3168	798,2	2,00	6,83	1,72	463,7	2,21	10,55
Tliq= 45/113	-5	23	1326,2	4529	1141,4	2,48	8,46	2,13	535,4	2,54	15,27
[°C / °F]	-40	-40	241,7	825	208,0	0,87	2,97	0,75	277,6	1,44	2,98
cond. pressure	-35	-31	327,0	1117	281,4	1,02	3,50	0,88	319,3	1,59	4,04
pc= 55/131	-30	-22	425,0	1451	365,7	1,17	3,99	1,01	363,9	1,77	5,27
return gas temp	-25	-13	537,4	1835	462,5	1,31	4,47	1,13	410,6	1,97	6,69
RGT= 32/90	-20	-4	666,0	2274	573,1	1,45	4,96	1,25	458,7	2,19	8,33
liquid temp	-15	5	812,5	2775	699,2	1,60	5,47	1,38	507,5	2,41	10,22
Tliq= 55/131	-5	23	1166,3	3983	1003,8	1,93	6,60	1,66	603,6	2,85	14,86



8238-72

# NLE Plus Compressors

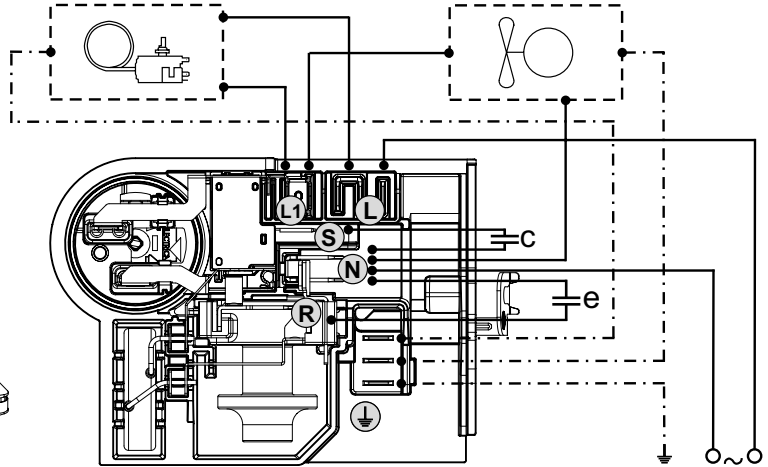
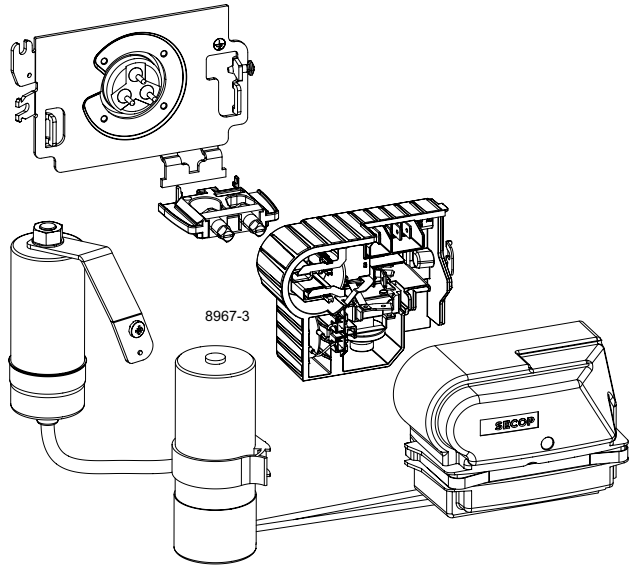


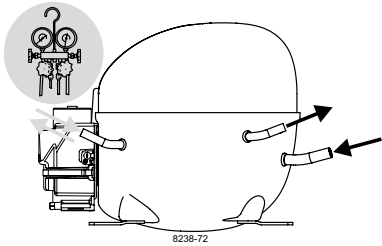
Keep electrical equipment clear from oil, chemicals, and water



When operated with a flammable refrigerant, only spark-proof starting equipment is allowed.

## CSCR





# NLE Plus Compressors



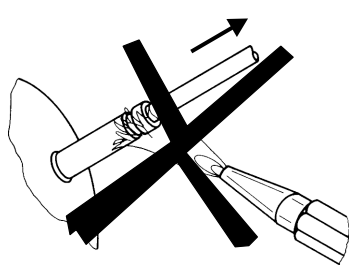
Keep electrical equipment clear from oil, chemicals, and water



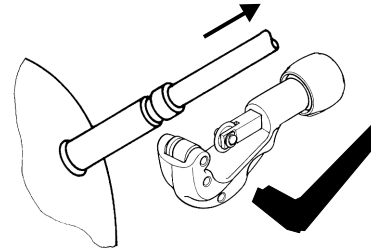
When operated with a flammable refrigerant, only spark-proof starting equipment is allowed.



## Service/Repair – R290, R600a, R170, R1270, R1234yf (applies to all flammable refrigerants)



8545



**Dismantling, recycling, disposal:** At the end of a compressor's lifecycle, proceed by separating and storing components according to their environmental impact. Parts that may cause pollution must be clearly identified and handled separately, ensuring appropriate disposal. Refrigerant gas must not be released into the environment and should be recovered by qualified operators. Compressor oil must also be collected separately. The compressor should be disposed of at specialized disposal centers in accordance with the applicable regulations. **Subject to modifications/alterations. [www.seccp.com](http://www.seccp.com)**