

## Single Pack NLV15CN 100-240V 50/60Hz

Single pack code number: **195B4837**

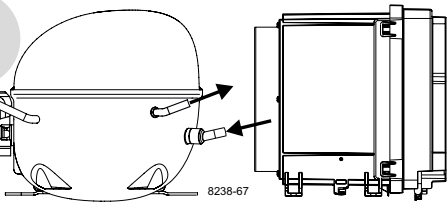
Position	Title	Code	Amount
1	Compressor NLV15CN	105H7520	1
2	Electronic unit NLV	105N4965	1
3	Cover	103N2008	1
4	Bolt joint for one compressor   M6   ø16mm	118-1917	1

**Secop GmbH** • Lise-Meitner-Straße 29 • 24941 Flensburg, Germany • Tel: +49 461 4941 0 • [www.secop.com](http://www.secop.com)

---

Secop accepts no responsibility for possible errors in catalogs, brochures, and other printed material. Secop reserves the right to alter its products without notice. This also applies to products already on order provided that such alterations can be made without subsequent changes being necessary to specifications already agreed. All trademarks in this material are the property of the respective companies. Secop and the Secop logotype are trademarks of Secop GmbH. All rights reserved.

---

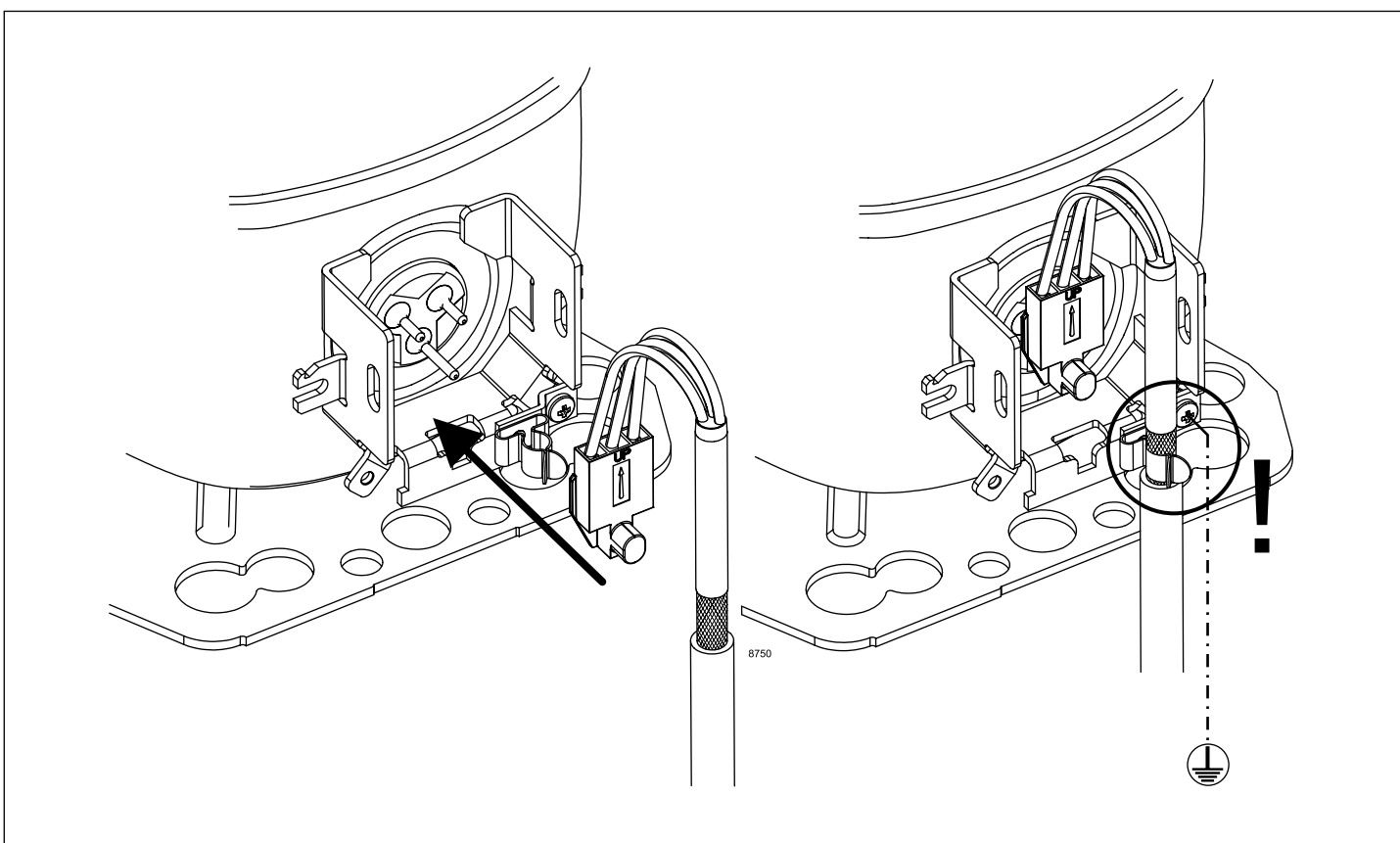
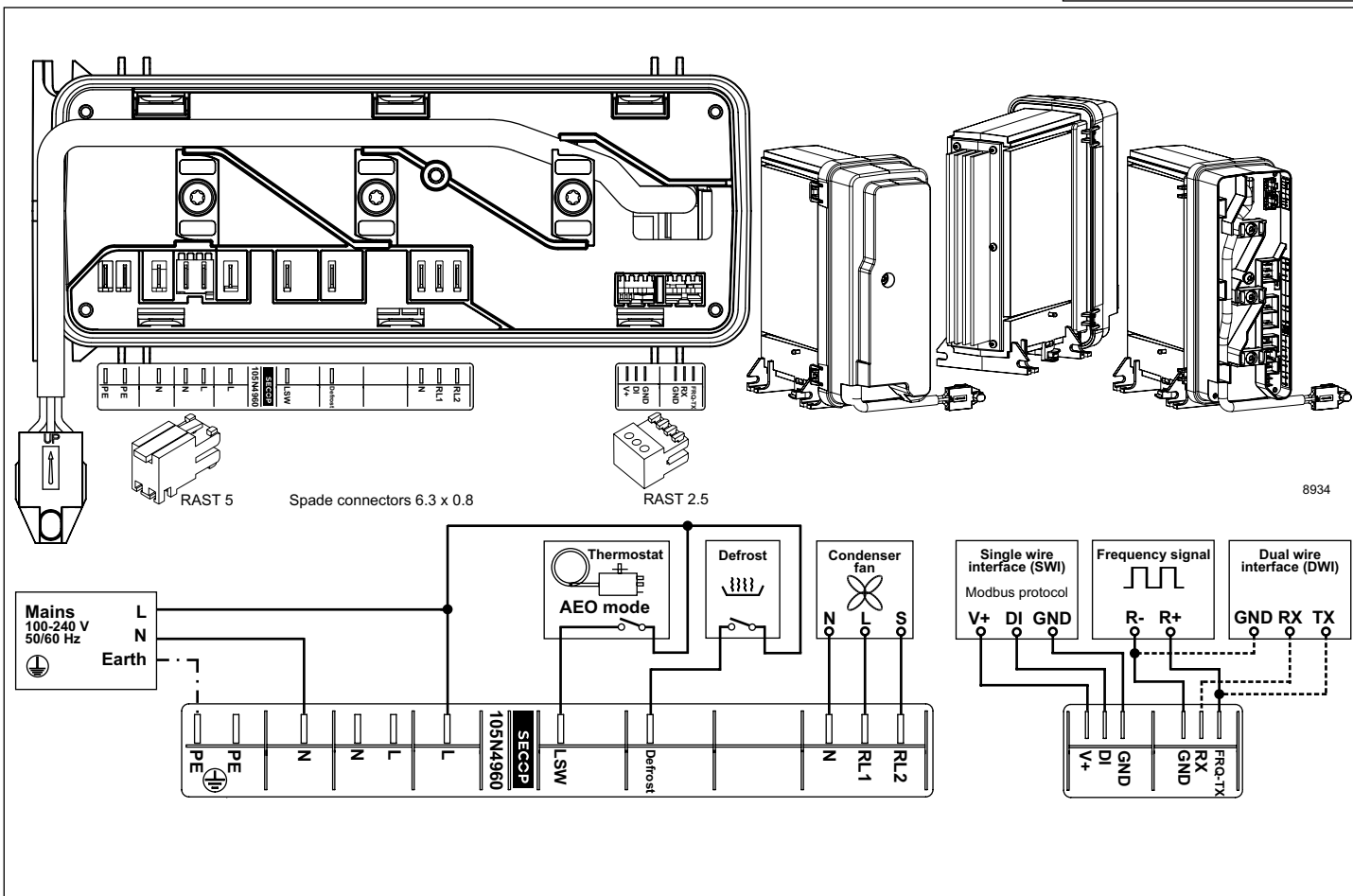


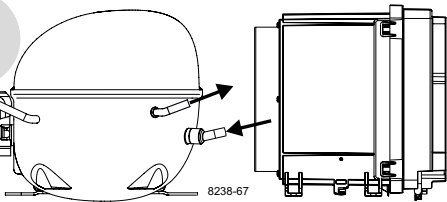
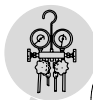
# Instructions

NLV/MN-UV Compressors  
100-240 V, 50/60 Hz  
105N4960/105N4964  
Controllers

# SECCP

Keep electrical equipment clear from oil, chemicals, and water





# Instructions

NLV/MN-UV Compressors  
100-240 V, 50/60 Hz  
105N4960/105N4964  
Controllers

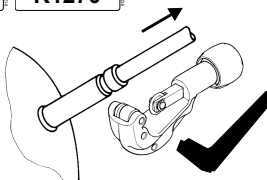
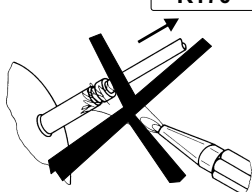
# SECCOP

Keep electrical equipment clear from oil, chemicals, and water



## Service/Repair – R170, R290, R1270

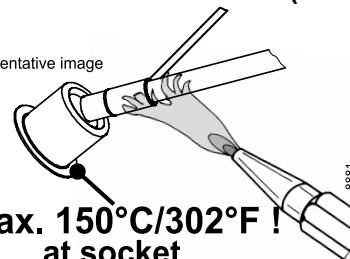
(applies to all flammable refrigerants)



8545

## Brazing on Suction Connectors (Direct Intake)

representative image

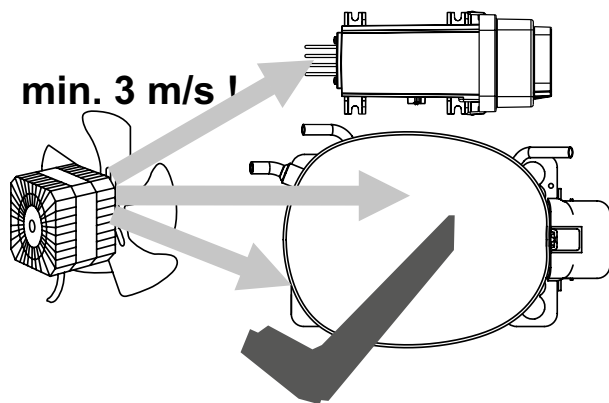


**! max. 150°C/302°F !  
at socket**

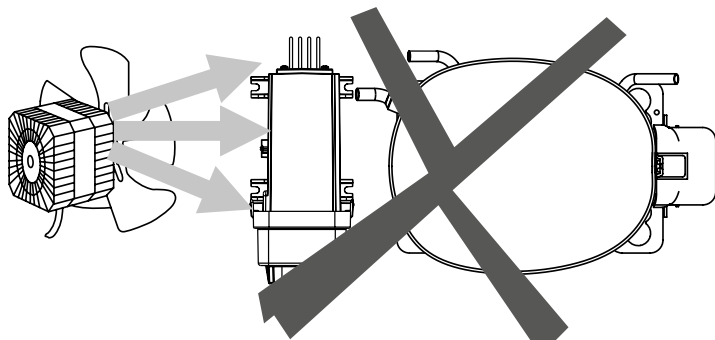
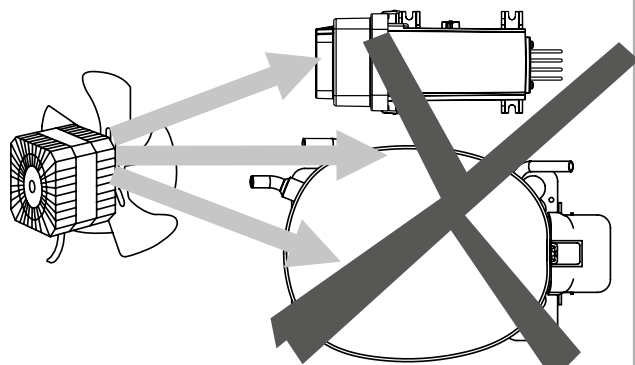
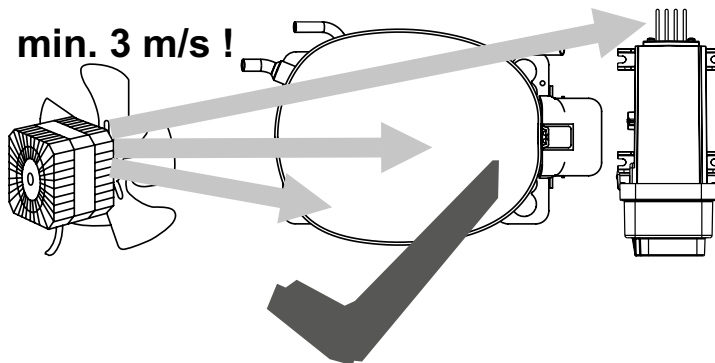
brazing solder: phosphor (LP7) or silver

Refer to Product Bulletin: **Brazing on Suction Connectors (Compressors with Direct Suction Intake)**

min. 3 m/s !



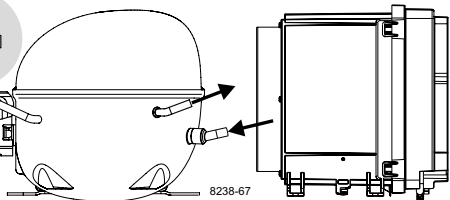
min. 3 m/s !



8938

<b>Airflow</b>	3 m/s
<b>Operating conditions</b>	+ 5 °C to 43 °C - humidity < 90 % rH non condensing
<b>Storage conditions</b>	-25 °C to 70 °C - humidity < 90 % rH non condensing
<b>Supply voltage</b>	100-240 V (± 10 %)
<b>Frequency</b>	50/60 Hz
<b>Input power, max.</b>	1000 W

**Dismantling, recycling, disposal:** At the end of a compressor's lifecycle, proceed by separating and storing components according to their environmental impact. Parts that may cause pollution must be clearly identified and handled separately, ensuring appropriate disposal. Refrigerant gas must not be released into the environment and should be recovered by qualified operators. Compressor oil must also be collected separately. The compressor should be disposed of at specialized disposal centers in accordance with the applicable regulations. **Subject to modifications/alterations. [www.secop.com](http://www.secop.com)**

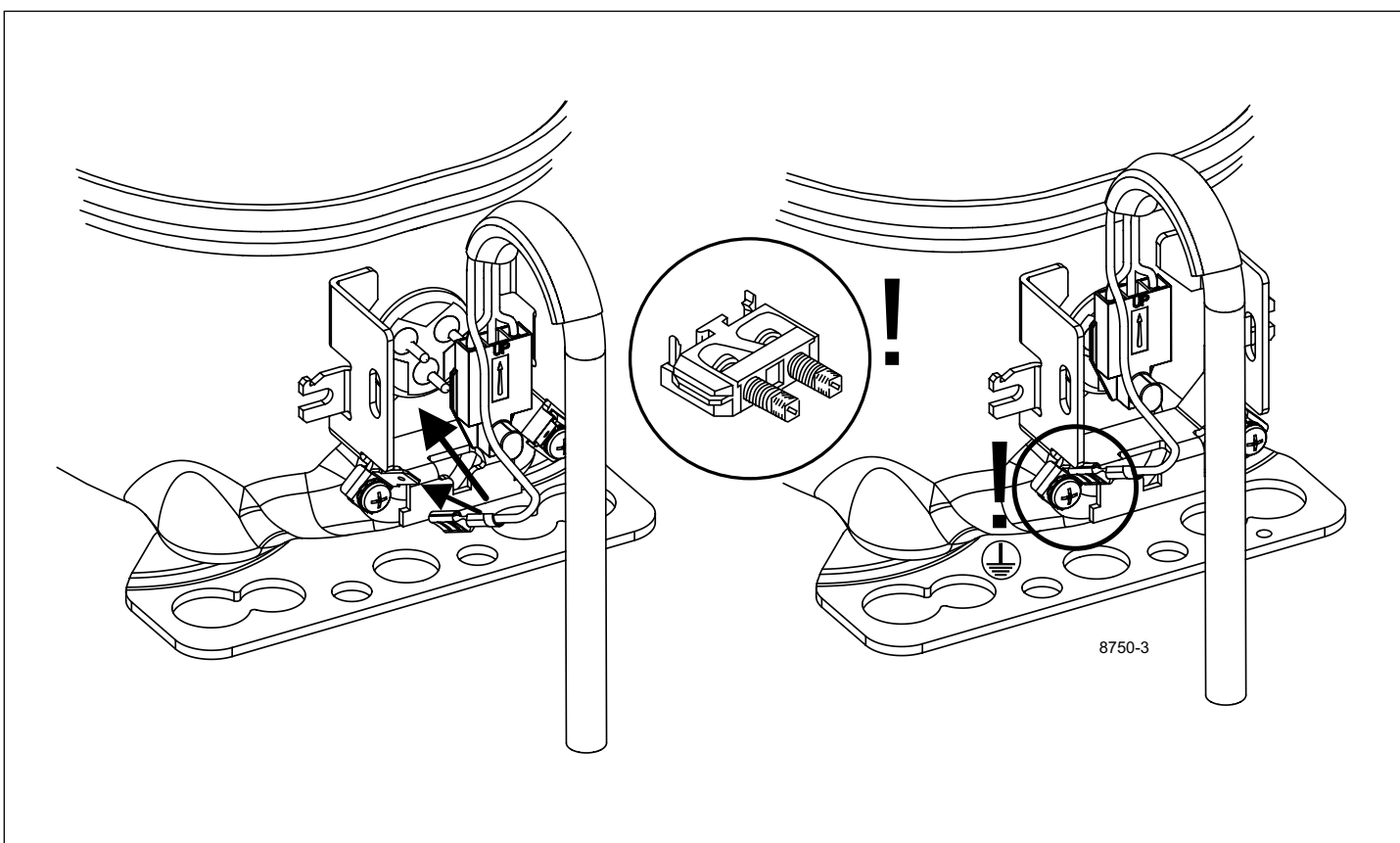
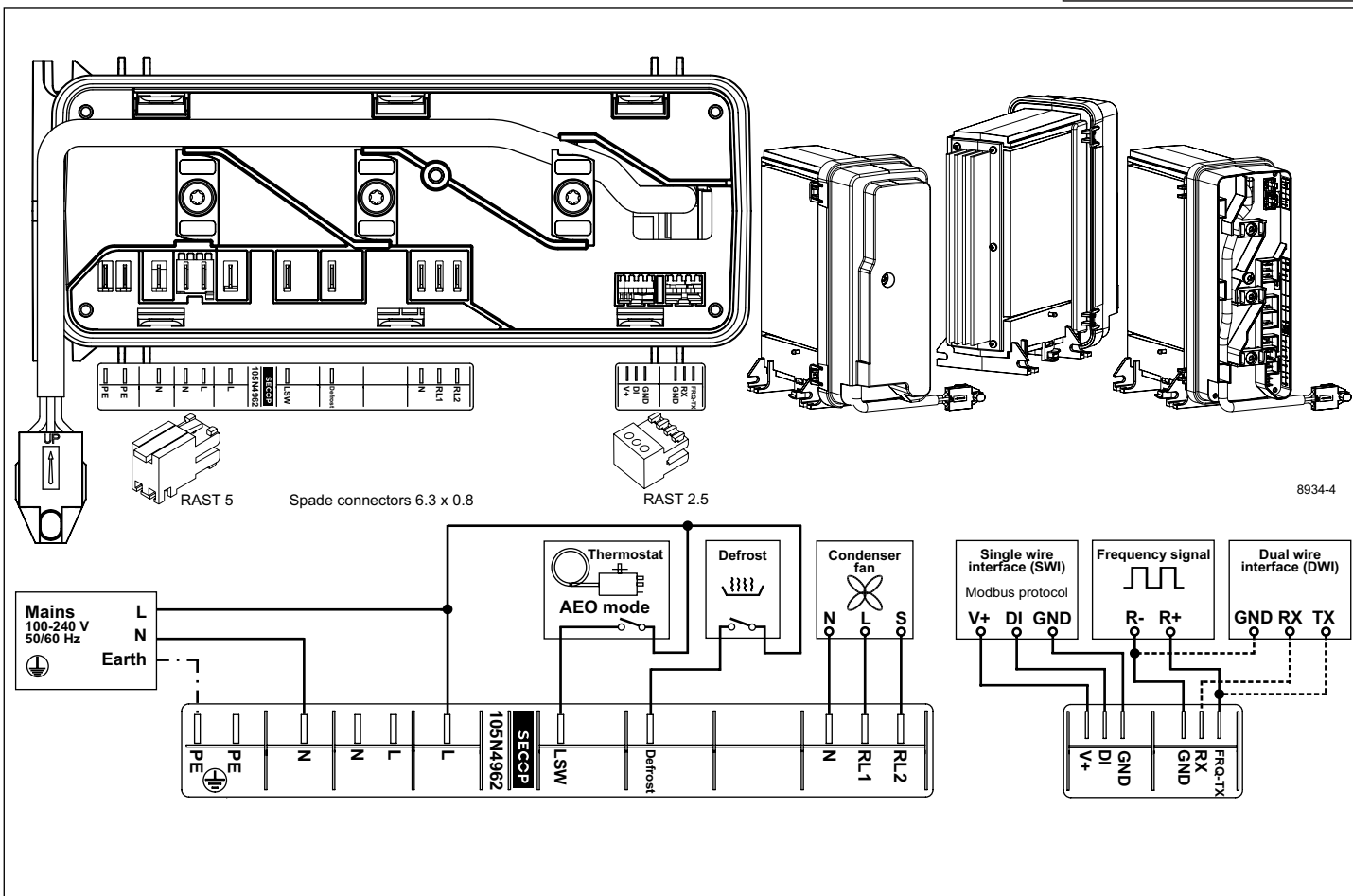


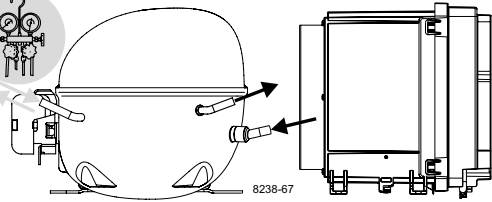
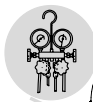
# Instructions

NLV/MN-UV Compressors  
 100-240 V, 50/60 Hz  
 105N4962/105N4966/  
 105N4972 Controllers

# SECCP

Keep electrical equipment clear from oil, chemicals, and water





# Instructions

NLV/MN-UV Compressors  
100-240 V, 50/60 Hz  
105N4962/105N4966/  
105N4972 Controllers

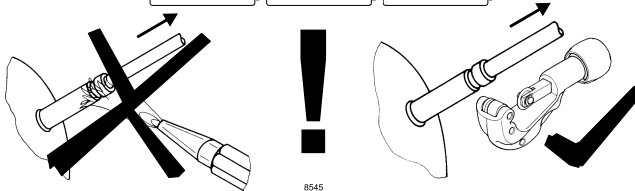
# SECCOP

Keep electrical equipment  
clear from oil, chemicals,  
and water



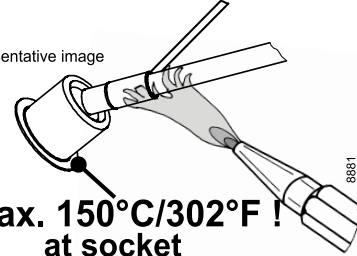
## Service/Repair – R170, R290, R1270

(applies to all flammable refrigerants)



## Brazing on Suction Connectors (Direct Intake)

representative image

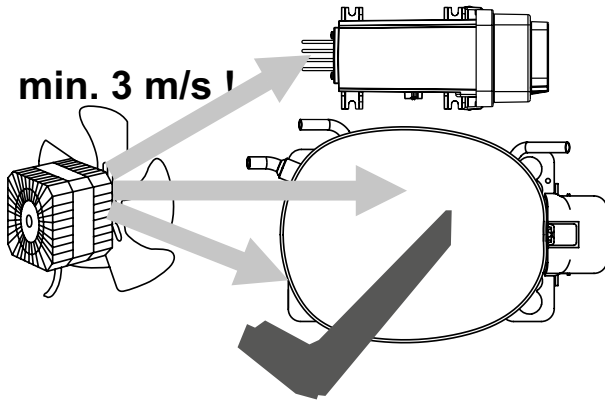


**! max. 150°C/302°F !  
at socket**

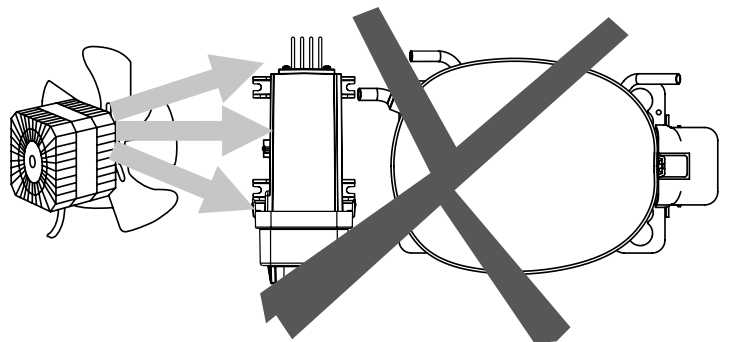
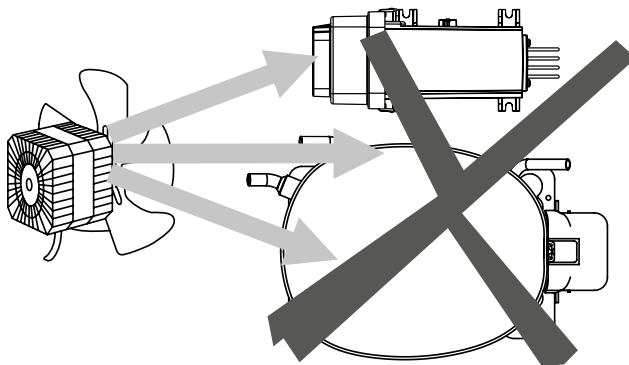
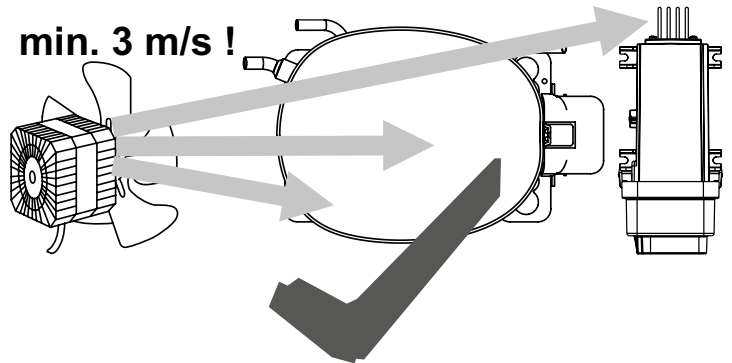
brazing solder: phosphor (LP7) or silver

Refer to Product Bulletin: **Brazing on Suction Connectors  
(Compressors with Direct Suction Intake)**

min. 3 m/s !



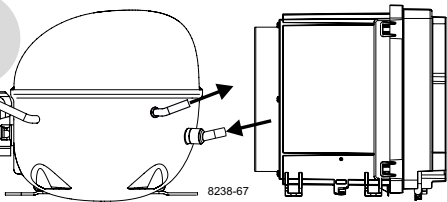
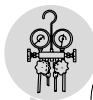
min. 3 m/s !



8938

<b>Airflow</b>	3 m/s
<b>Operating conditions</b>	+ 5 °C to 43 °C - humidity < 90 % rH non condensing
<b>Storage conditions</b>	-25 °C to 70 °C - humidity < 90 % rH non condensing
<b>Supply voltage</b>	100-240 V (± 10 %)
<b>Frequency</b>	50/60 Hz
<b>Input power, max.</b>	1000 W

**Dismantling, recycling, disposal:** At the end of a compressor's lifecycle, proceed by separating and storing components according to their environmental impact. Parts that may cause pollution must be clearly identified and handled separately, ensuring appropriate disposal. Refrigerant gas must not be released into the environment and should be recovered by qualified operators. Compressor oil must also be collected separately. The compressor should be disposed of at specialized disposal centers in accordance with the applicable regulations. **Subject to modifications/alterations. [www.seccop.com](http://www.seccop.com)**

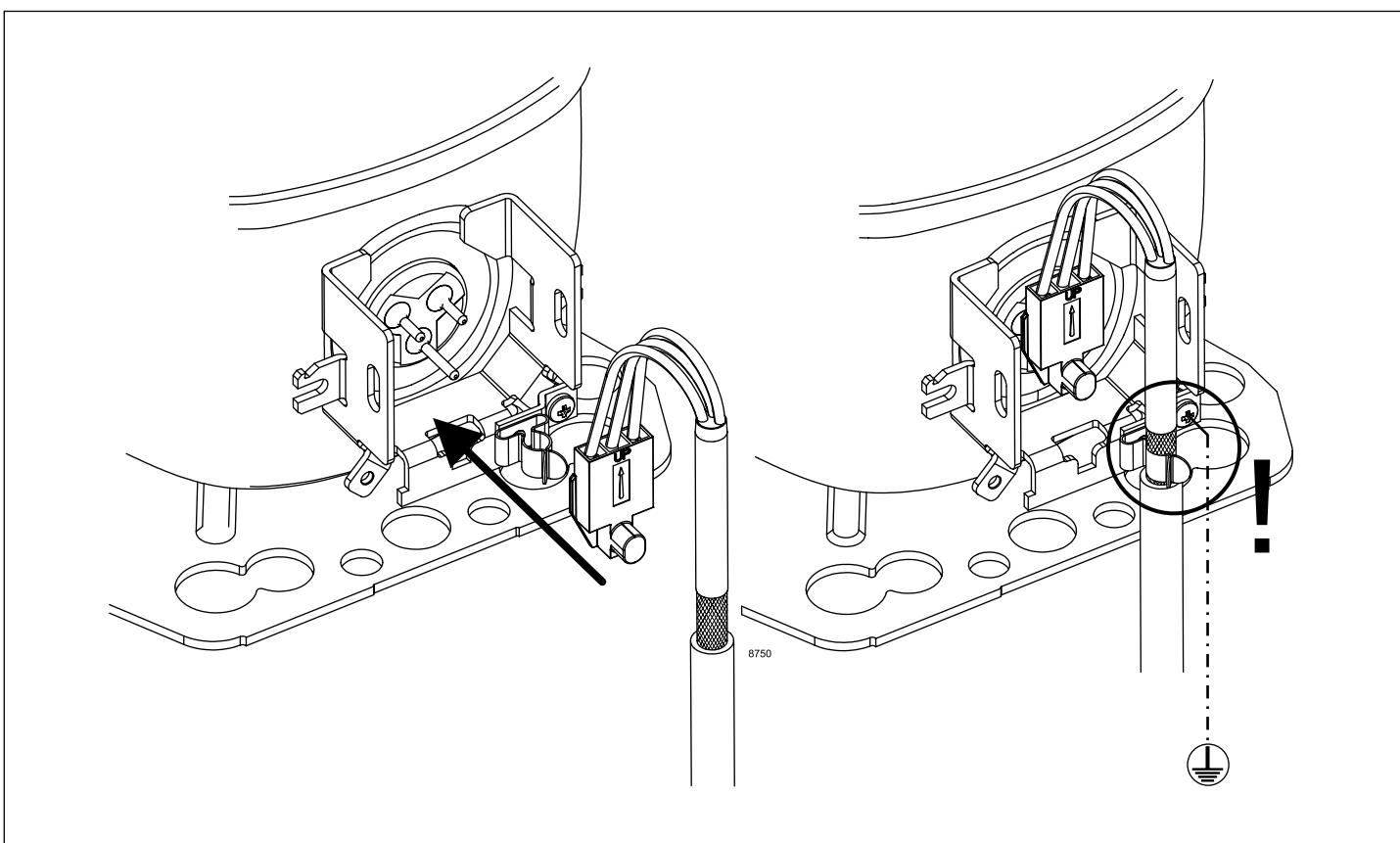
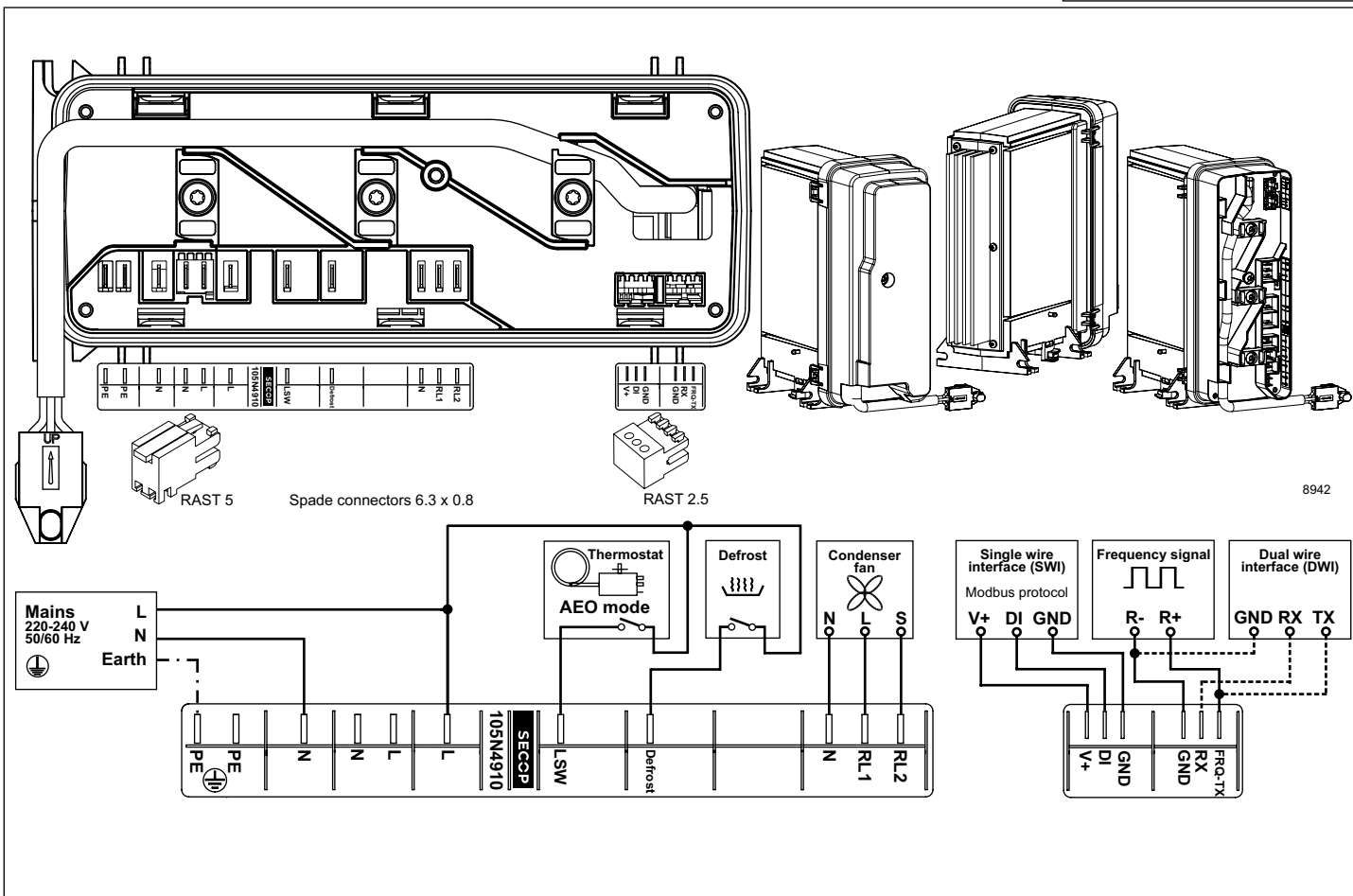


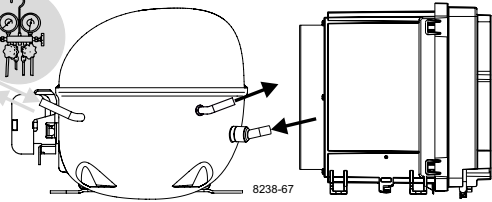
# Instructions

NLV/MN-UV Compressors  
220-240 V, 50/60 Hz  
105N491x Series  
Controllers

# SECCP

Keep electrical equipment clear from oil, chemicals, and water





# Instructions

NLV/MN-UV Compressors  
220-240 V, 50/60 Hz  
105N491x Series  
Controllers

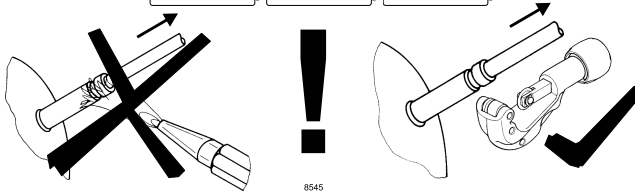
# SECCP

Keep electrical equipment clear from oil, chemicals, and water



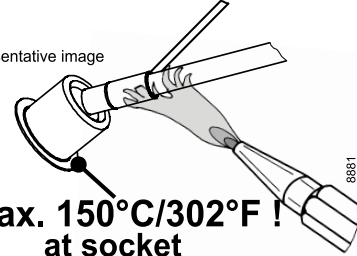
## Service/Repair – R170, R290, R1270

(applies to all flammable refrigerants)



## Brazing on Suction Connectors (Direct Intake)

representative image

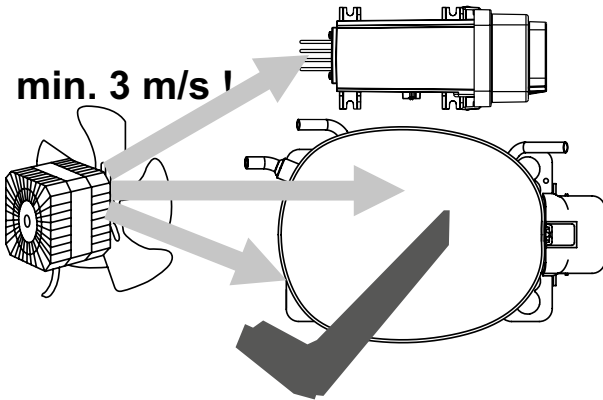


**! max. 150°C/302°F !  
at socket**

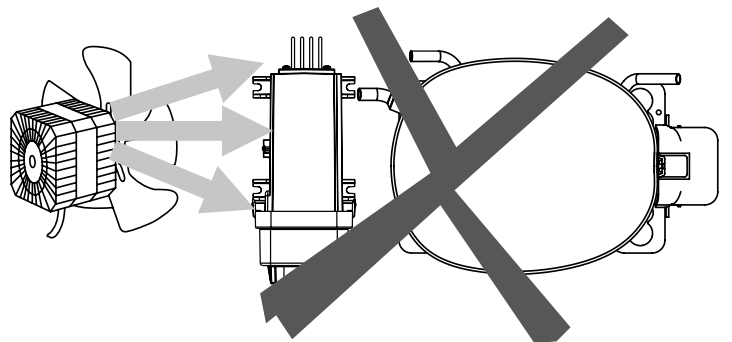
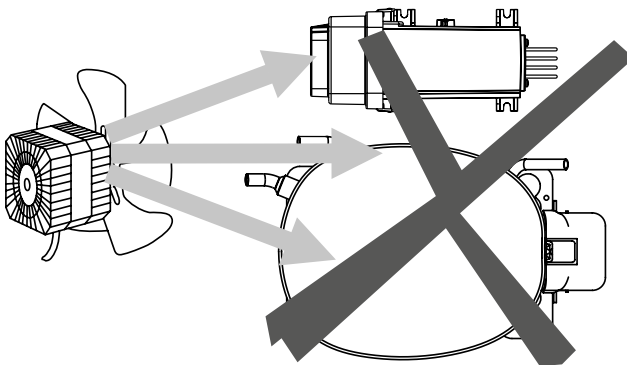
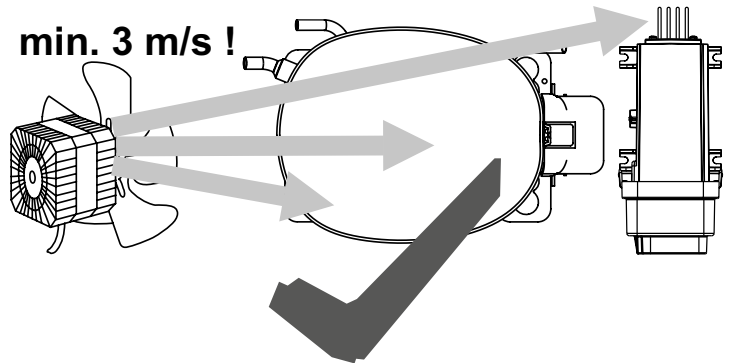
brazing solder: phosphor (LP7) or silver

Refer to Product Bulletin: **Brazing on Suction Connectors  
(Compressors with Direct Suction Intake)**

min. 3 m/s !



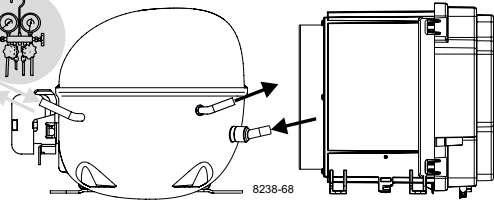
min. 3 m/s !



8938

<b>Airflow</b>	3 m/s
<b>Operating conditions</b>	+ 5 °C to 43 °C - humidity < 90 % rH non condensing
<b>Storage conditions</b>	-25 °C to 70 °C - humidity < 90 % rH non condensing
<b>Supply voltage</b>	220-240 V (± 10 %)
<b>Frequency</b>	50/60 Hz
<b>Input power, max.</b>	1000 W

**Dismantling, recycling, disposal:** At the end of a compressor's lifecycle, proceed by separating and storing components according to their environmental impact. Parts that may cause pollution must be clearly identified and handled separately, ensuring appropriate disposal. Refrigerant gas must not be released into the environment and should be recovered by qualified operators. Compressor oil must also be collected separately. The compressor should be disposed of at specialized disposal centers in accordance with the applicable regulations. **Subject to modifications/alterations. [www.seccp.com](http://www.seccp.com)**

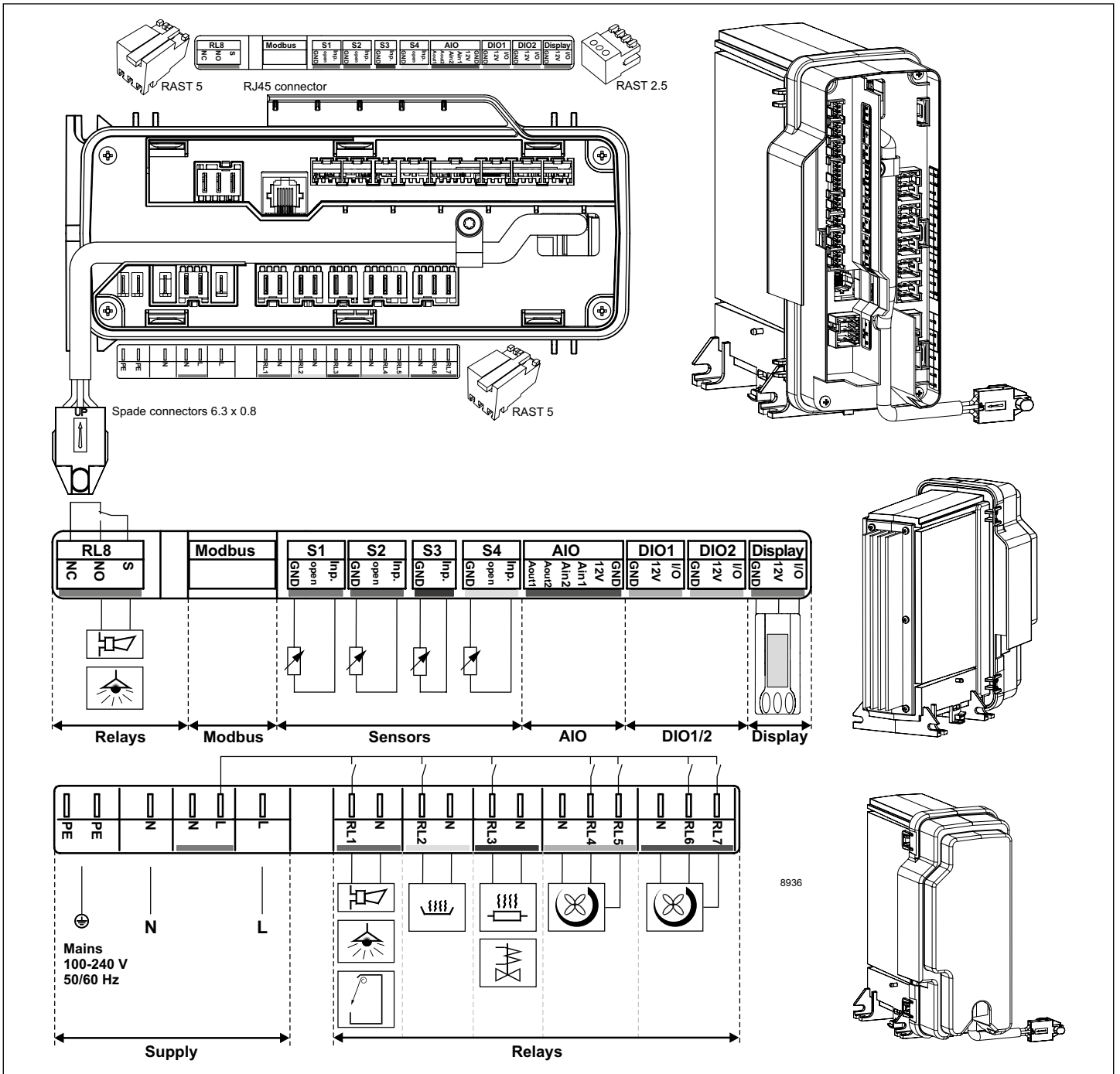


# Instructions

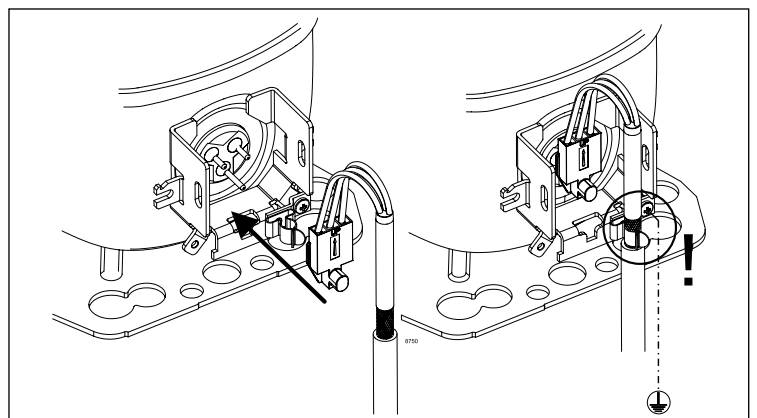
NLV Compressors  
100-240 V, 50/60 Hz  
105N486x Series  
Controllers

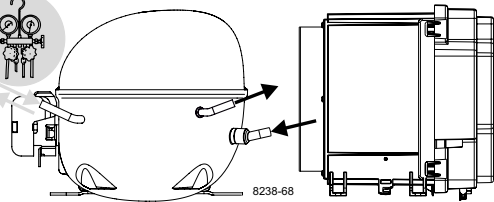
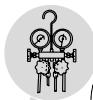
# SECCP

Keep electrical equipment clear from oil, chemicals, and water



<b>Mains</b>	red	<b>S1</b>	red
<b>RL 1</b>	blue	<b>S2</b>	blue
<b>RL 2</b>	yellow	<b>S3</b>	black
<b>RL 3</b>	black	<b>S4</b>	yellow
<b>RL 4, 5</b>	grey	<b>AIO</b>	brown
<b>RL 6, 7</b>	brown	<b>DIO1</b>	grey
<b>RL 8</b>	green	<b>DIO2</b>	pink
		<b>Display</b>	green





# Instructions

NLV Compressors  
100-240 V, 50/60 Hz  
105N486x Series  
Controllers

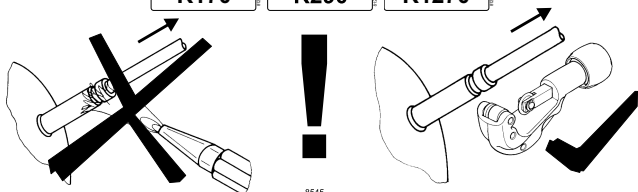
# SECCP

Keep electrical equipment clear from oil, chemicals, and water



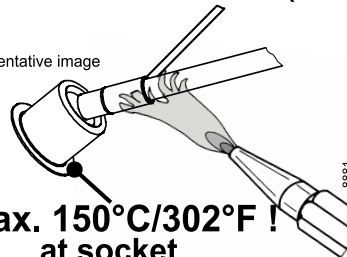
## Service/Repair – R170, R290, R1270

(applies to all flammable refrigerants)



## Brazing on Suction Connectors (Direct Intake)

representative image

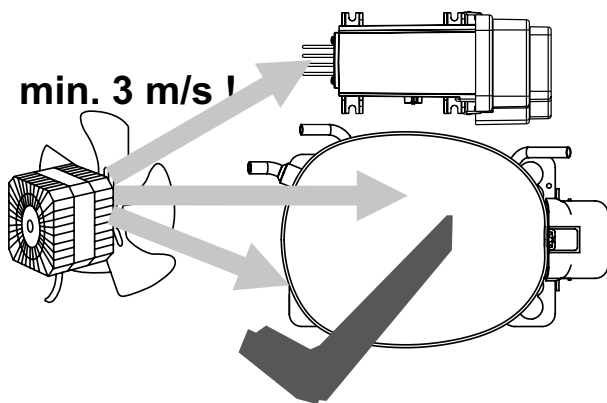


**! max. 150°C/302°F !  
at socket**

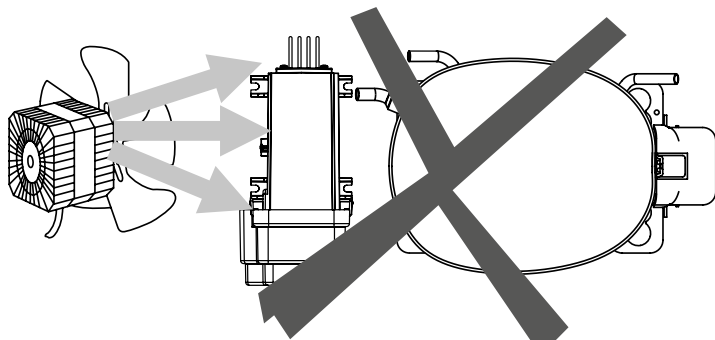
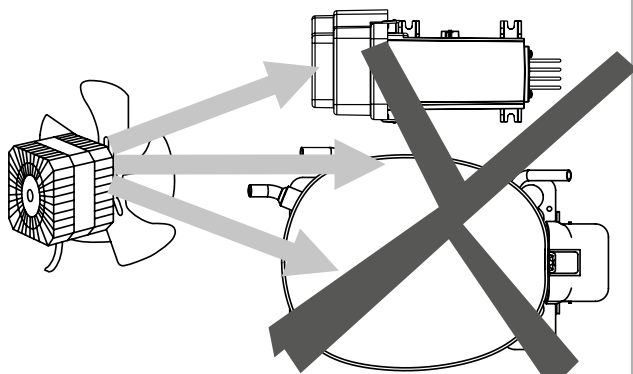
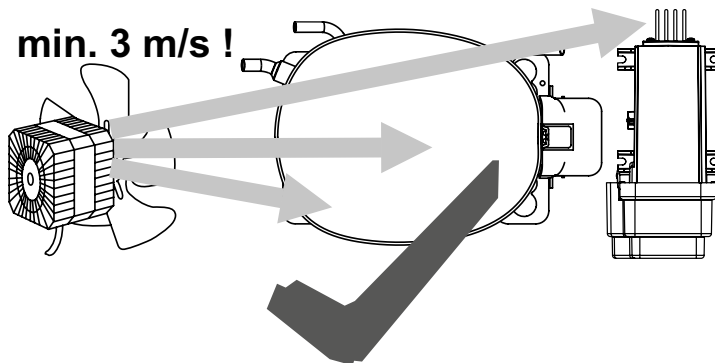
brazing solder: phosphor (LP7) or silver

Refer to Product Bulletin: **Brazing on Suction Connectors (Compressors with Direct Suction Intake)**

min. 3 m/s !



min. 3 m/s !



8939

<b>Airflow</b>	3 m/s
<b>Operating conditions</b>	+ 5 °C to 43 °C - humidity < 90 % rH non condensing
<b>Storage conditions</b>	-25 °C to 70 °C - humidity < 90 % rH non condensing
<b>Supply voltage</b>	100-240 V (± 10 %)
<b>Frequency</b>	50/60 Hz
<b>Input power, max.</b>	1000 W

**Dismantling, recycling, disposal:** At the end of a compressor's lifecycle, proceed by separating and storing components according to their environmental impact. Parts that may cause pollution must be clearly identified and handled separately, ensuring appropriate disposal. Refrigerant gas must not be released into the environment and should be recovered by qualified operators. Compressor oil must also be collected separately. The compressor should be disposed of at specialized disposal centers in accordance with the applicable regulations. **Subject to modifications/alterations. [www.seccp.com](http://www.seccp.com)**